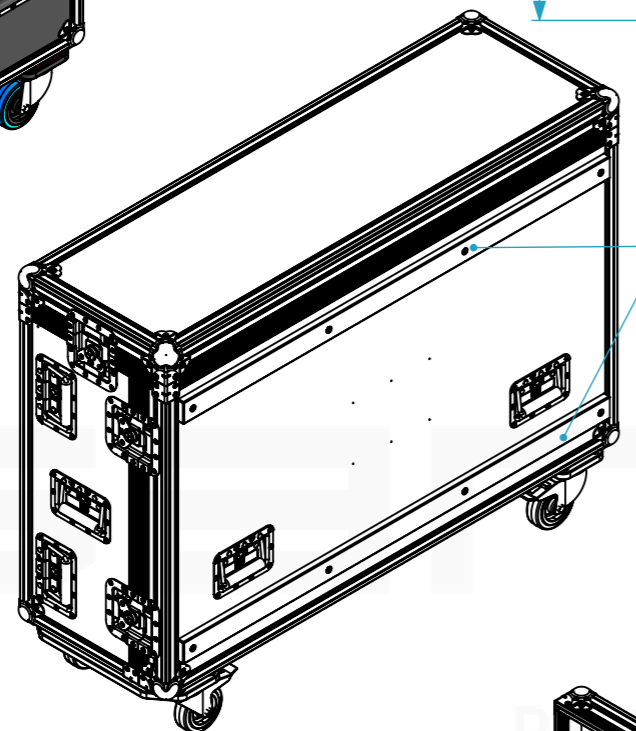
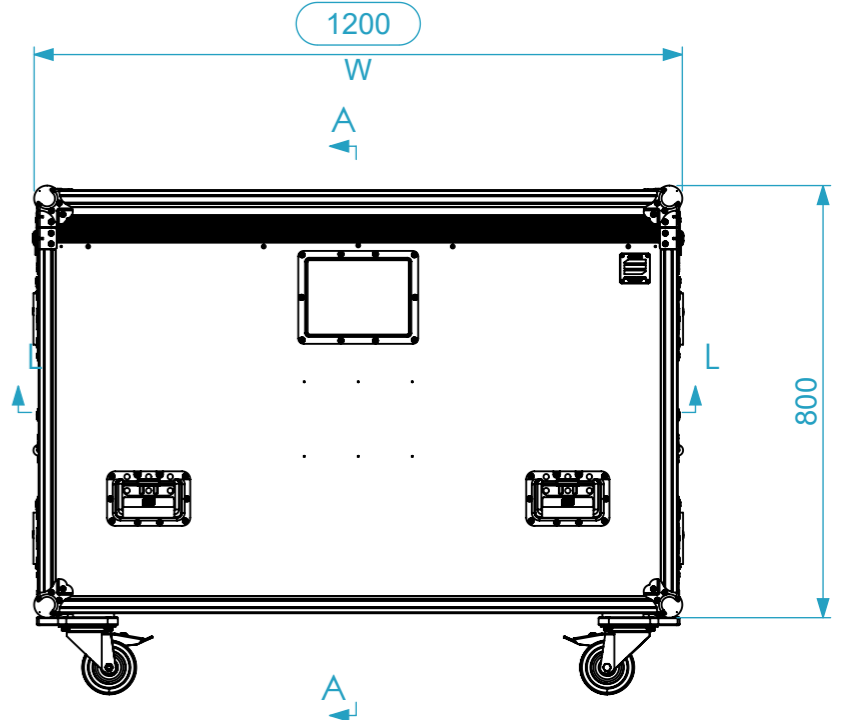
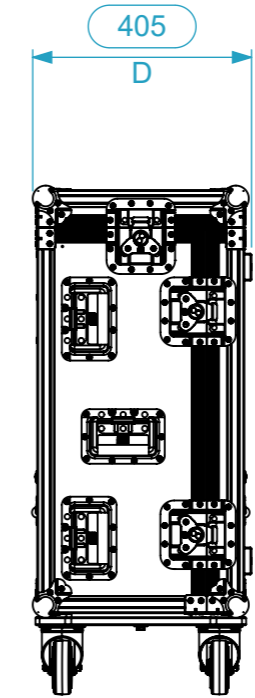
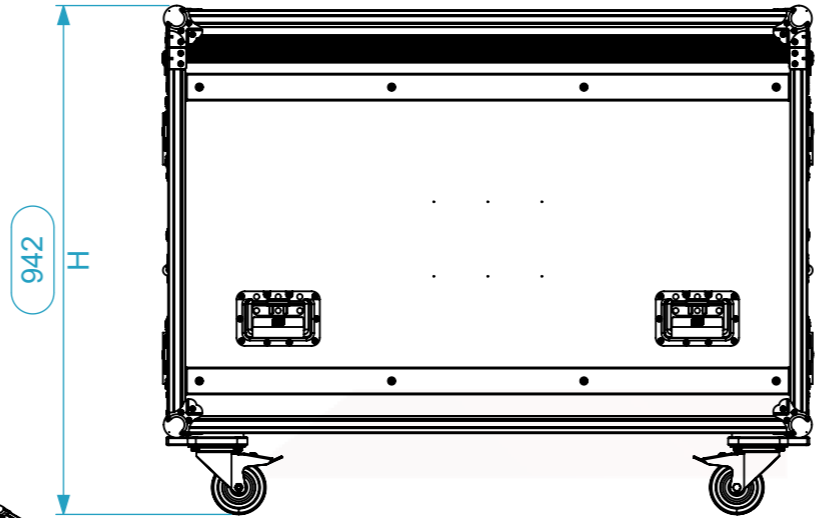
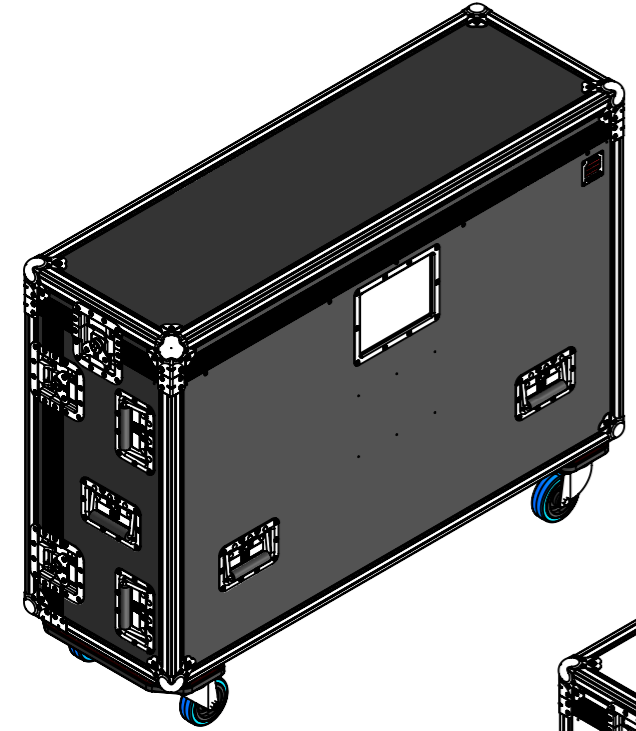
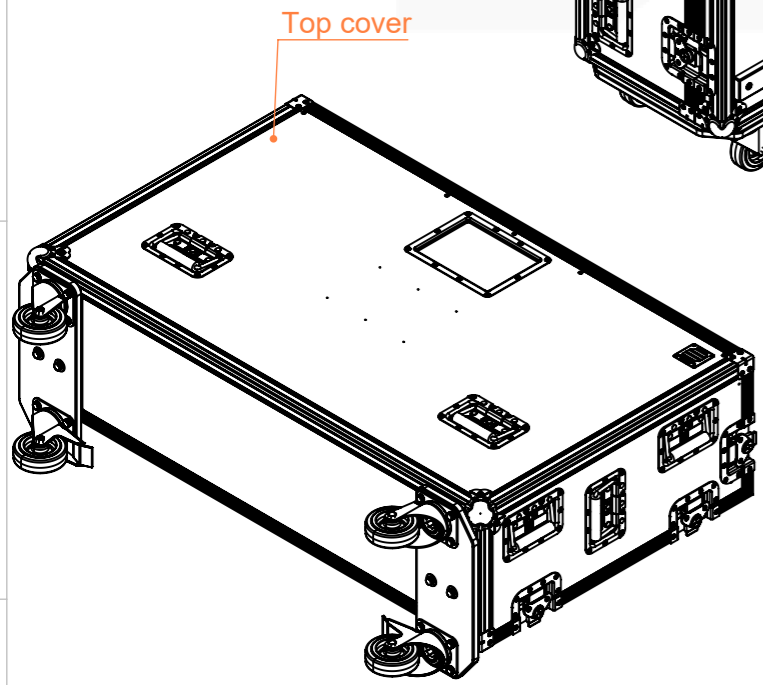


# Standard External Dimensions

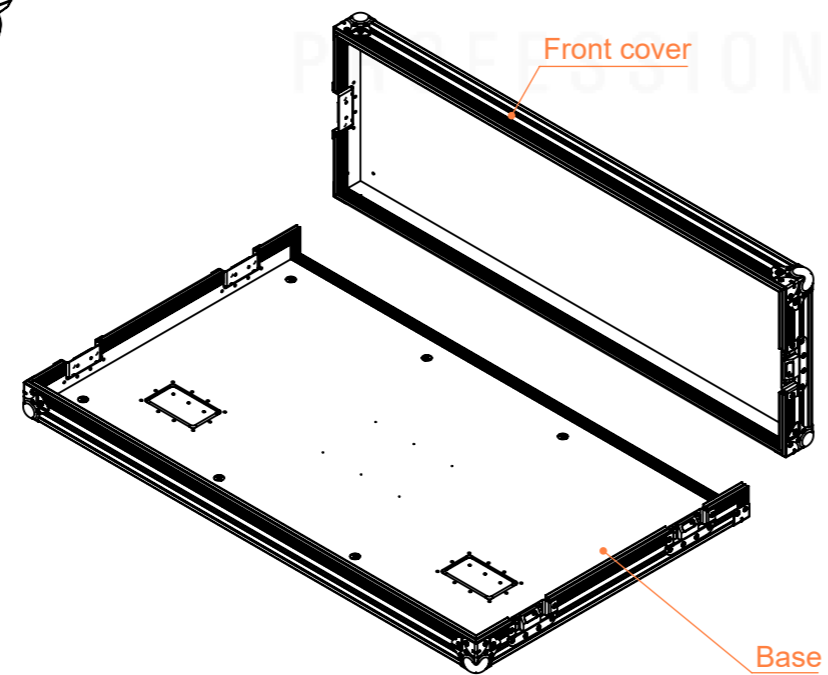
Width	Depth	Height
1200	800	400
Weight	Approx. 42 Kg	
Wall Thickness	10mm	



Feet made of wear-resistant PE-HD 500

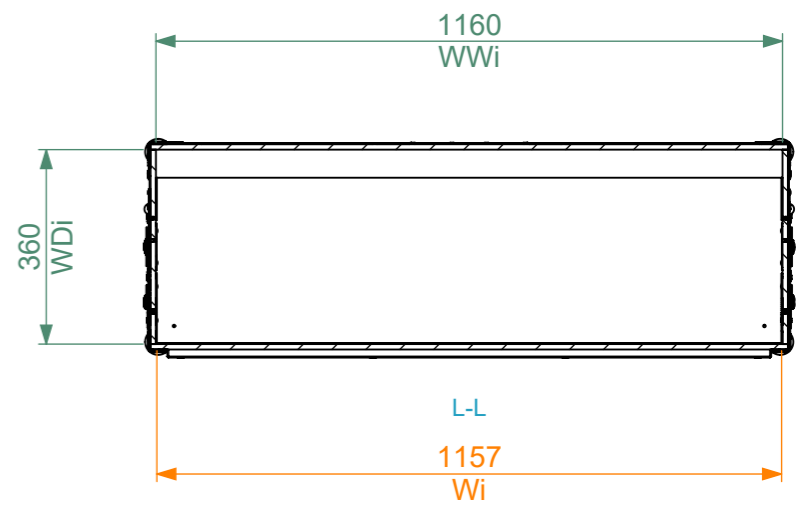
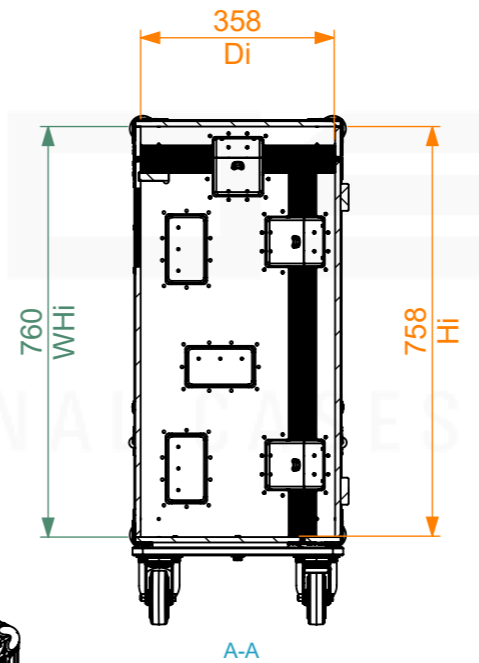


Top cover



Front cover

Base



General External Dimensions		Usable Inner Dimensions		Wood Inner Dimensions	
W	Width	Wi	Inside Width	WWi	Wood Inside Width
D	Depth	Di	Inside Depth	WDi	Wood Inside Depth
H	Height	Hi	Inside Height	WHi	Wood Inside Height

Name	Date
Drawn by: juan.baptista	23/05/2023
Reference: X13MR.1204080A	
Scale: 1:14	units in mm, general tolerance 0.8mm
1st Angle projection	
Flight case X13MR, para móvil IC5 120.40.80 (116x36x76 WID)	



This drawing must not be copied or disclosed without consent of the owner

A3