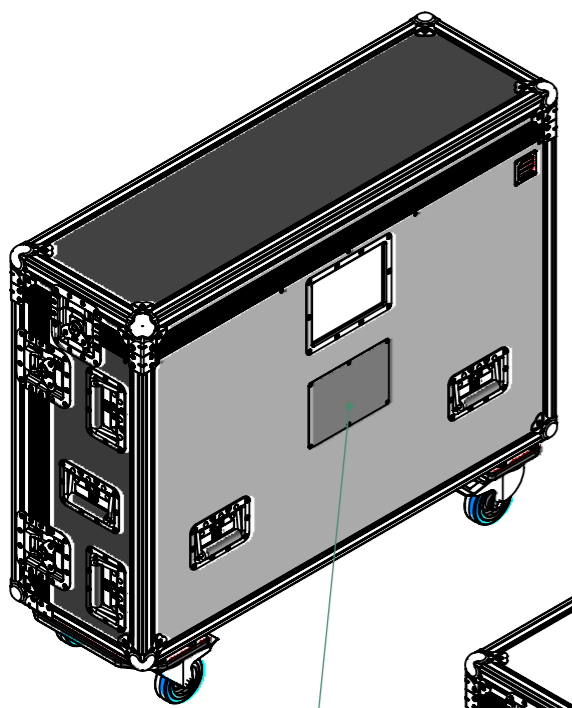
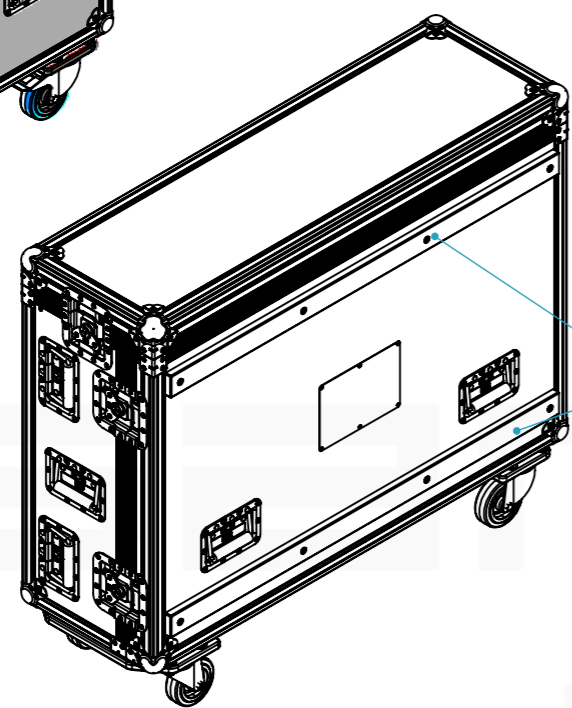


Standard External Dimensions

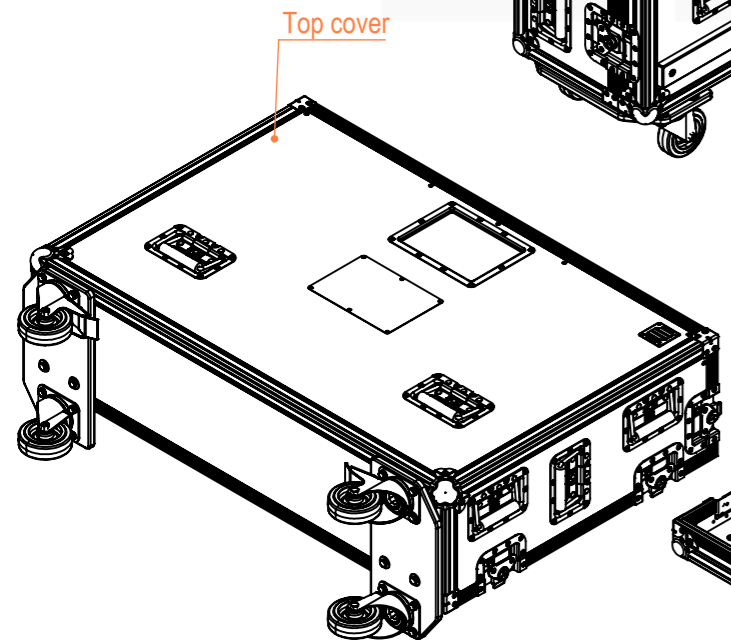
Width	Depth	Height
1100	800	360
Weight	Approx. 40 Kg	
Wall Thickness		10mm



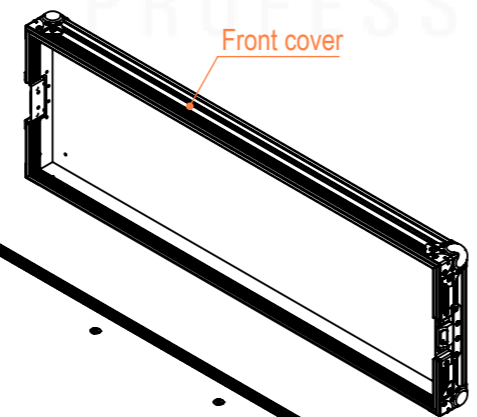
Optional printing plate



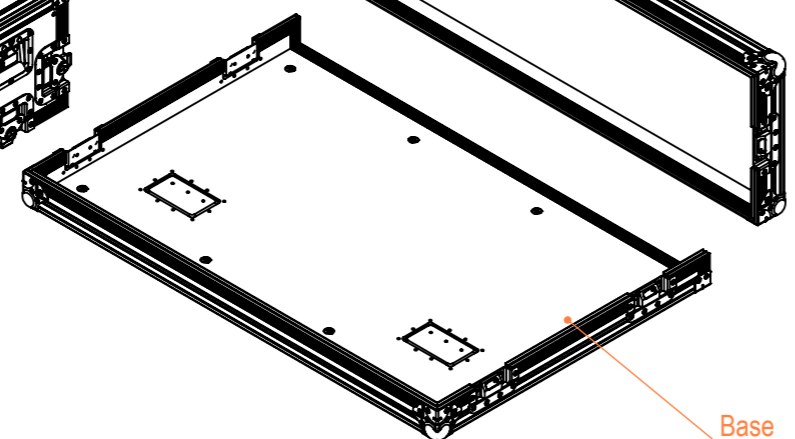
Plastic Feet



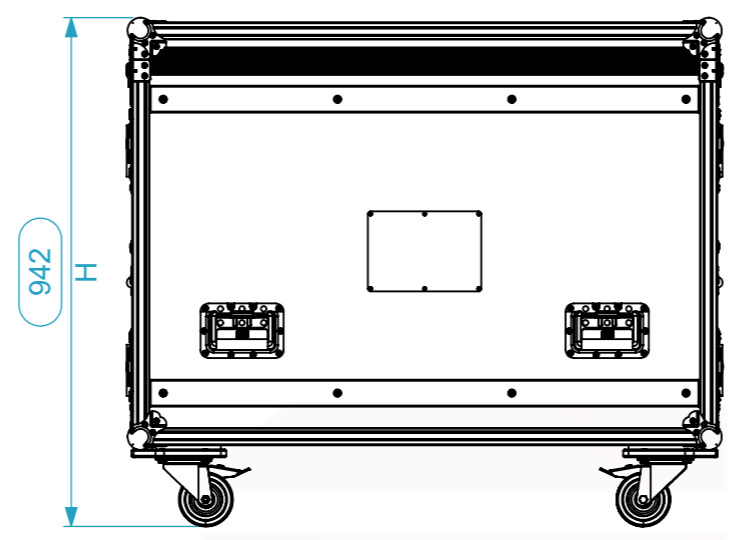
Top cover



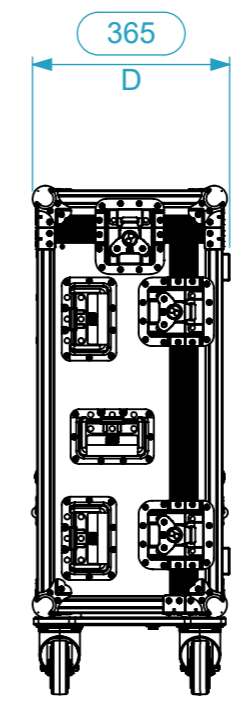
Front cover



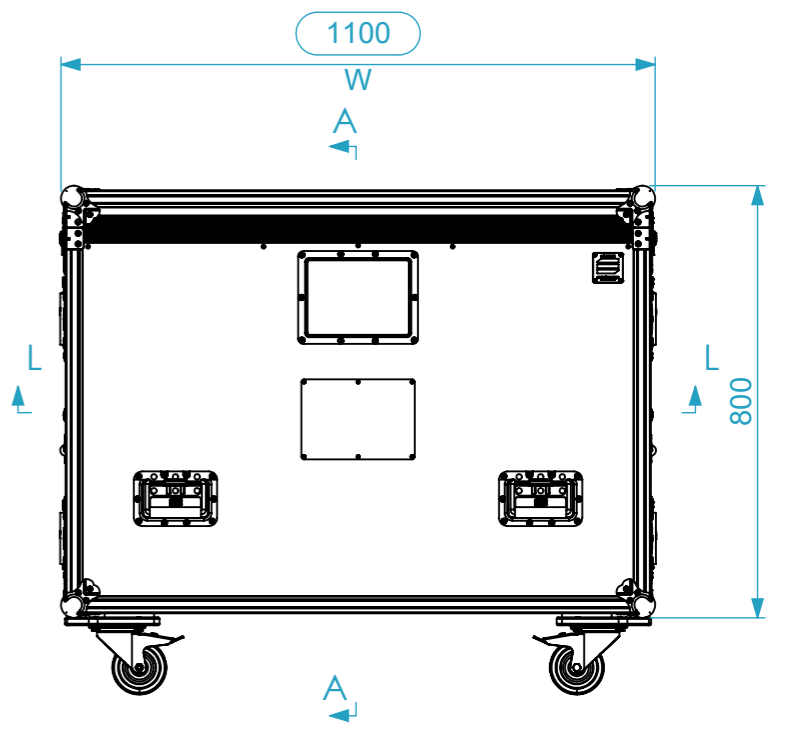
Base



942 H

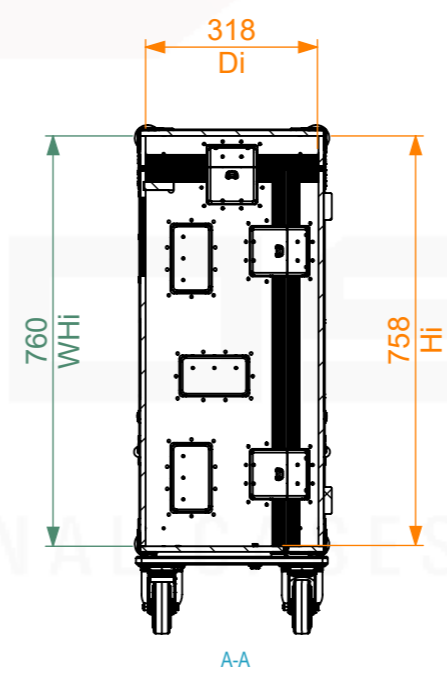


365 D



1100 W

800 L



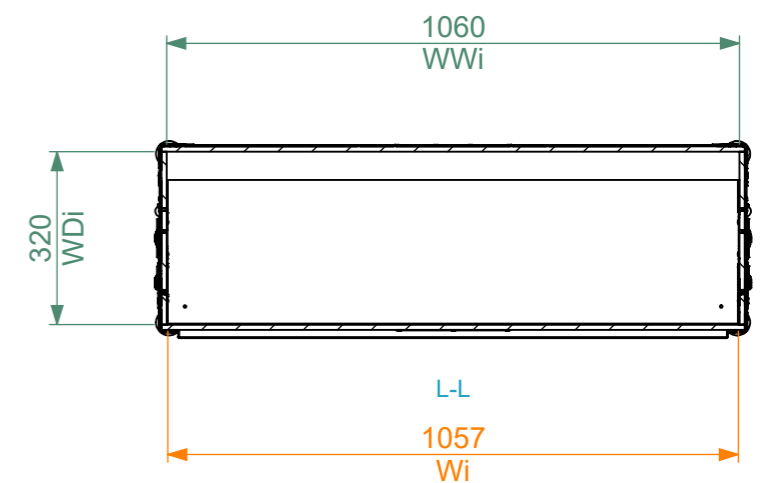
318 Di

760 WHi

758 Hi



360



1060 WWi

320 WDi

L-L

1057 Wi

General External Dimensions		Usable Inner Dimensions		Wood Inner Dimensions	
W	Width	Wi	Inside Width	WWi	Wood Inside Width
D	Depth	Di	Inside Depth	WDi	Wood Inside Depth
H	Height	Hi	Inside Height	WHi	Wood Inside Height

A3 This drawing must not be copied or disclosed without consent of the owner

Name	Date
Drawn by paula.almeida	29/11/2023
Reference	X13MR.1103680A
Scale	1:14
units in mm	general tolerance 0.8mm
DO NOT SCALE	
Flight case X13MR, para móvil IC5 110.36.80 (106x32x76 WID)	

