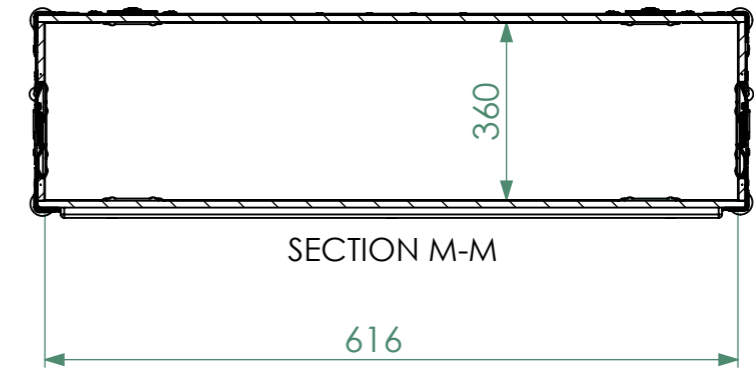
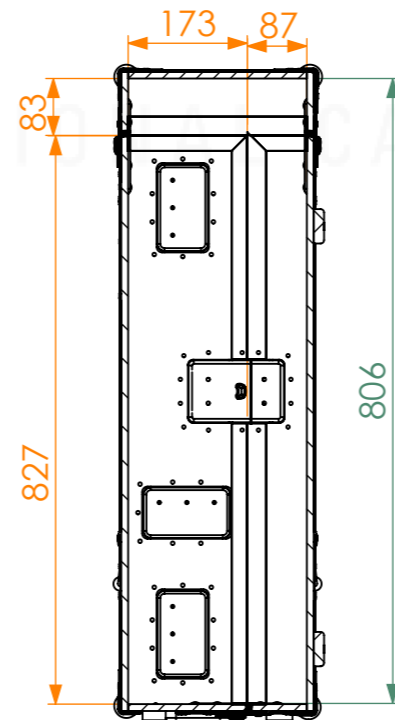
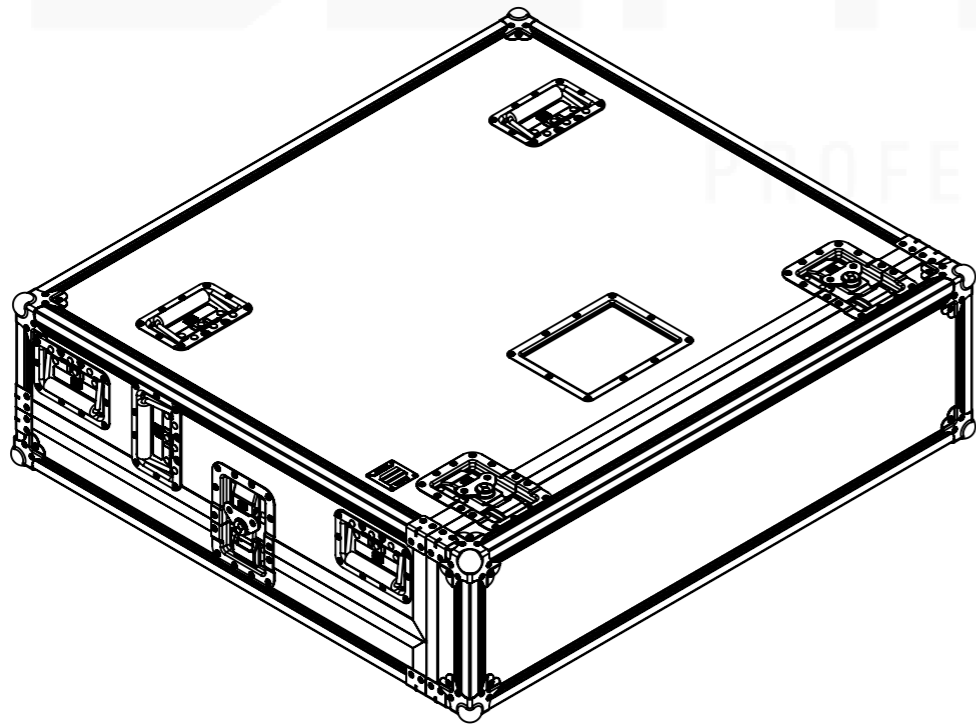
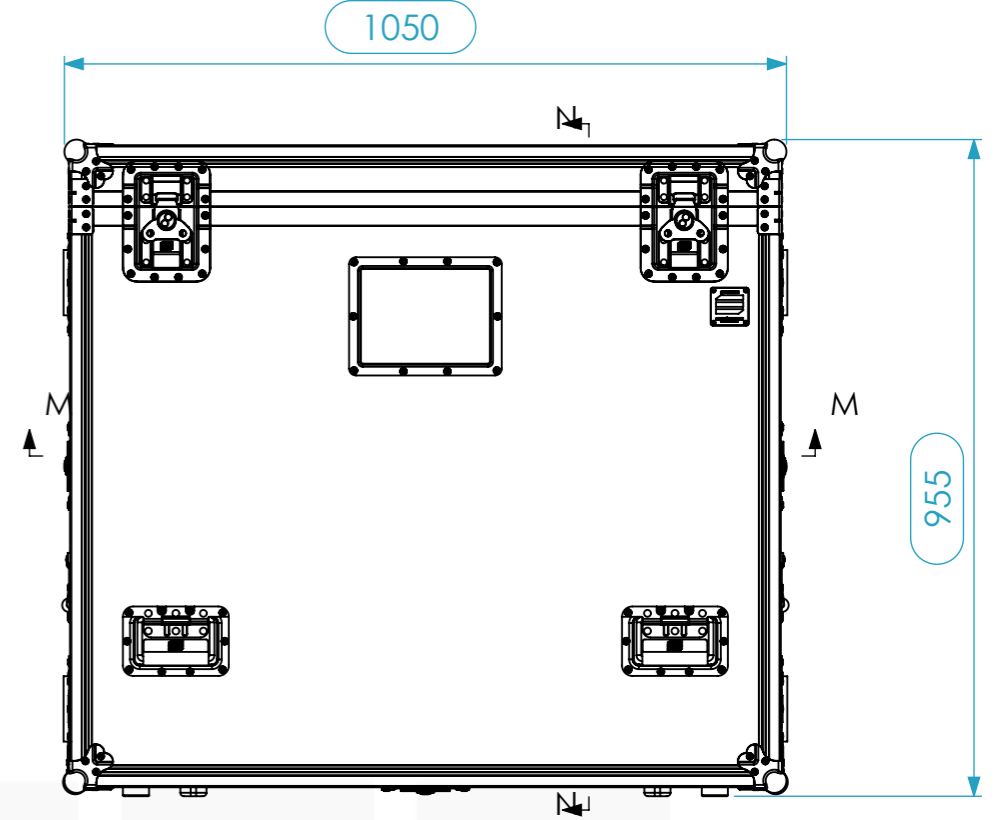
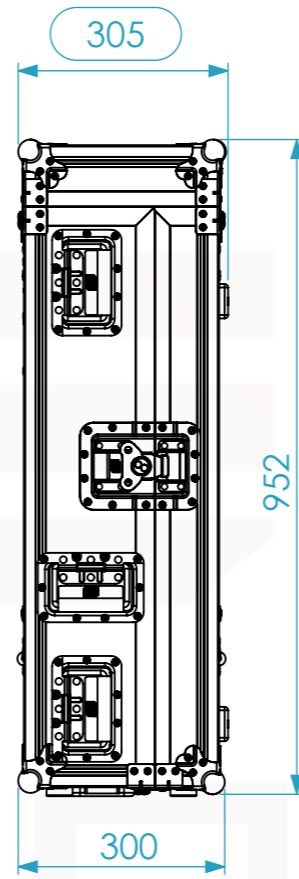
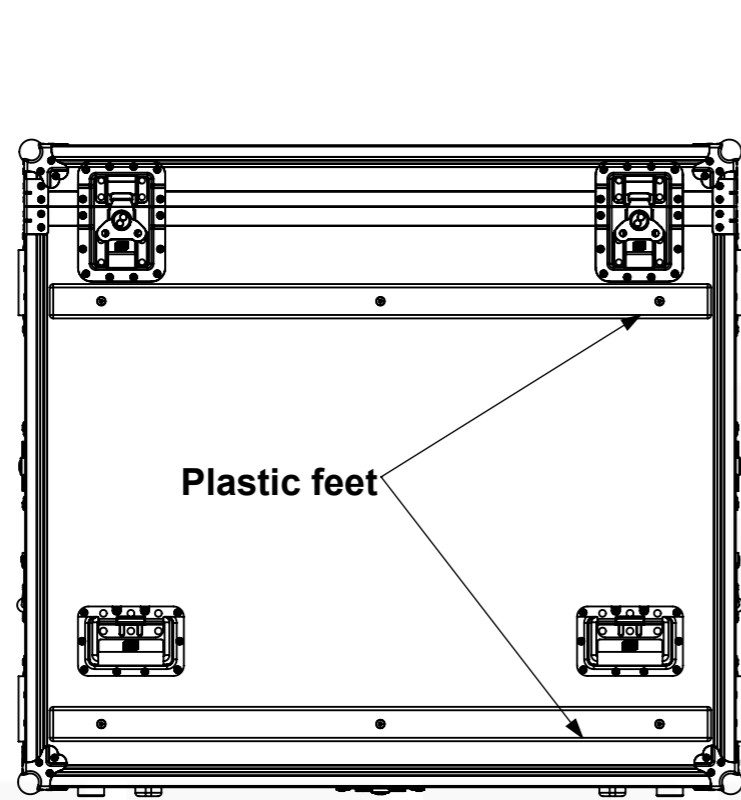


Internal Dimensions		
Width	Depth	Height
1006	906	260
Weight	Approx. 35 Kg	
Wall Thickness		10mm



General External Dimensions	
W	Width
D	Depth
H	Height
Usable Inner Dimensions	
Wi	Inside Width
Di	Inside Depth
Hi	Inside Height
Wood Inner Dimensions	
WWi	Wood Inside Width
WDi	Wood Inside Depth
WHi	Wood Inside Height

SECTION N-N

Name	Date
Drawn by: CatarinaDuque	29-10-2018
Reference: X13M.1053094A	
Scale: 1:1	units in mm DO NOT SCALE
general tolerance: 0.8mm	
FC X13M, 1006X206X906MM	



This drawing must not be copied or disclosed without consent of the owner



A3