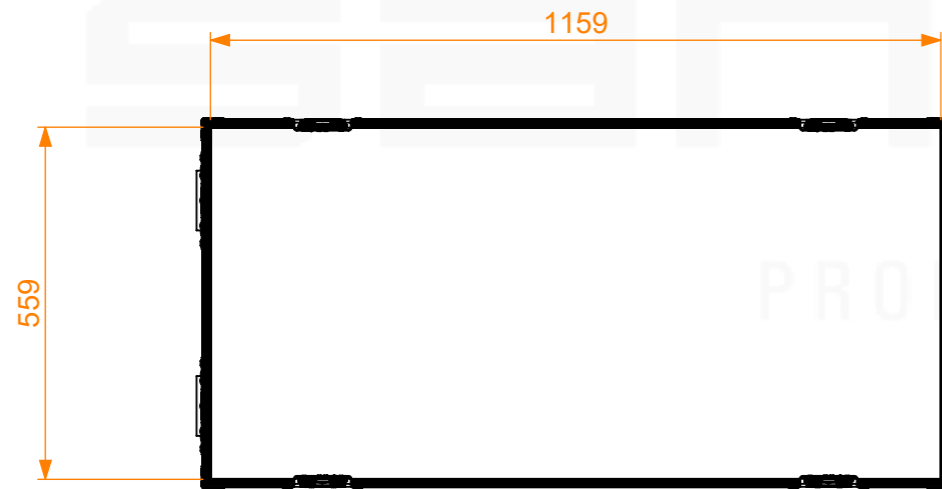
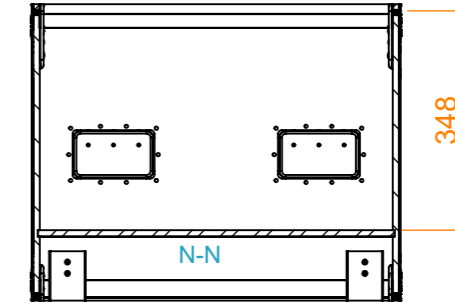
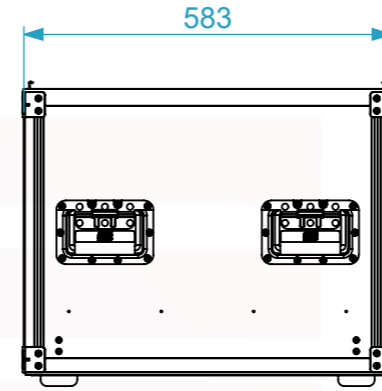
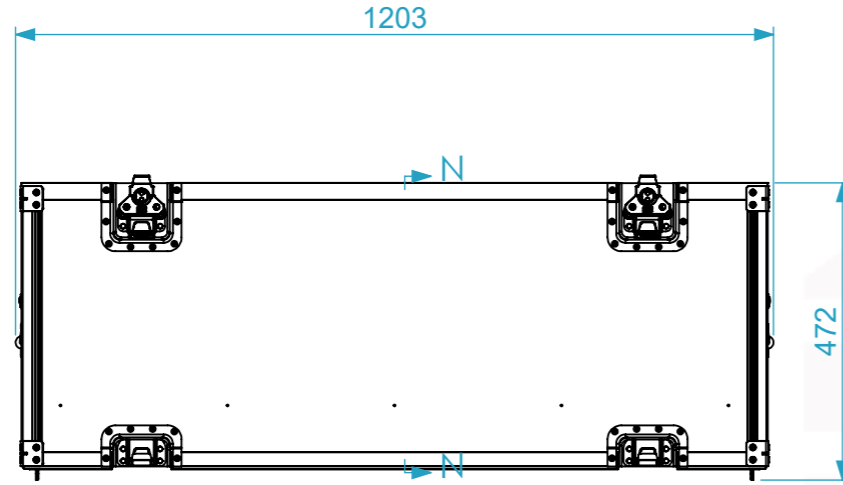


Internal Dimensions		
Width	Depth	Height
1159	559	348
<b>Weight</b>	Approx. 38 Kg	
<b>Wall Thickness</b>		10mm

General External Dimensions		Usable Inner Dimensions	
W	Width	Wi	Inside Width
D	Depth	Di	Inside Depth
H	Height	Hi	Inside Height



santosom  
 PROFESSIONAL CASES

A3

This drawing must not be copied or disclosed without consent of the owner



Scale 1:12

units in mm  
DO NOT SCALE  
general tolerance 0.8mm

Extensão para FC X13H, 1156x556x348 + 90

Name	Date
jose.couto	26/01/2023

Reference X13HR.1206048.P1

