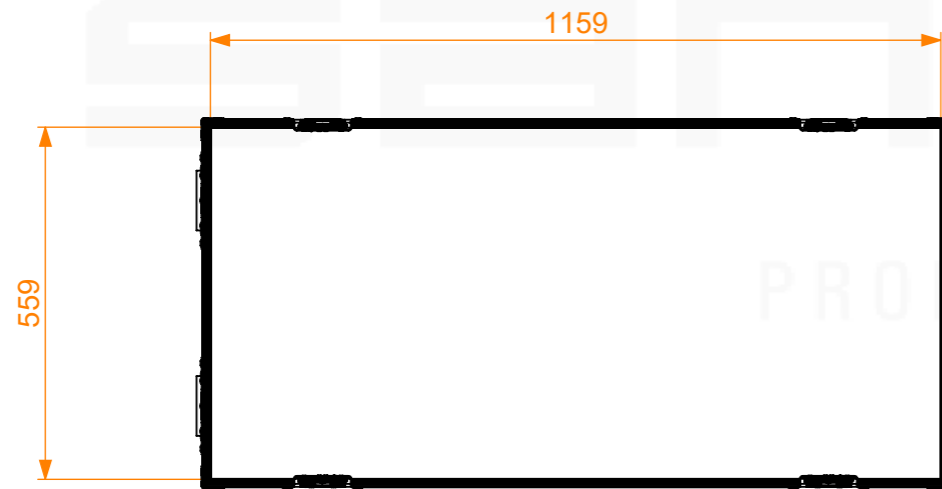
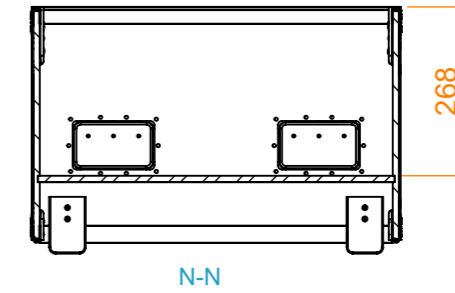
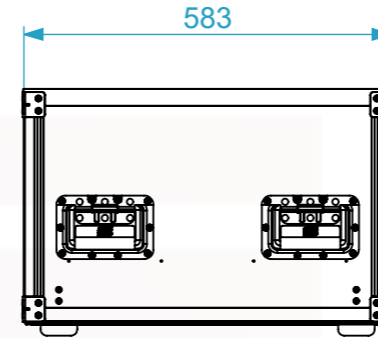
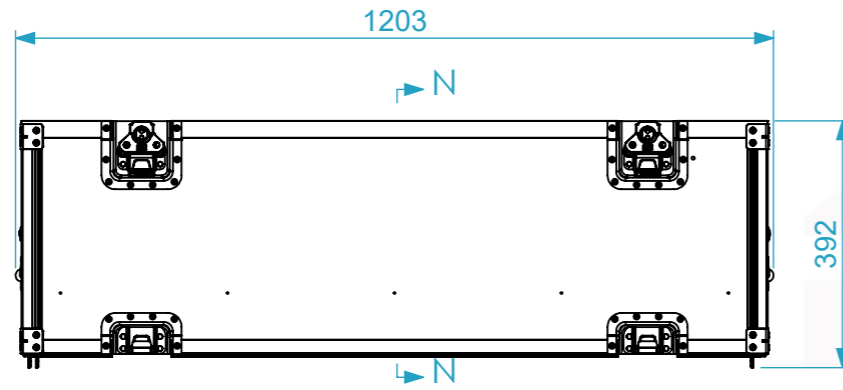


Internal Dimensions		
Width	Depth	Height
1159	559	268
<b>Weight</b>	Approx. 14 Kg	
<b>Wall Thickness</b>		10mm

General External Dimensions		Usable Inner Dimensions	
W	Width	Wi	Inside Width
D	Depth	Di	Inside Depth
H	Height	Hi	Inside Height



santosom  
 PROFESSIONAL CASES

	<b>Name</b>	Date
Drawn by	projects	29/06/2022
Reference	X13HR.1206040.P1	
Scale	units in mm	general tolerance
1:12	DO NOT SCALE	0.8mm
Extensão para FC X13H, 1156x556x360mm		



This drawing must not be copied or disclosed without consent of the owner

A3

