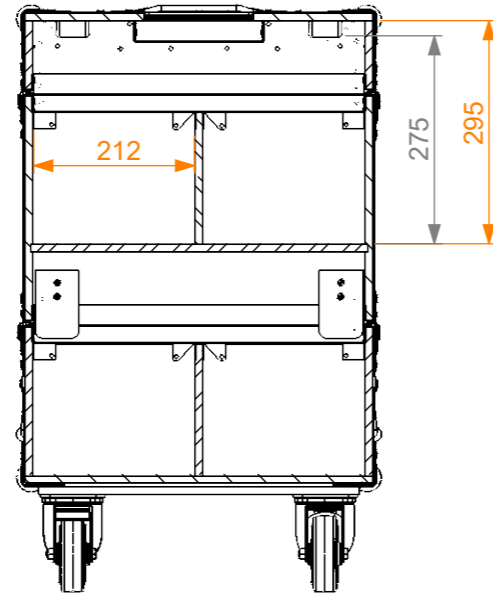
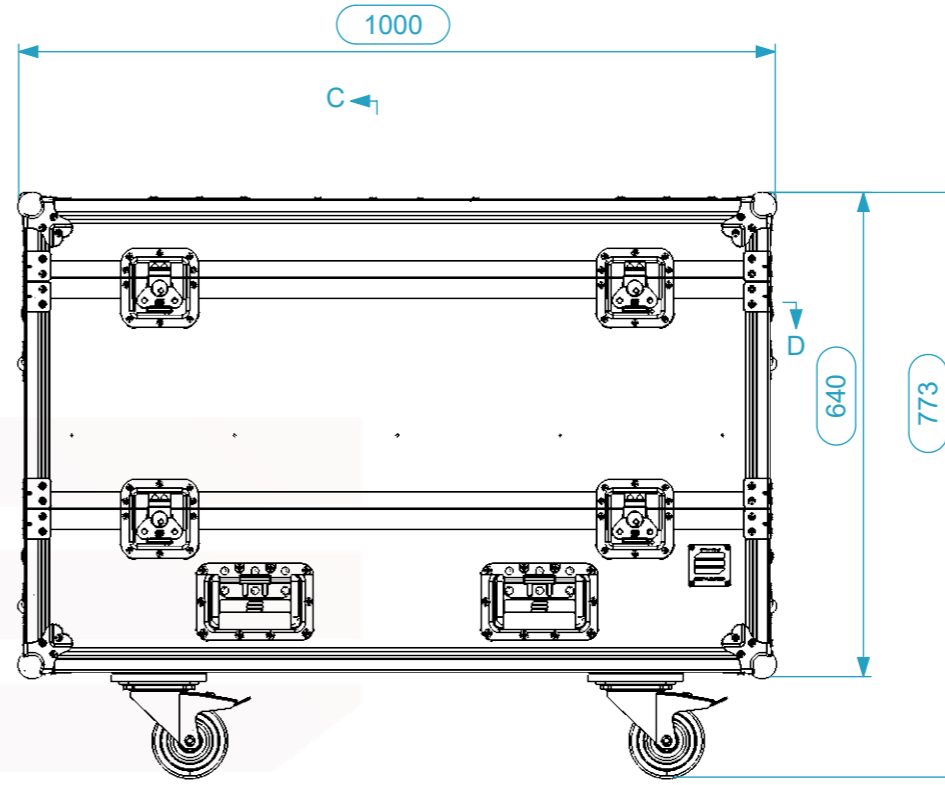


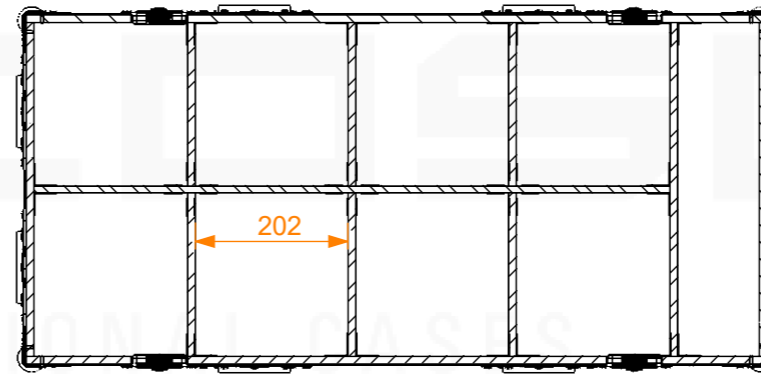
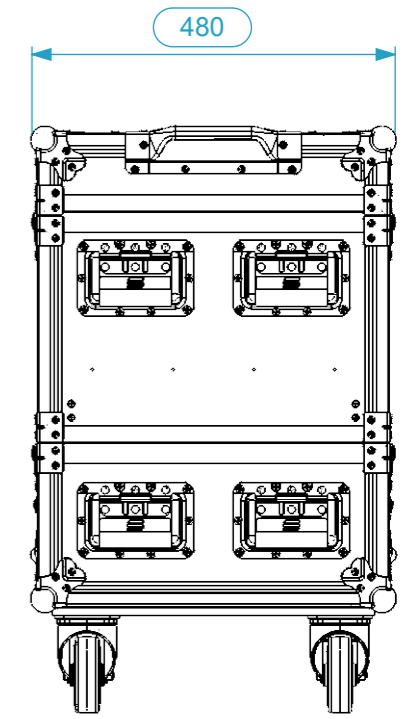
Internal Dimensions		
Width	Depth	Height
200	212	295
Weight	Approx. 46.61 Kg	
Wall Thickness	10mm	



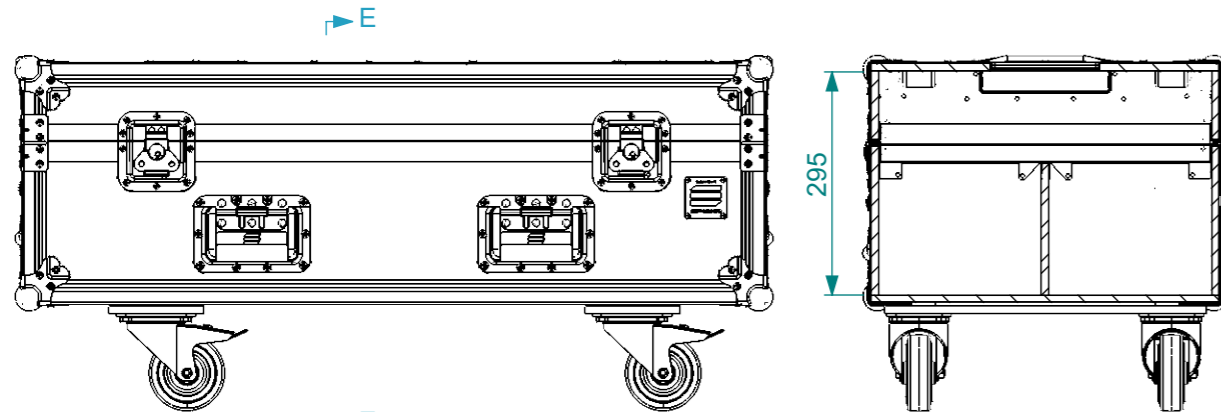
C-C



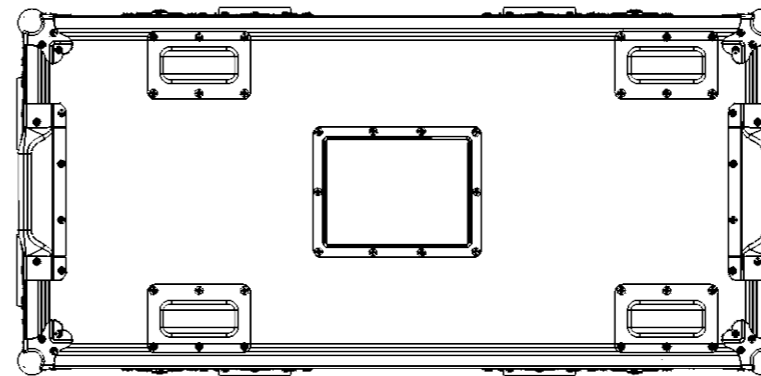
D-D



D-D



E-E



General External Dimensions		Usable Inner Dimensions	
W	Width	Wi	Inside Width
D	Depth	Di	Inside Depth
H	Height	Hi	Inside Height

Name	Date	
Drawn by	CarlaSilva	25/09/2019
Reference	X13HR.1004864.09C	
Scale	units in mm	general tolerance
1:10	DO NOT SCALE	0.8mm
1st Angle projection	Flight case X13H, 8x 200x212x295 interiores + acessórios	



This drawing must not be copied or disclosed without consent of the owner

A3