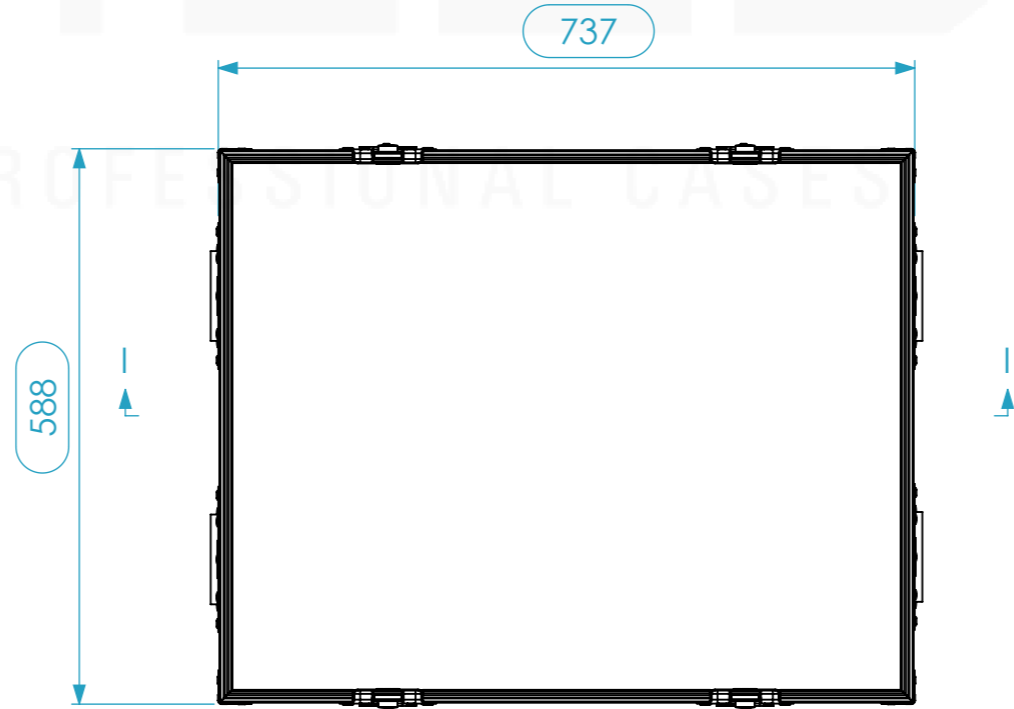
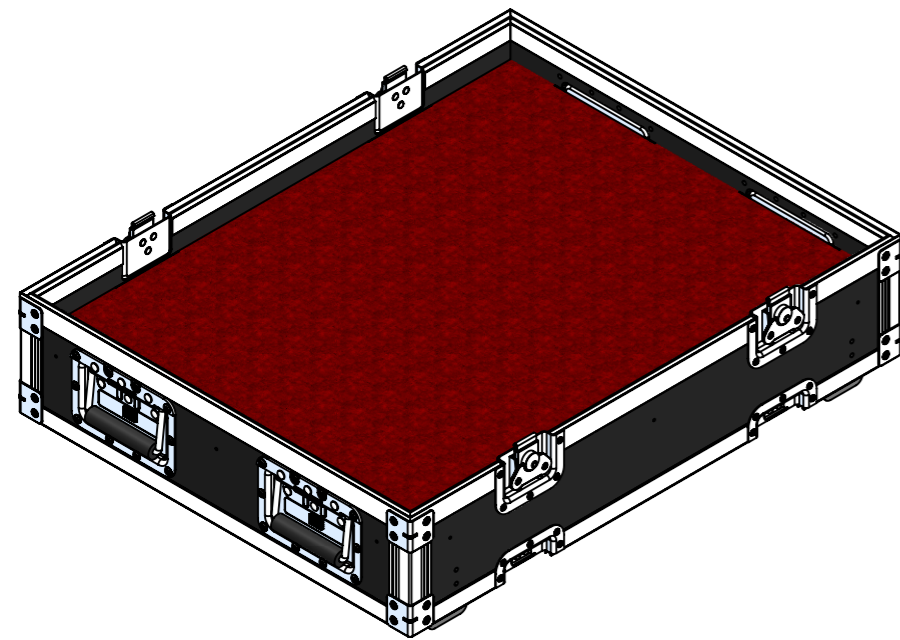
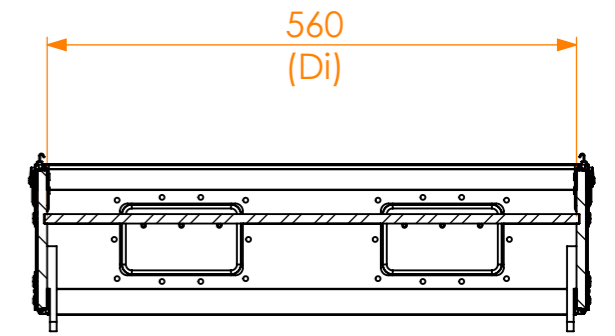
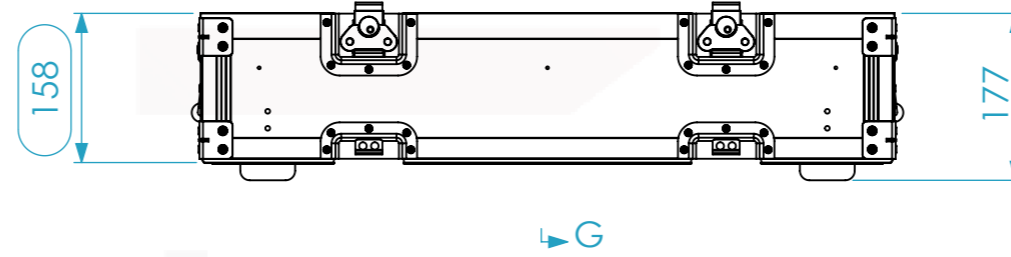
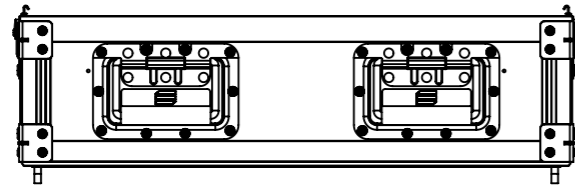
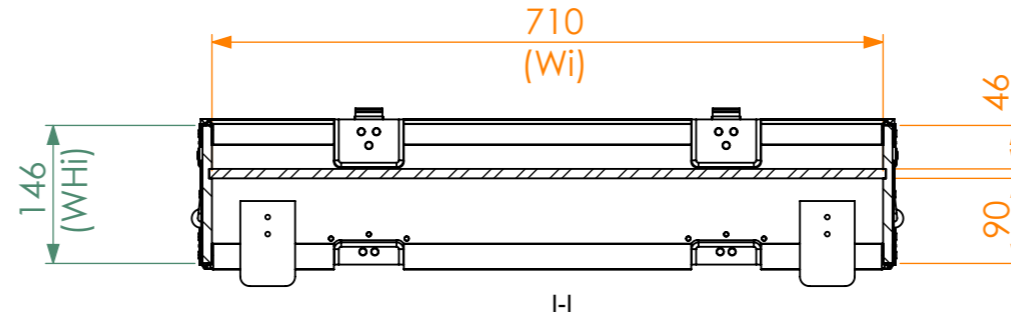


Internal Dimensions		
Width	Depth	Height
706	556	105
Weight	Approx. 9 Kg	
Wall Thickness		10mm



General External Dimensions		Usable Inner Dimensions		Wood Inner Dimensions	
W	Width	Wi	Inside Width	WWi	Wood Inside Width
D	Depth	Di	Inside Depth	WDi	Wood Inside Depth
H	Height	Hi	Inside Height	WHi	Wood Inside Height

This drawing must not be copied or disclosed without consent of the owner



Scale 1:8

units in mm  
DO NOT SCALE  
general tolerance 0.8mm

Part Flight case X13H, 706x556x86 interiores



A3