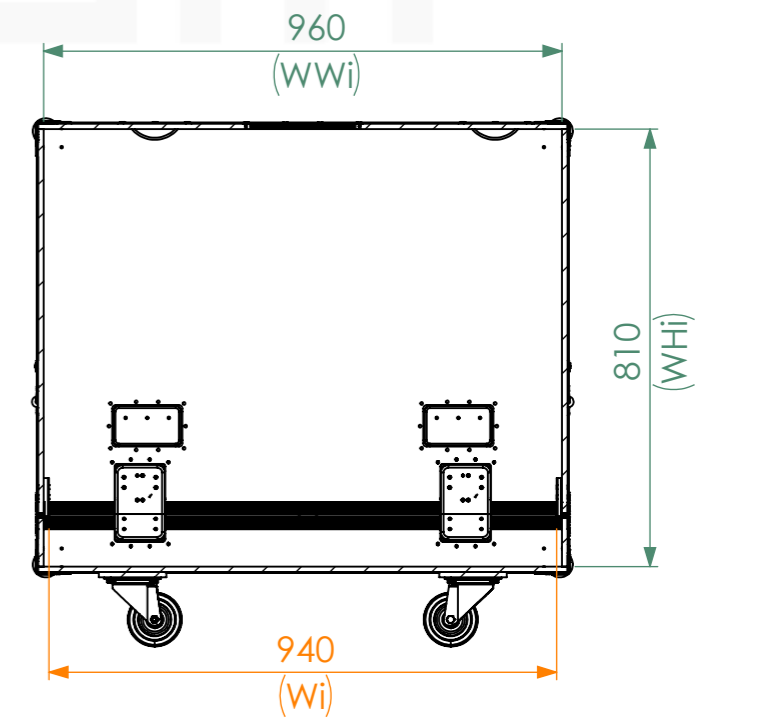
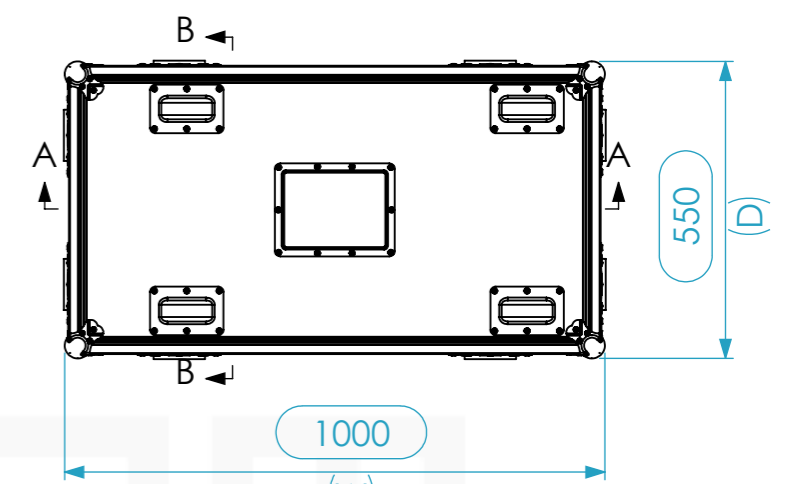
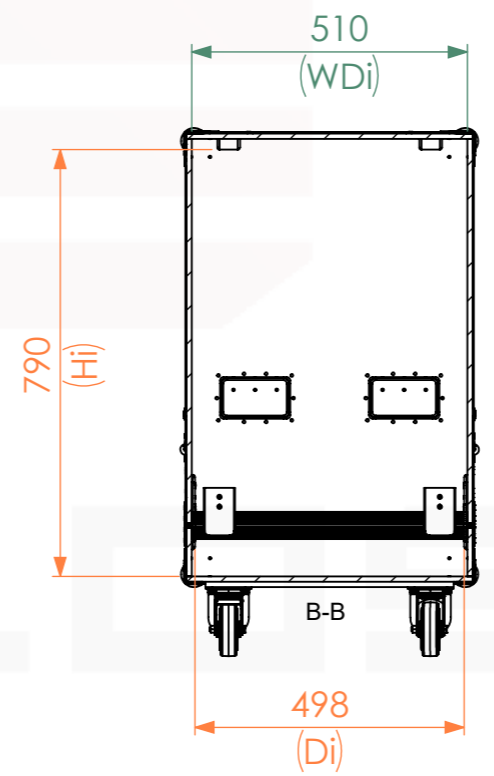
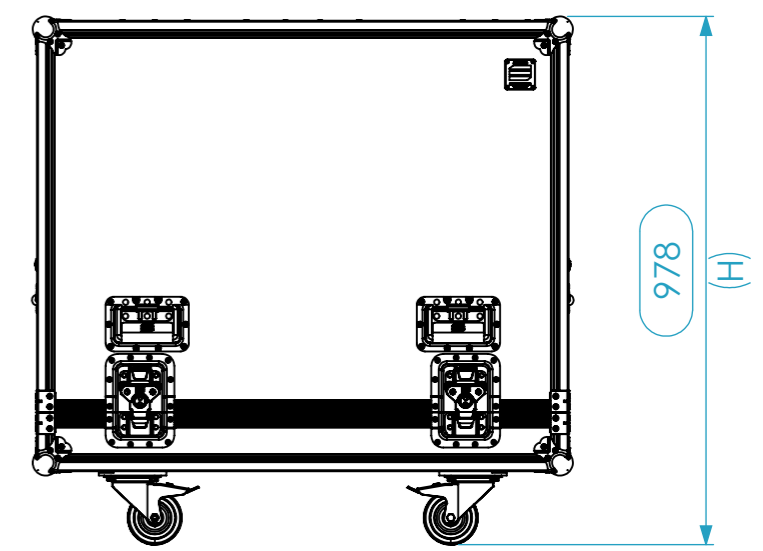
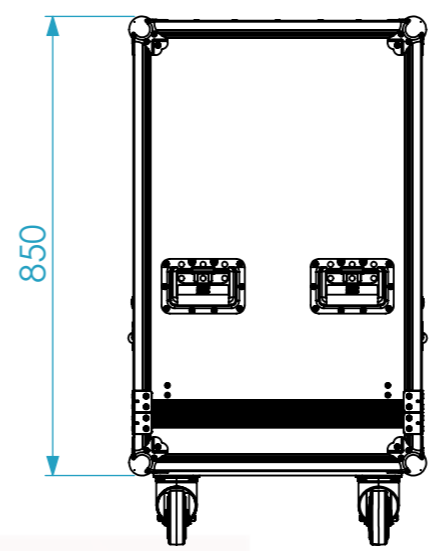
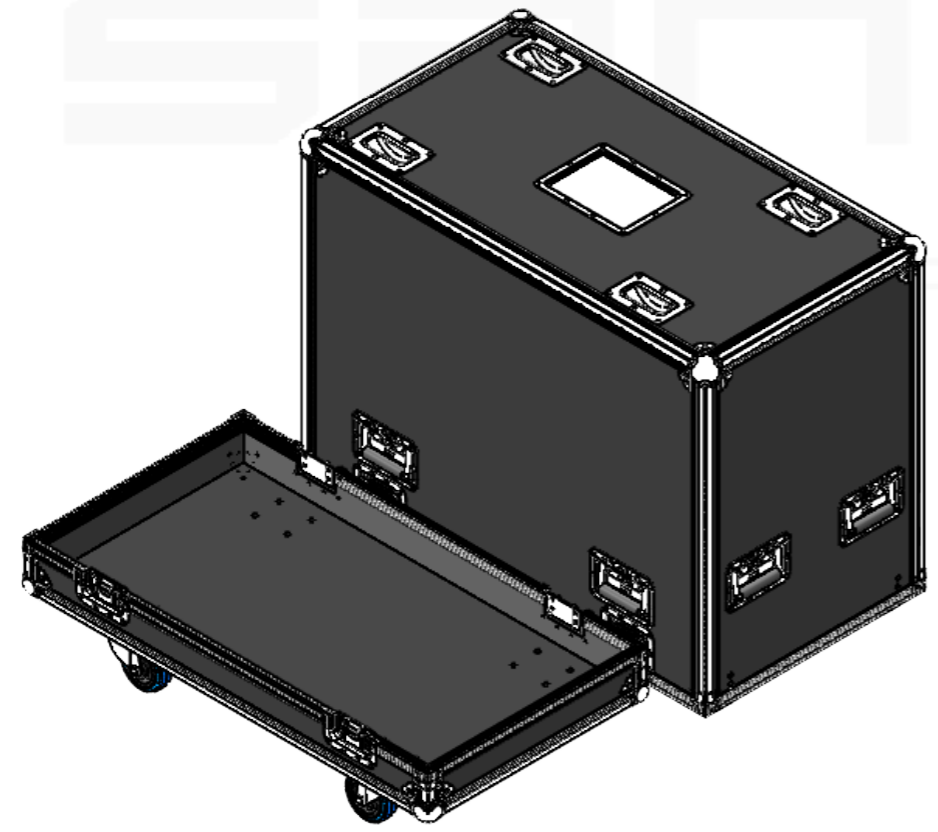
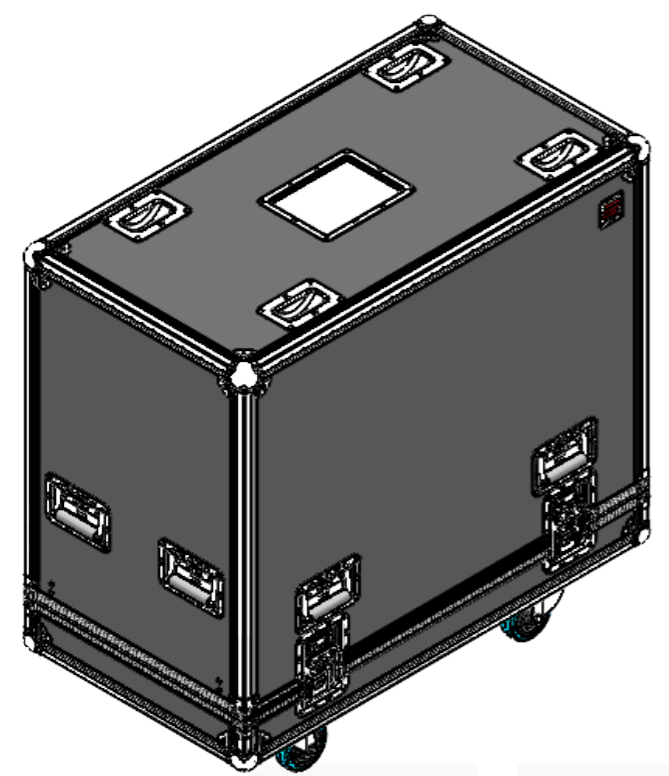


Internal Dimensions		
Width	Depth	Height
956	506	806
Weight	Approx. 40 Kg	
Wall Thickness		10mm



General External Dimensions		Usable Inner Dimensions (UID)		Wood Inner Dimensions (WID)	
W	Width	Wi	Inside Width	WWi	Wood Inside Width
D	Depth	Di	Inside Depth	WDi	Wood Inside Depth
H	Height	Hi	Inside Height	WHi	Wood Inside Height

This drawing must not be copied or disclosed without consent of the owner

Drawn by	Name	Date
paula.almeida		22/03/2024
Reference	X12IR.1005585	
Scale	units in mm	general tolerance
1:14	DO NOT SCALE	0.8mm
FC. X12I 956x506x806 mm		



A3