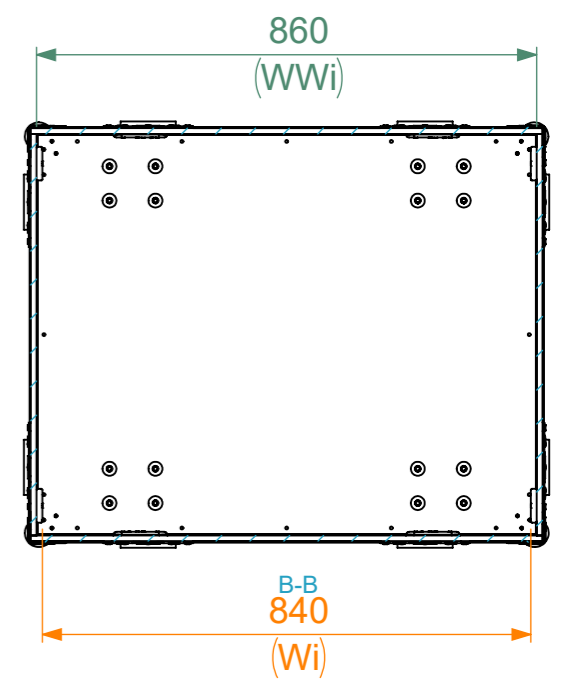
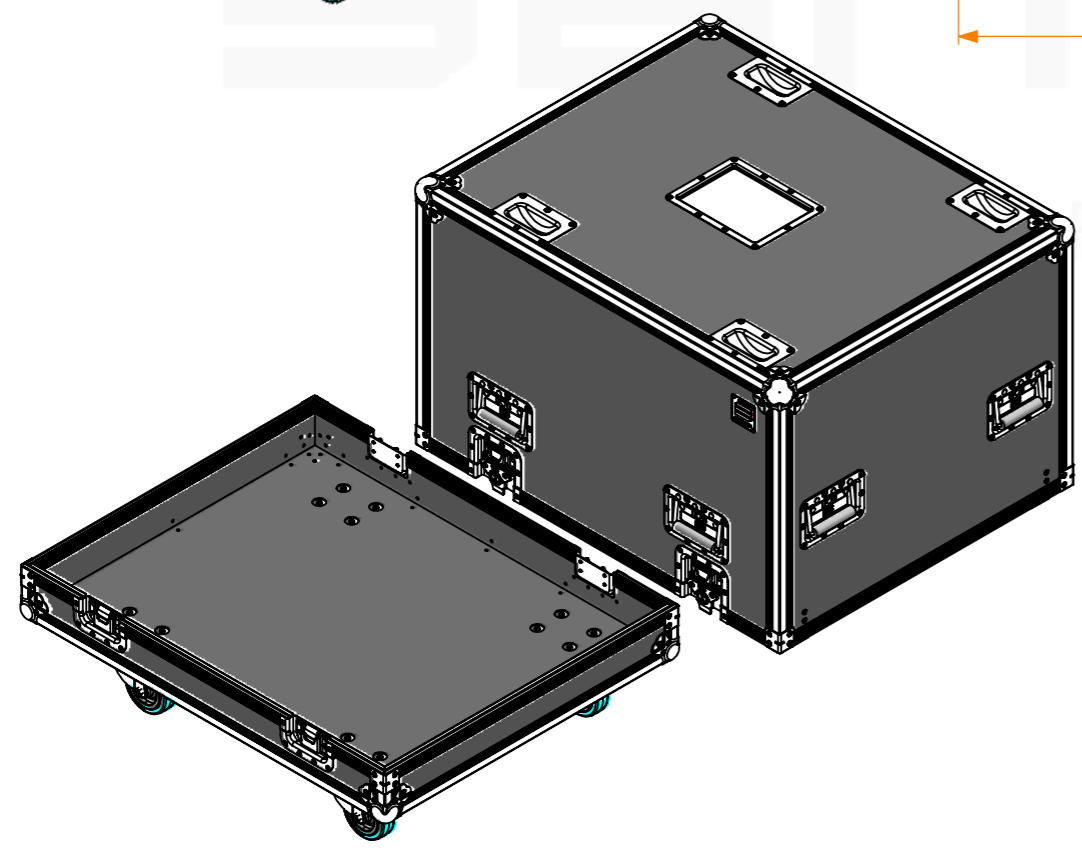
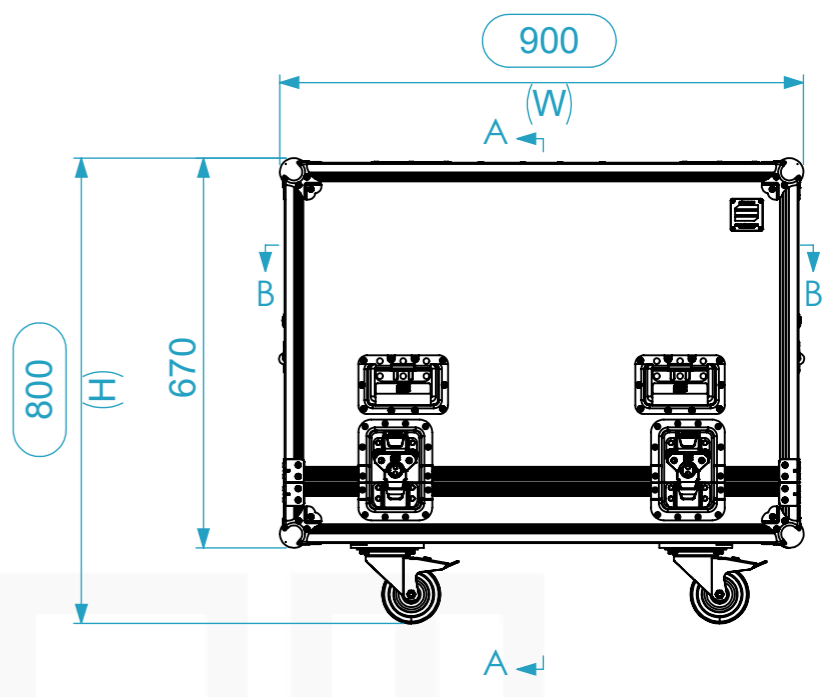
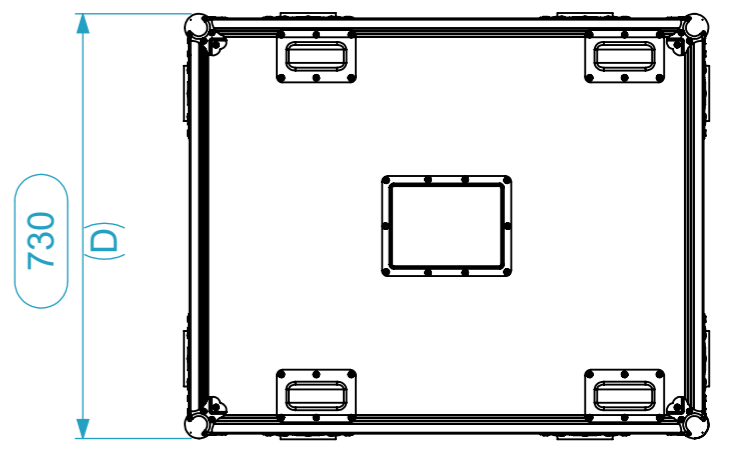
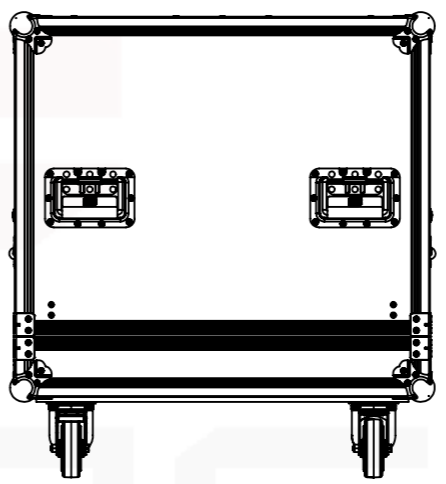
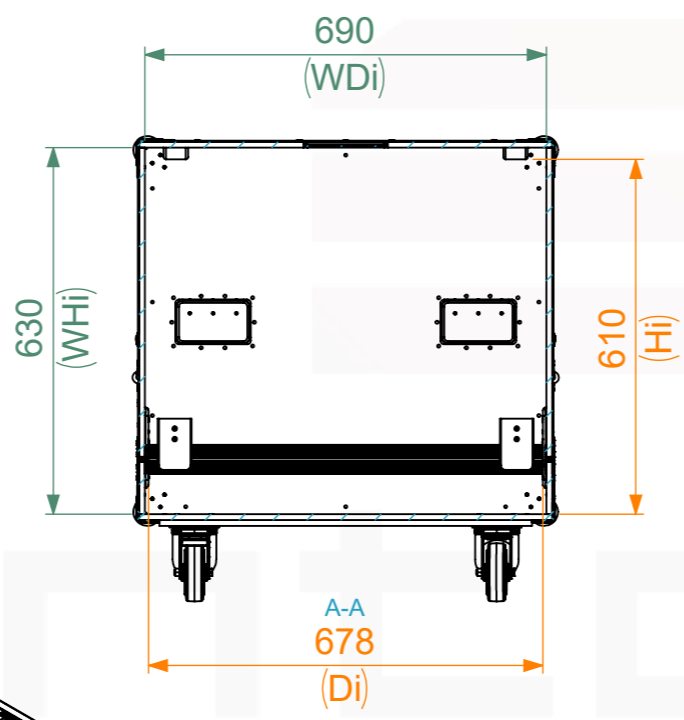


Dimensões

Comprimento	Largura	Altura
856	686	626
Peso	Approx. 37 Kg	
Espessura		10mm



General External Dimensions		Usable Inner Dimensions (UID)		Wood Inner Dimensions (WID)	
W	Width	Wi	Inside Width	WWi	Wood Inside Width
D	Depth	Di	Inside Depth	WDi	Wood Inside Depth
H	Height	Hi	Inside Height	WHi	Wood Inside Height

A3 This drawing must not be copied or disclosed without consent of the owner

Drawn by	guilherme.santos	Name	guilherme.santos	Date	28/05/2026
Reference	X12IR.0907380	Scale	1:13	units in mm	general tolerance 0.8mm
1st Angle projection		FC. X12IR 856x686x626 mm			

