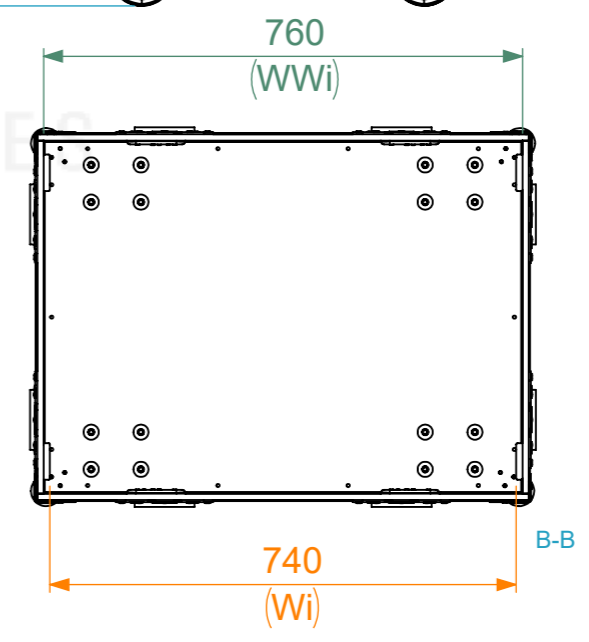
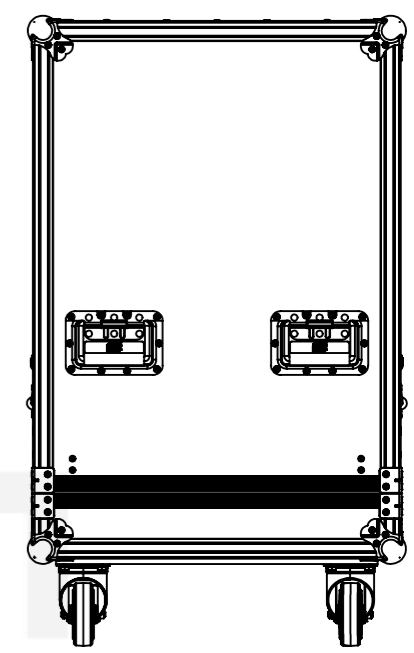
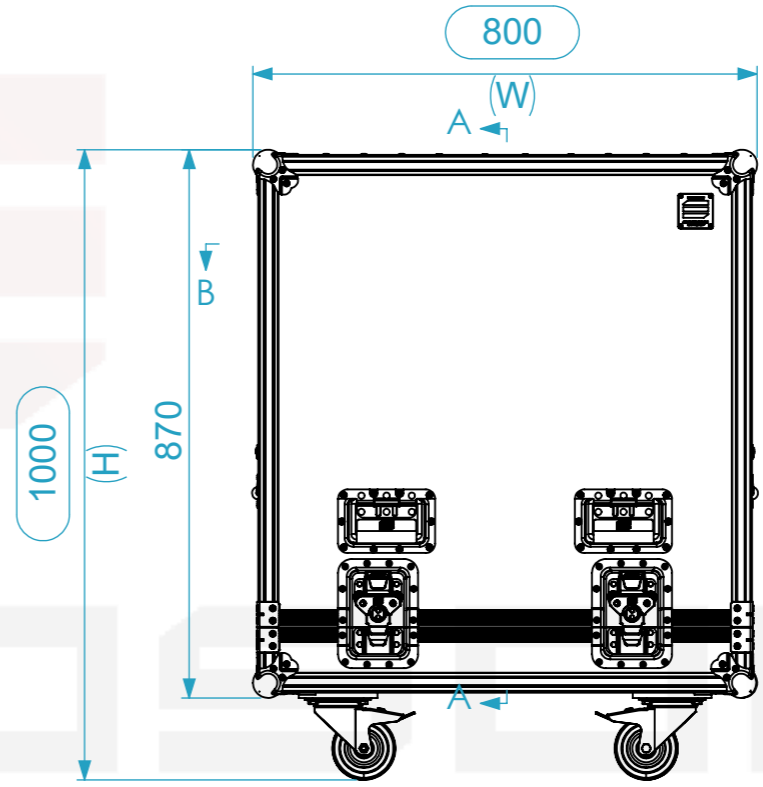
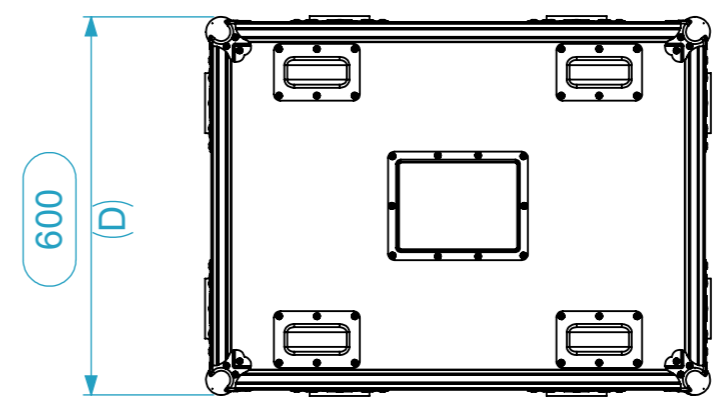
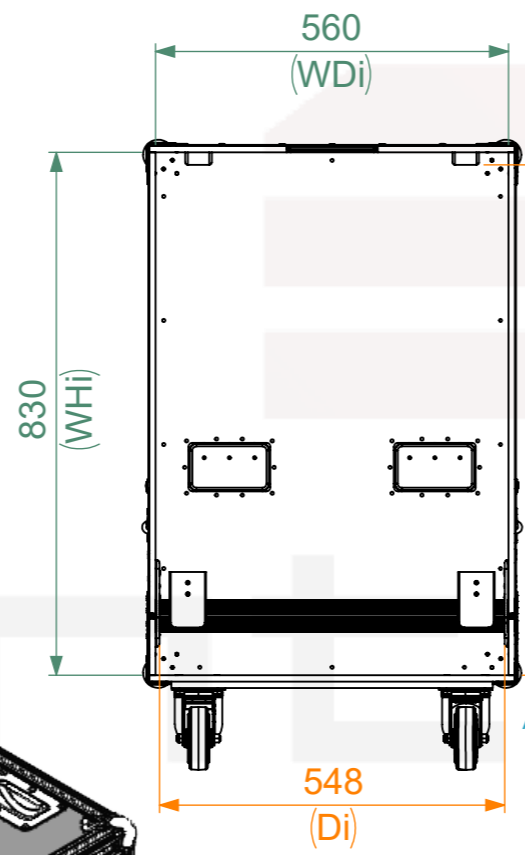
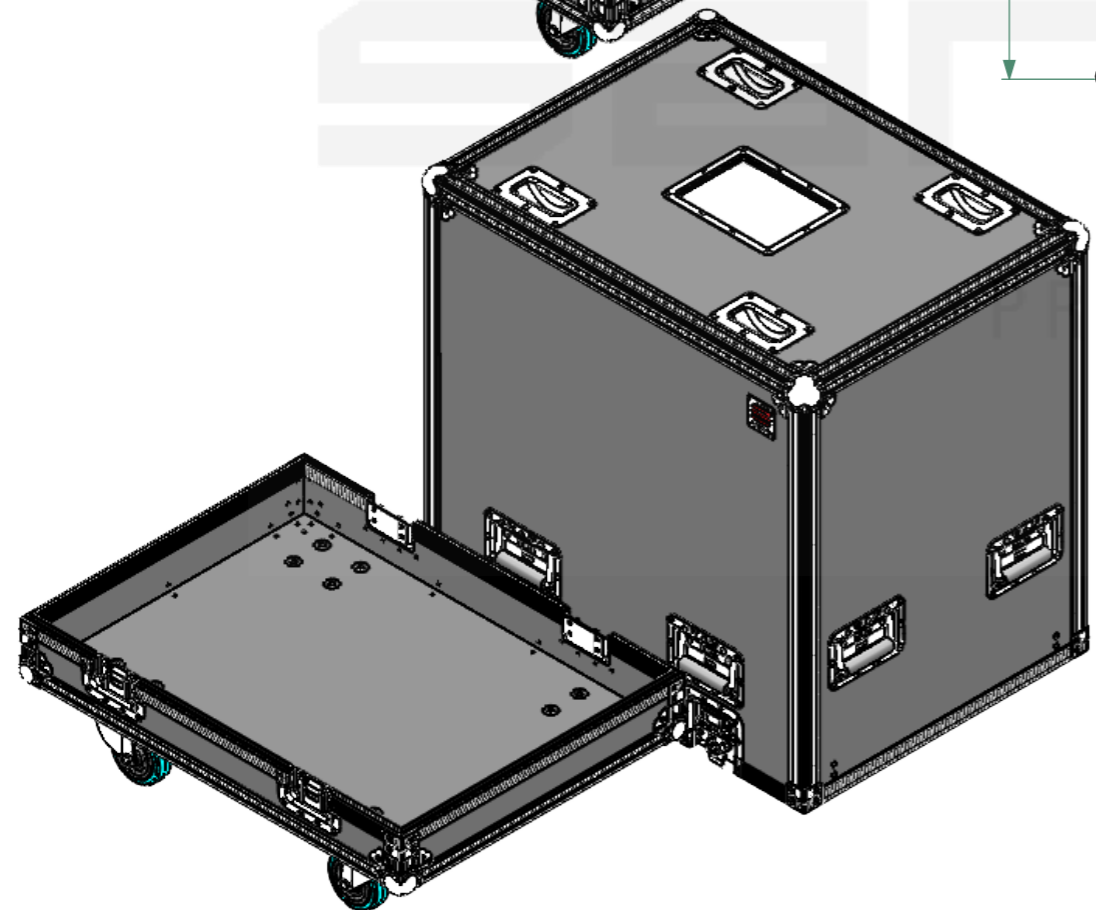
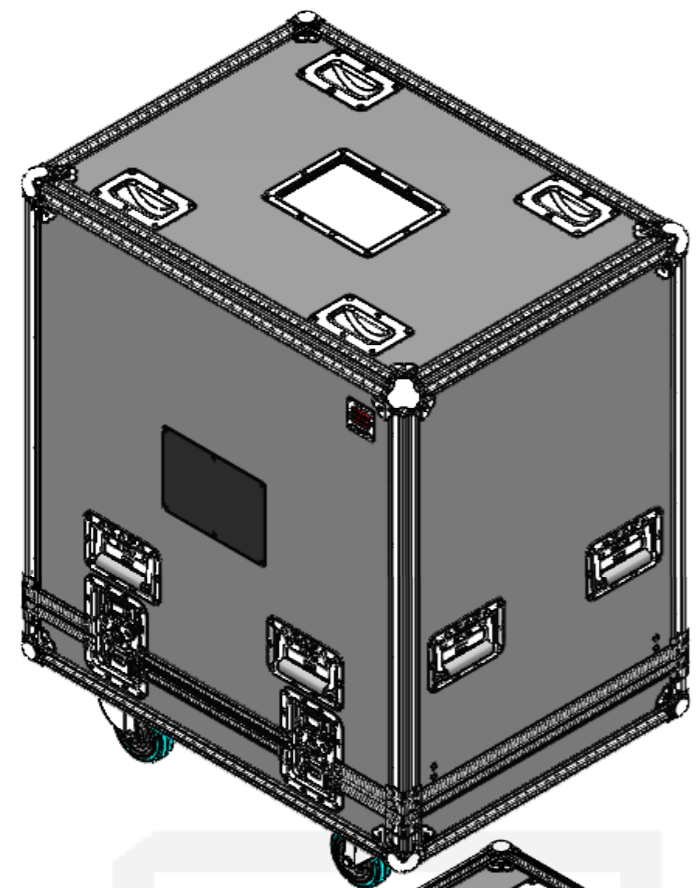


Internal Dimensions		
Width	Depth	Height
740	548	810
Weight	Approx. 36 Kg	
Wall Thickness	10mm	



General External Dimensions		Usable Inner Dimensions (UID)		Wood Inner Dimensions (WID)	
W	Width	Wi	Inside Width	WWi	Wood Inside Width
D	Depth	Di	Inside Depth	WDi	Wood Inside Depth
H	Height	Hi	Inside Height	WHi	Wood Inside Height

This drawing must not be copied or disclosed without consent of the owner

Drawn by	Name	Date
rita.monteiro	rita.monteiro	26/01/2026
Reference	X12IR.0806087	
Scale	units in mm	general tolerance
1:1	DO NOT SCALE	0.8mm
FC. X12IR 756x556x826 mm		

