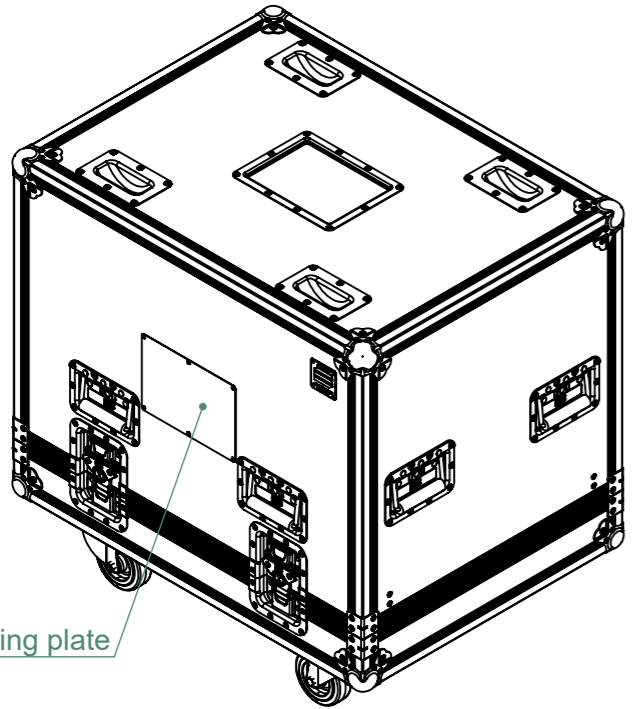
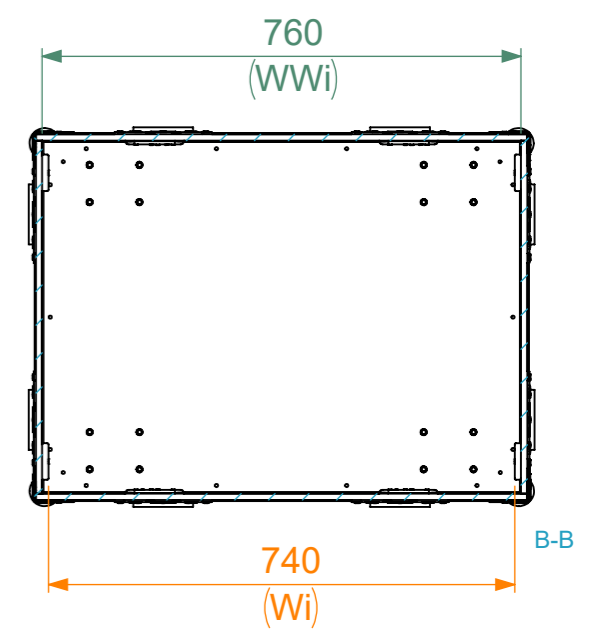
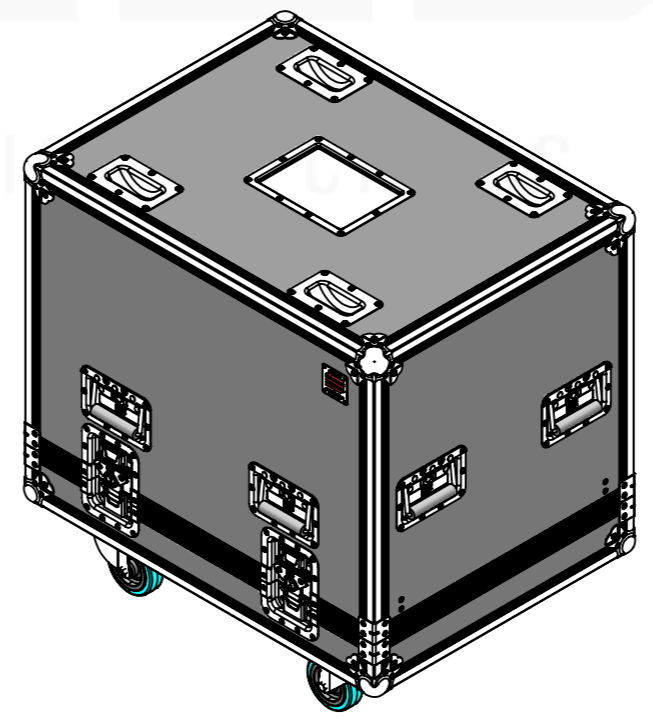
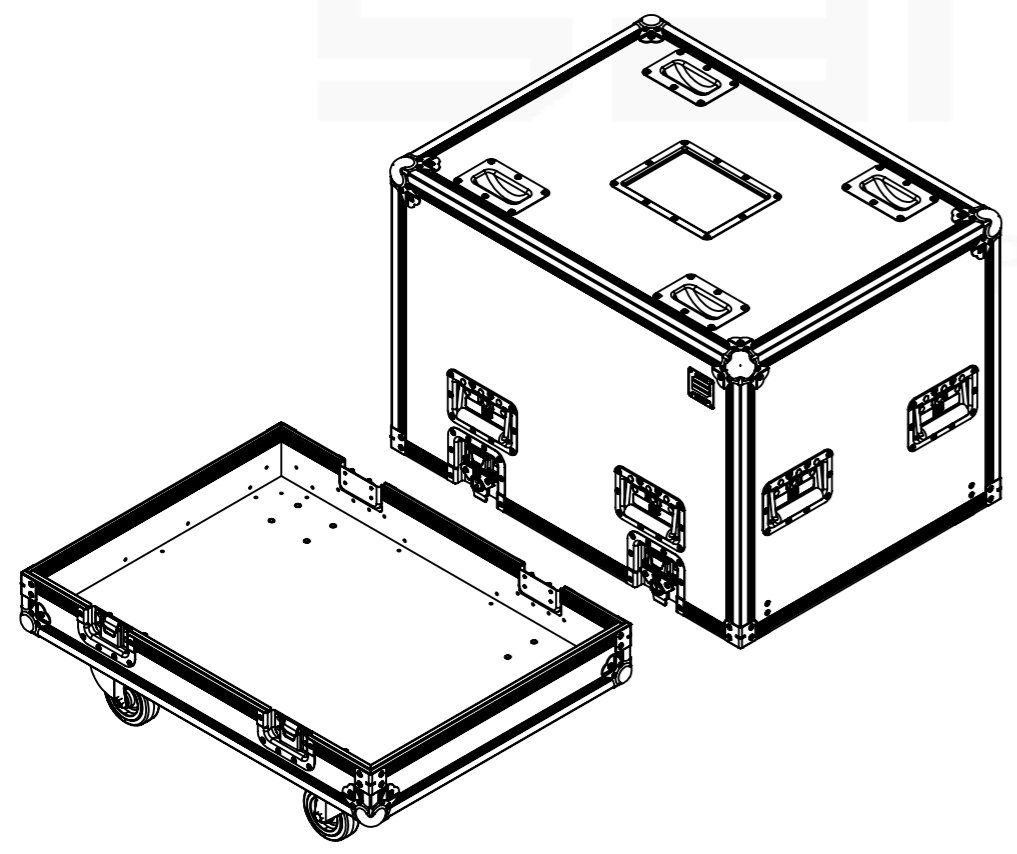
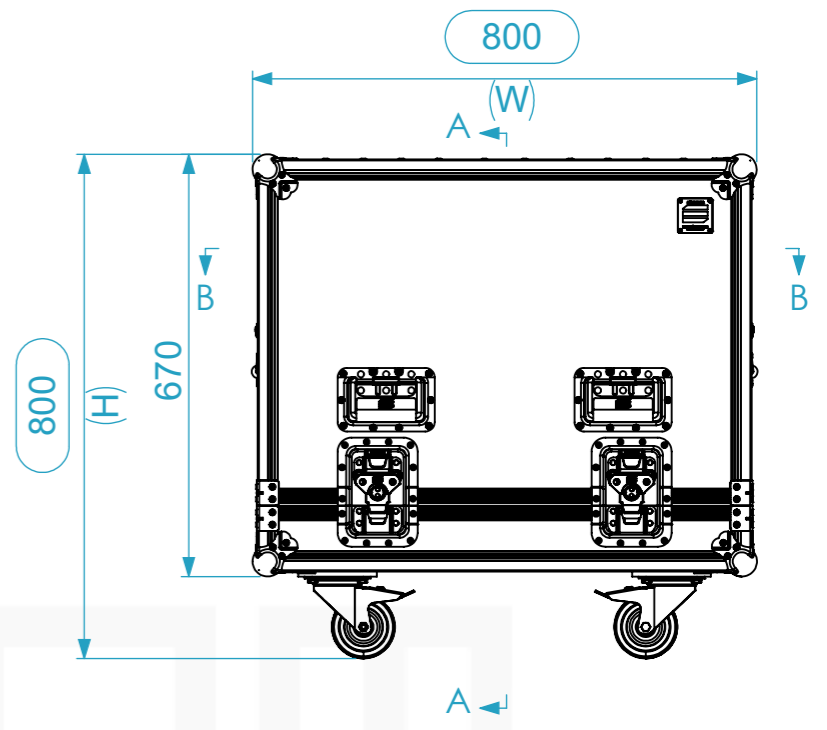
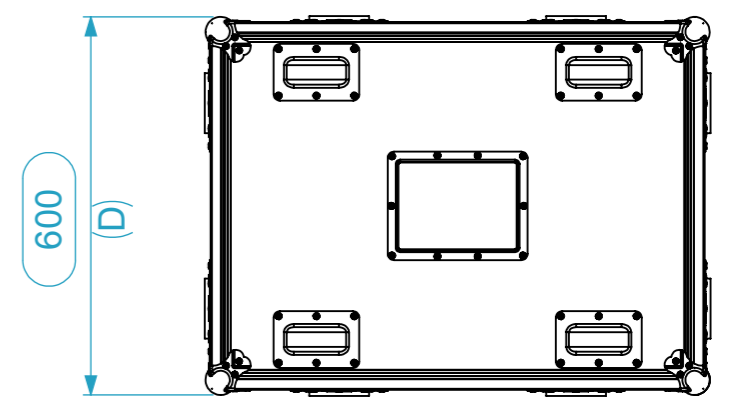
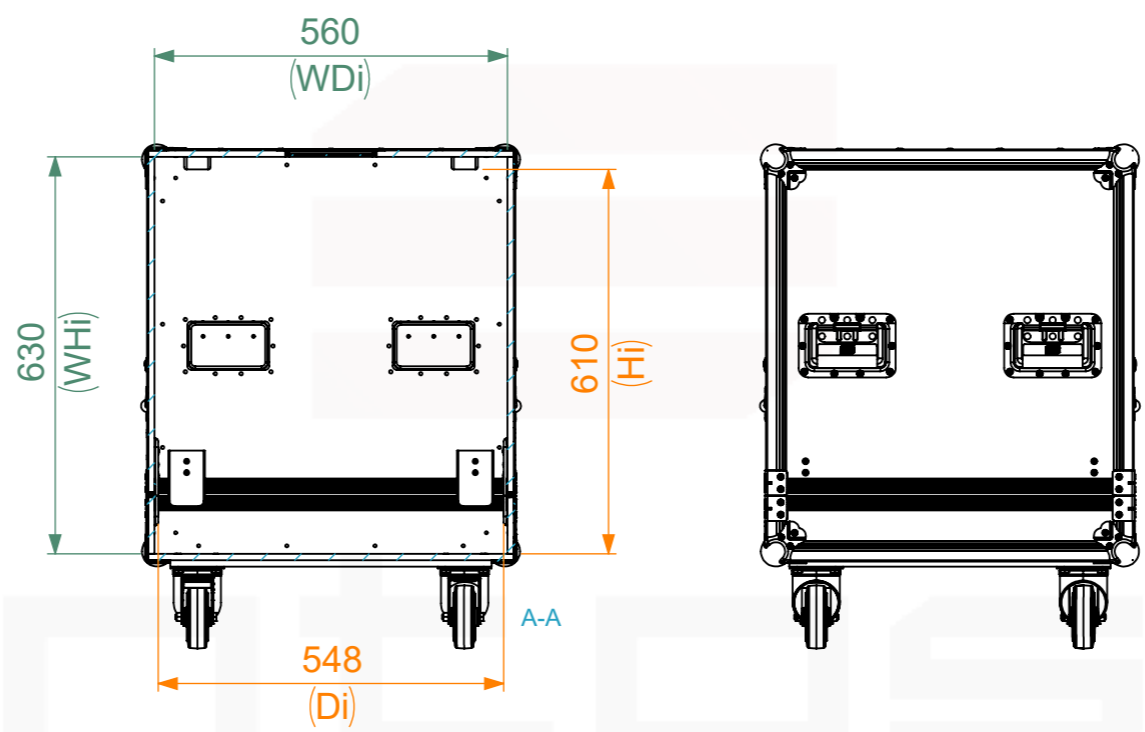


Internal Dimensions		
Width	Depth	Height
740	548	610
Weight	Approx. 32 Kg	
Wall Thickness	10mm	



Optional printing plate



General External Dimensions		Usable Inner Dimensions (UID)		Wood Inner Dimensions (WID)	
W	Width	Wi	Inside Width	WWi	Wood Inside Width
D	Depth	Di	Inside Depth	WDi	Wood Inside Depth
H	Height	Hi	Inside Height	WHi	Wood Inside Height

Drawn by	jose.couto	Date	07/05/2025
Reference	X12IR.0806067		
Scale	1:1	units in mm	general tolerance 0.8mm
		DO NOT SCALE	
		FC. X12IR	
		756x556x626 mm	



This drawing must not be copied or disclosed without consent of the owner



A3