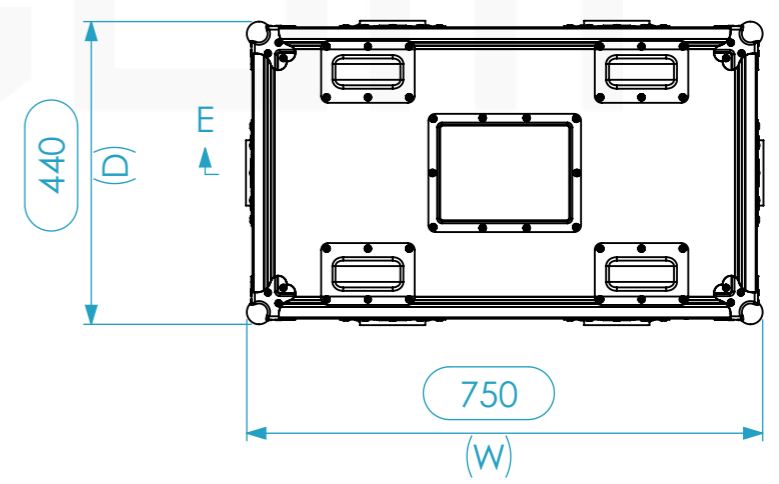
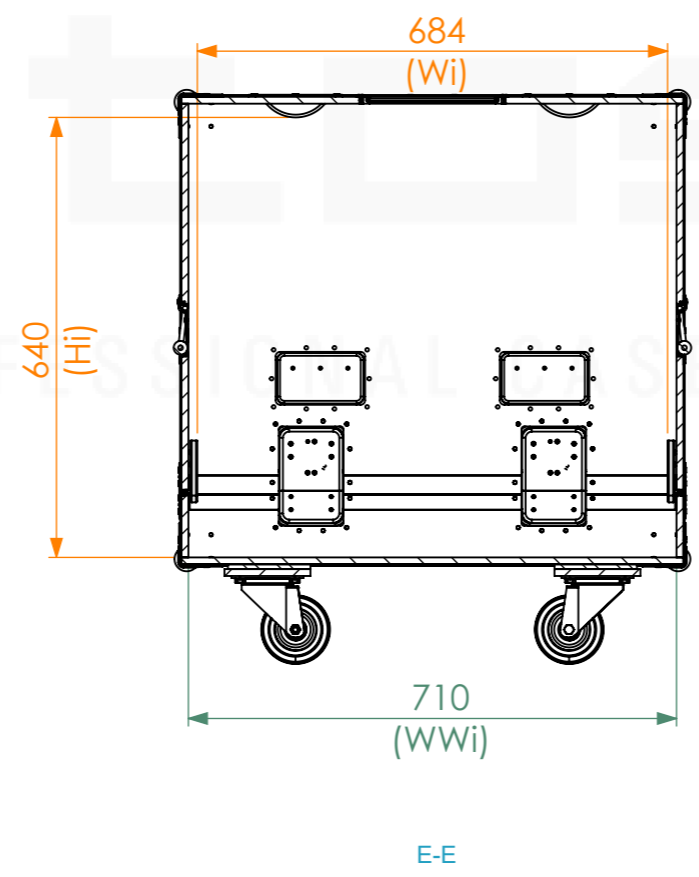
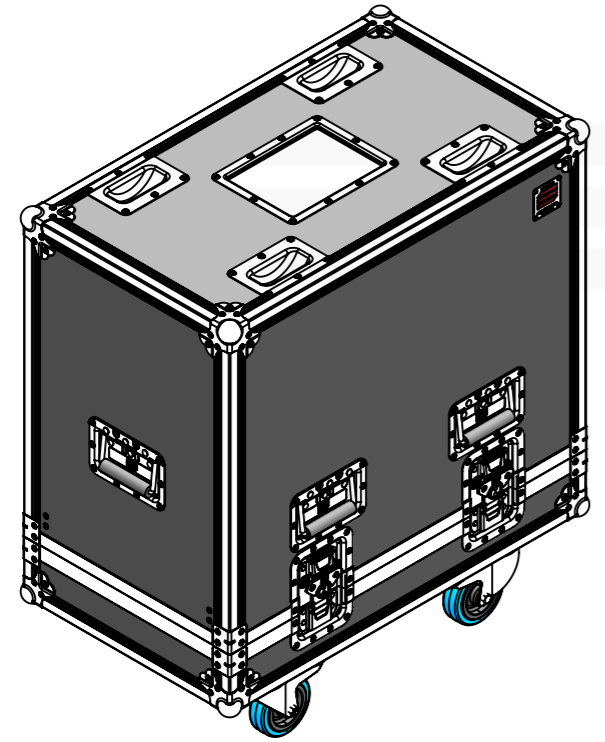
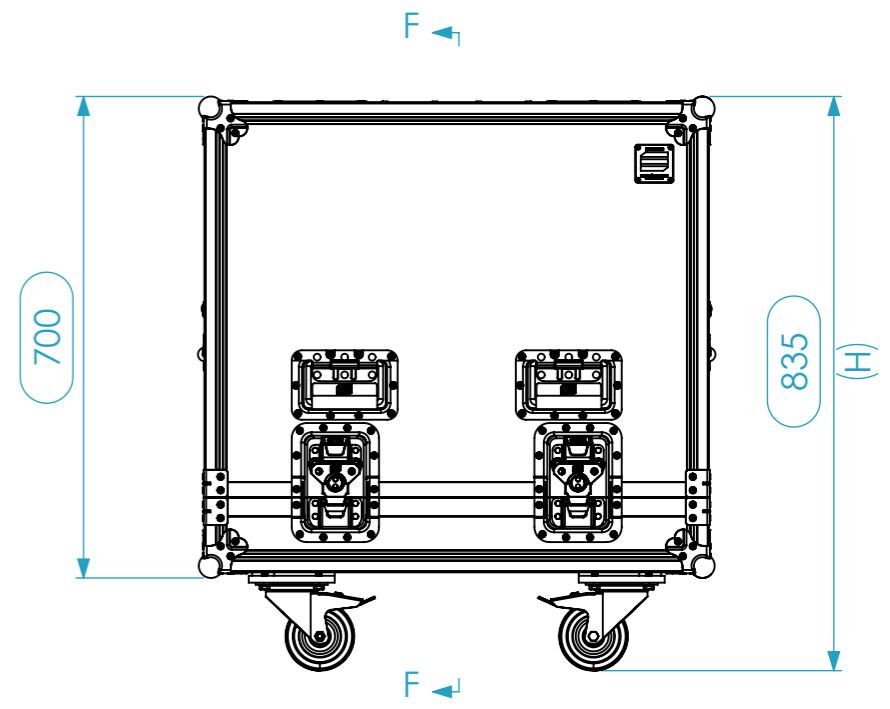
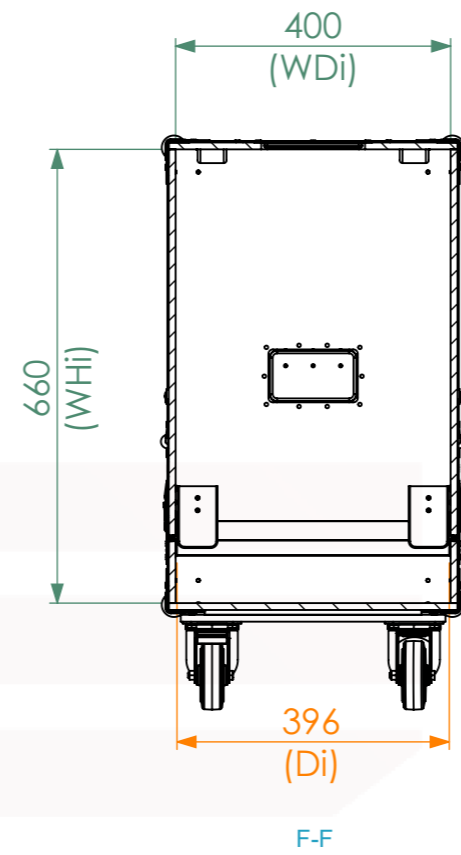


Internal Dimensions		
Width	Depth	Height
706	396	656
Weight	Approx. 29 Kg	
Wall Thickness		10mm



General External Dimensions		Usable Inner Dimensions (UID)		Wood Inner Dimensions (WID)	
W	Width	Wi	Inside Width	WWi	Wood Inside Width
D	Depth	Di	Inside Depth	WDi	Wood Inside Depth
H	Height	Hi	Inside Height	WHi	Wood Inside Height

A3 This drawing must not be copied or disclosed without consent of the owner

Drawn by	Name	Date
projects		07/09/2021
Reference	X12IR.0754470	
Scale	units in mm	general tolerance
1:1	DO NOT SCALE	0.8mm
1st Angle projection	FC, X12I, 706X396X656	

