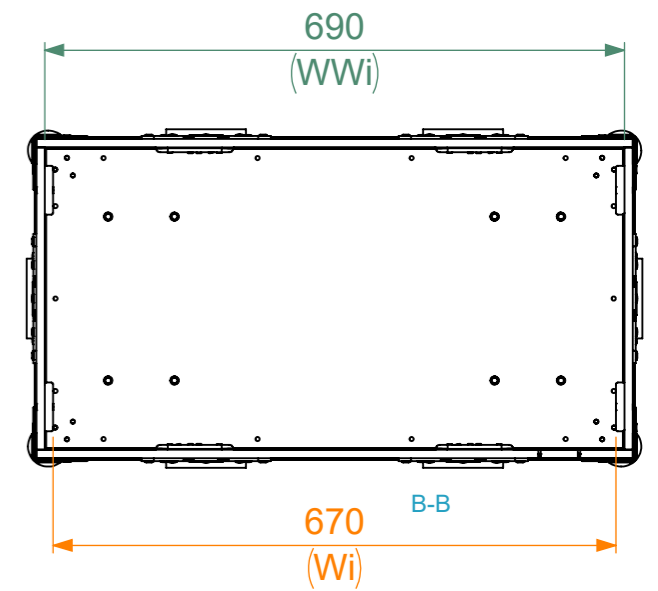
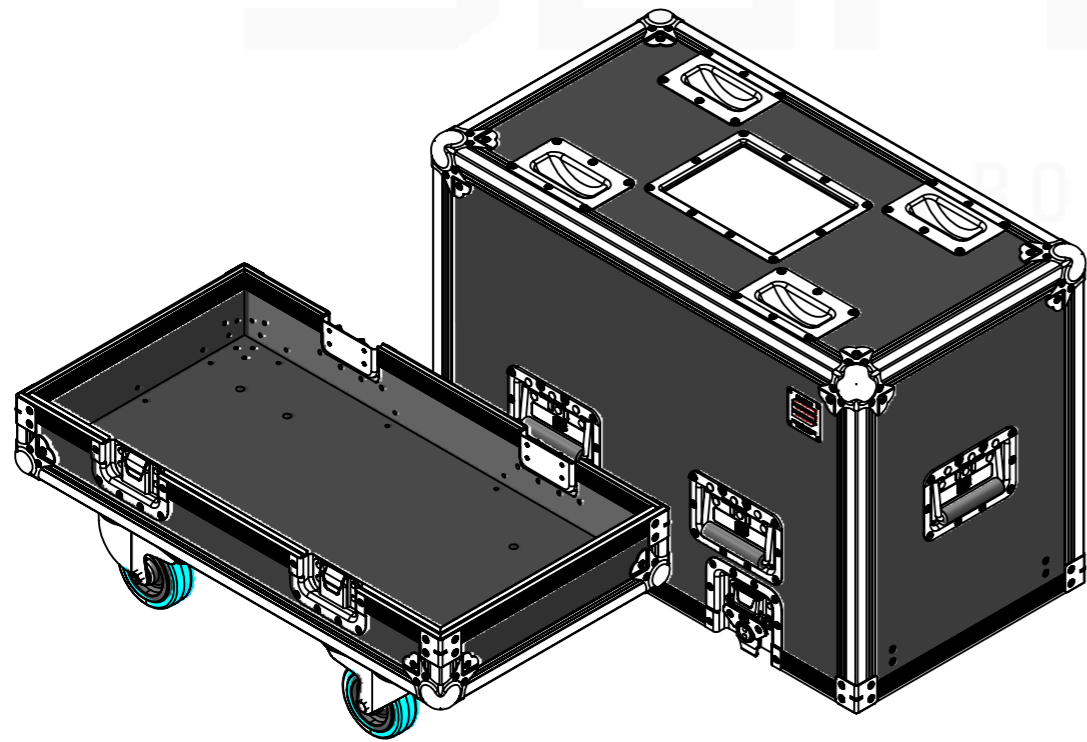
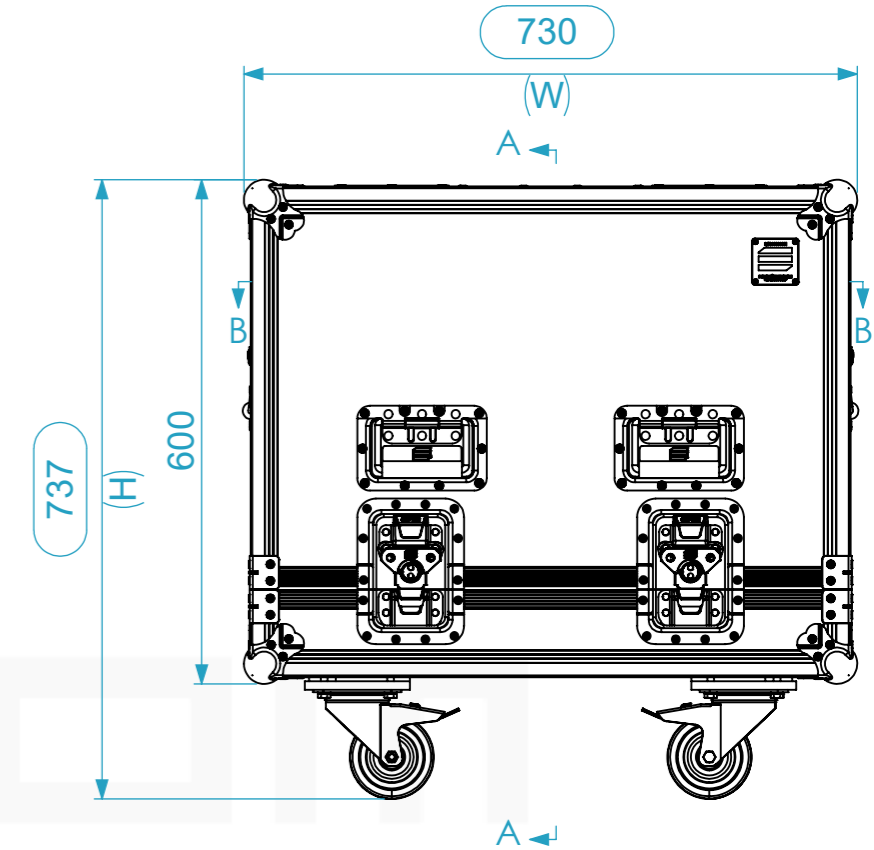
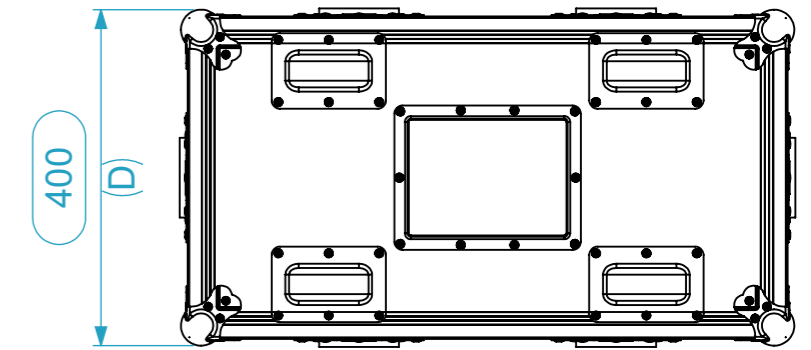
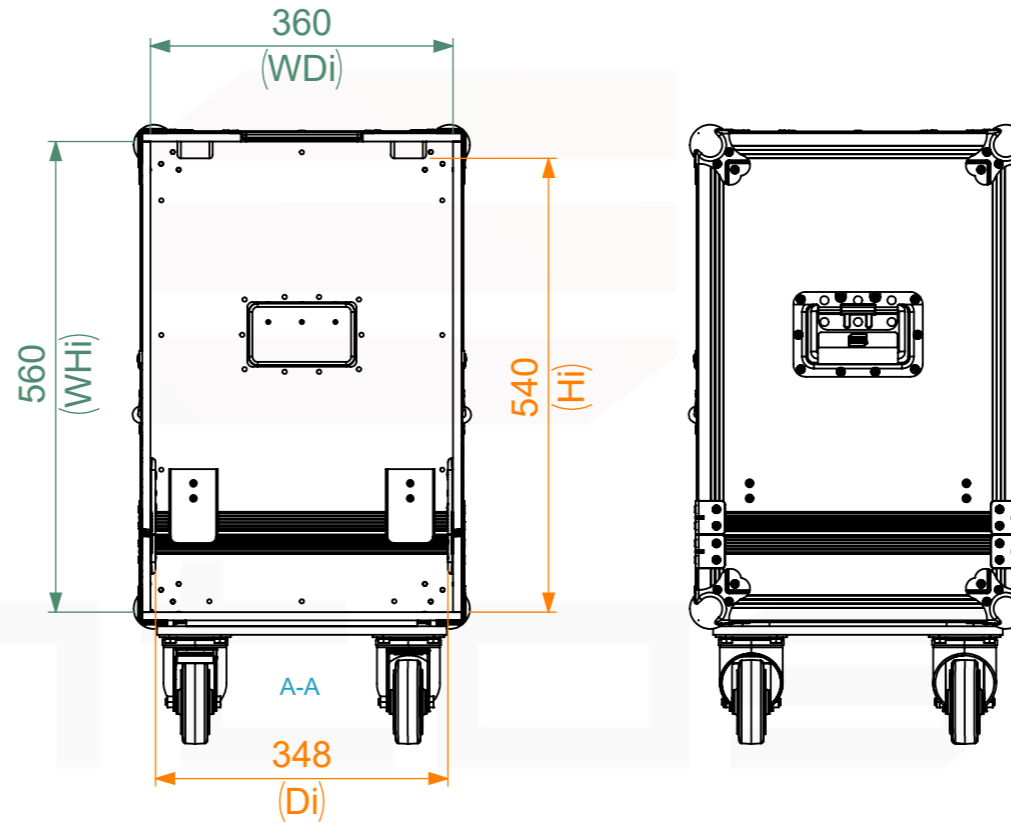
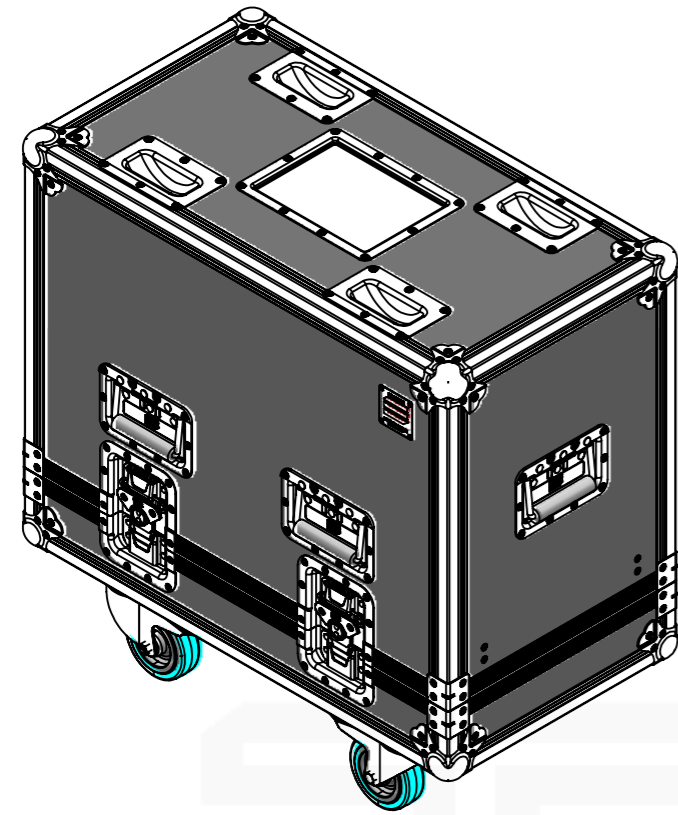


Internal Dimensions		
Width	Depth	Height
686	356	556
FC Weight	Approx. 24 Kg	
Wall Thickness		10mm



General External Dimensions		Usable Inner Dimensions (UID)		Wood Inner Dimensions (WID)	
W	Width	Wi	Inside Width	WWi	Wood Inside Width
D	Depth	Di	Inside Depth	WDi	Wood Inside Depth
H	Height	Hi	Inside Height	WHi	Wood Inside Height

This drawing must not be copied or disclosed without consent of the owner

Drawn by	Name	Date
guilherme.santos	guilherme.santos	22/05/2026
Reference	X12IR.0704460	
Scale	units in mm	general tolerance
1:9	DO NOT SCALE	0.8mm
FC X12IR, 656x396x556mm		

