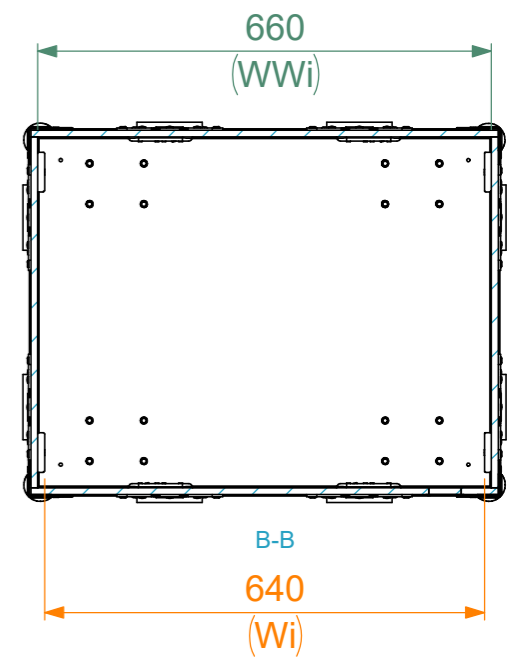
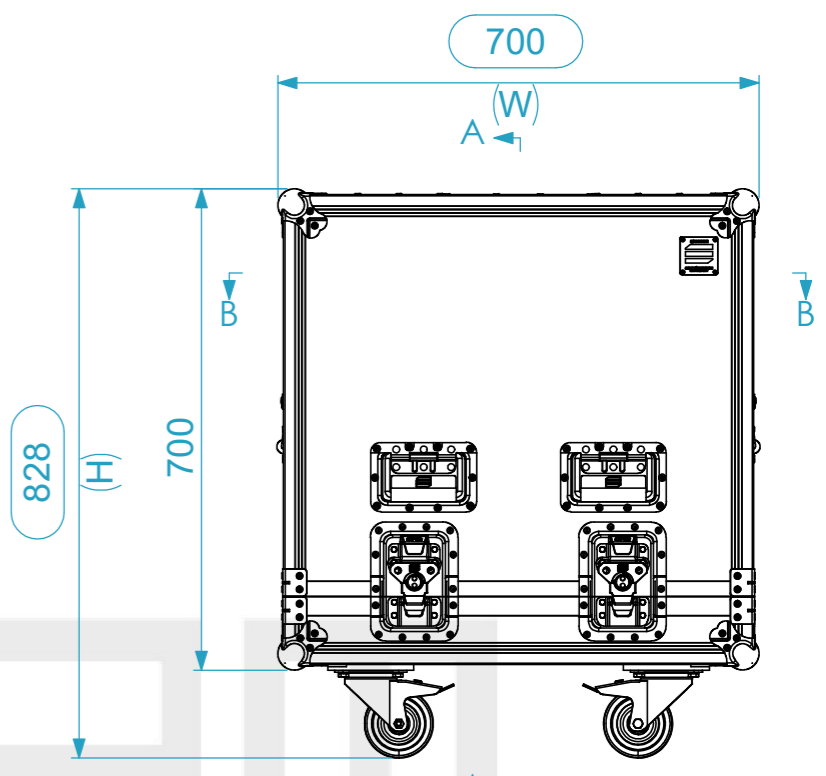
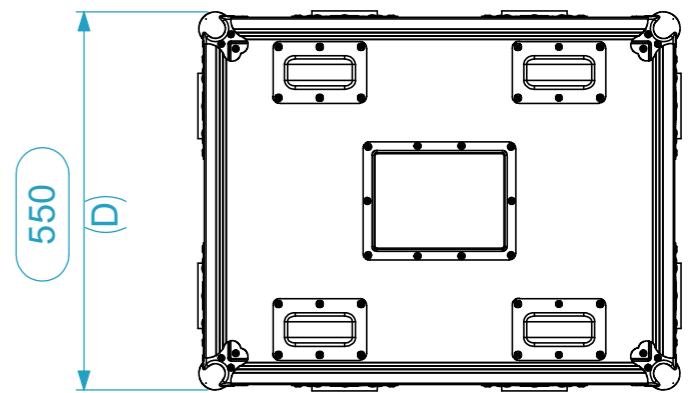
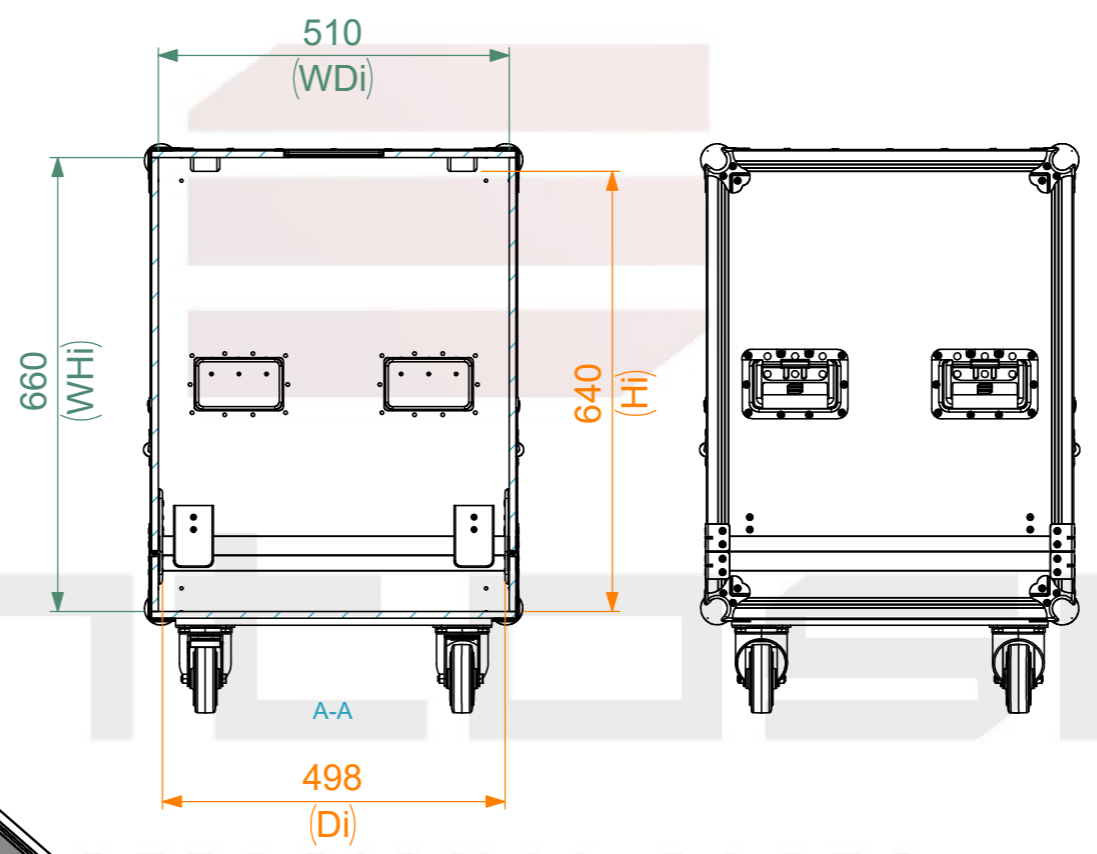
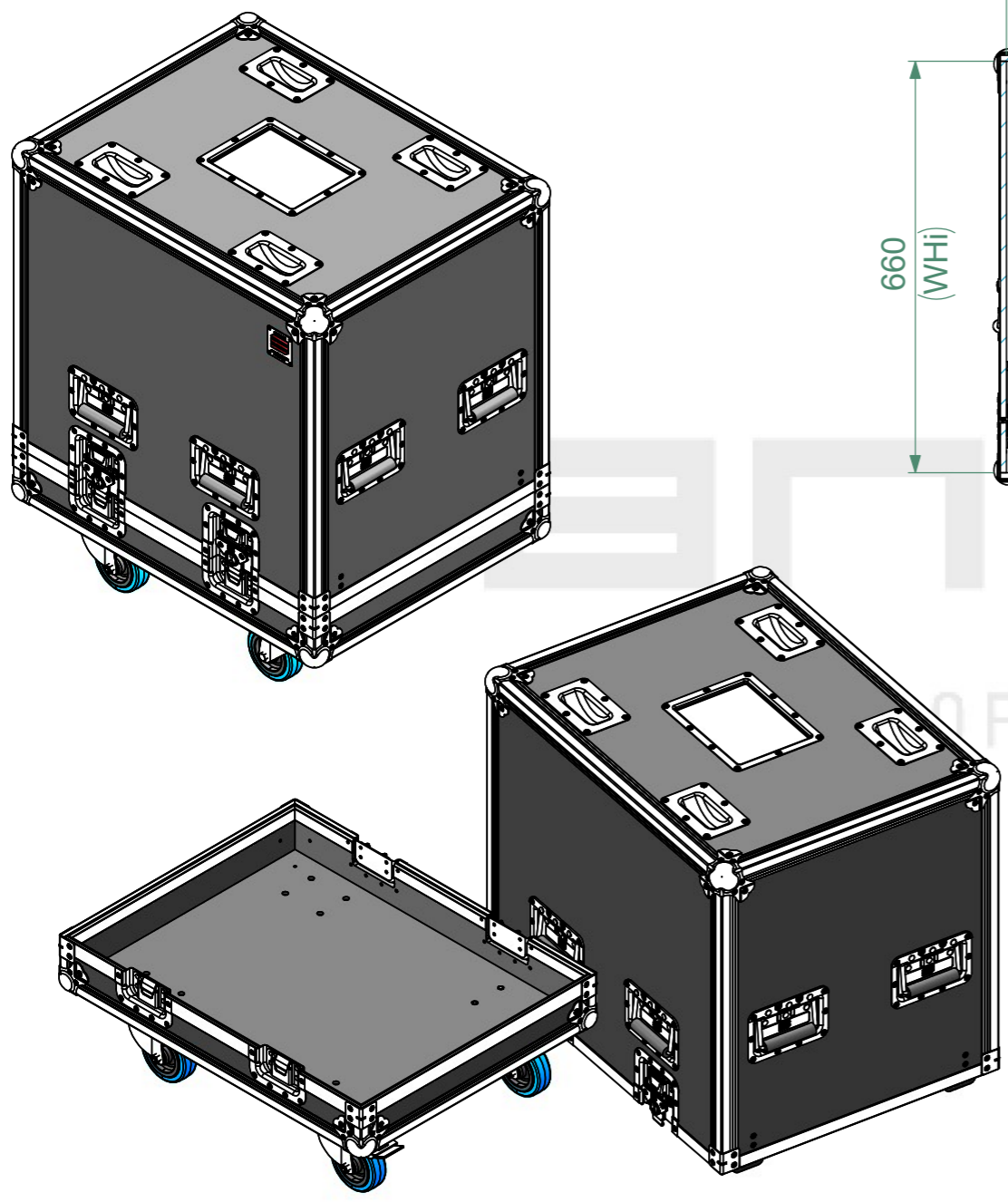


Internal Dimensions		
Width	Depth	Height
640	498	640
Weight	Approx. 31 Kg	
Wall Thickness	10mm	



General External Dimensions		Usable Inner Dimensions (UID)		Wood Inner Dimensions (WID)	
W	Width	Wi	Inside Width	WWi	Wood Inside Width
D	Depth	Di	Inside Depth	WDi	Wood Inside Depth
H	Height	Hi	Inside Height	WHi	Wood Inside Height

This drawing must not be copied or disclosed without consent of the owner

Drawn by	projects	Name	projects	Date	17/01/2024
Reference	X12IR.0705570	Scale	1:1	units in mm	general tolerance 0.8mm
				DO NOT SCALE	
				FC. X12IR	
				656x506x656 mm	

