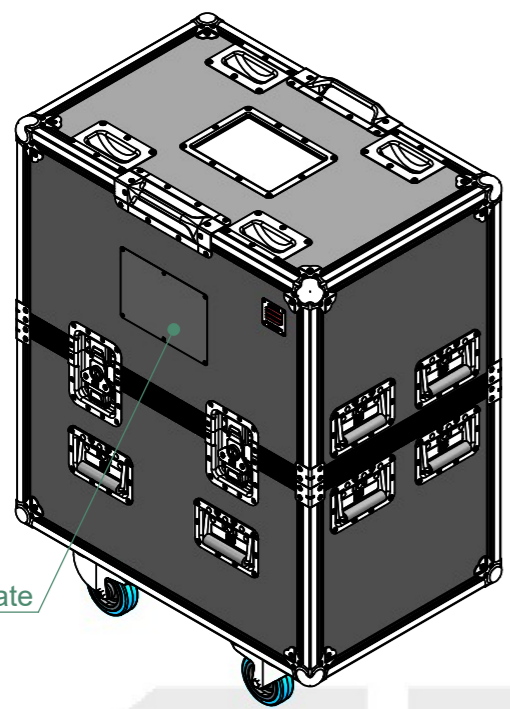
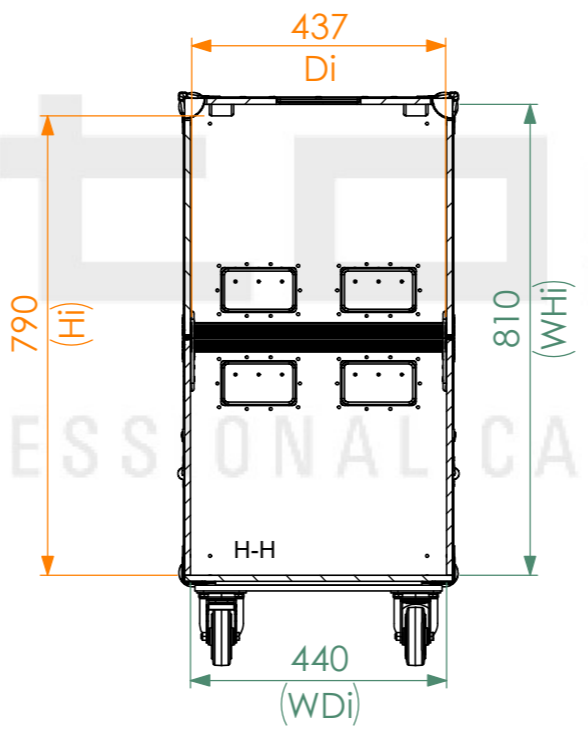
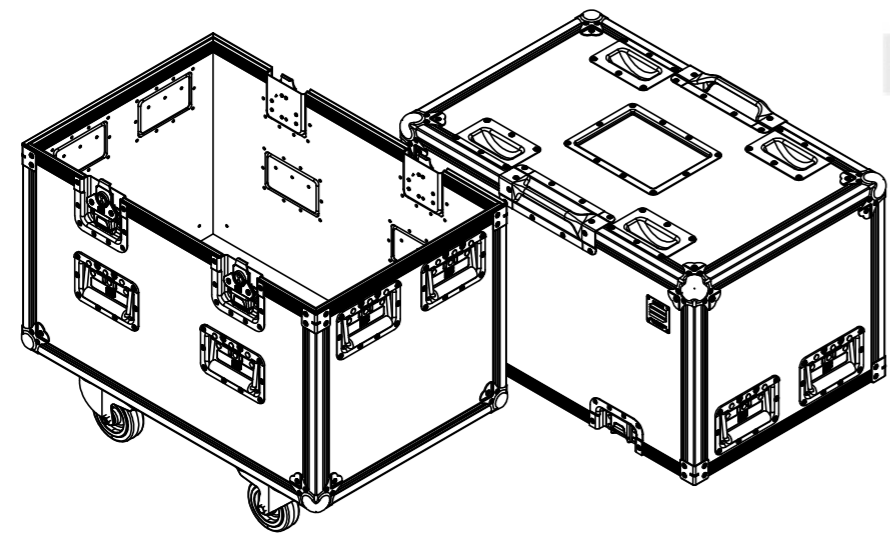
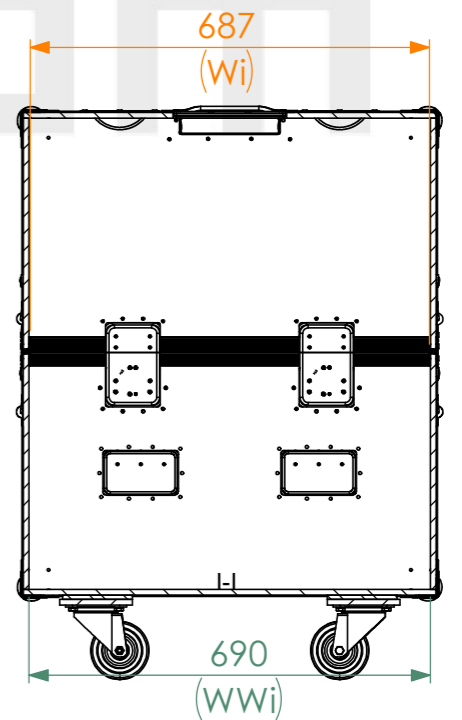
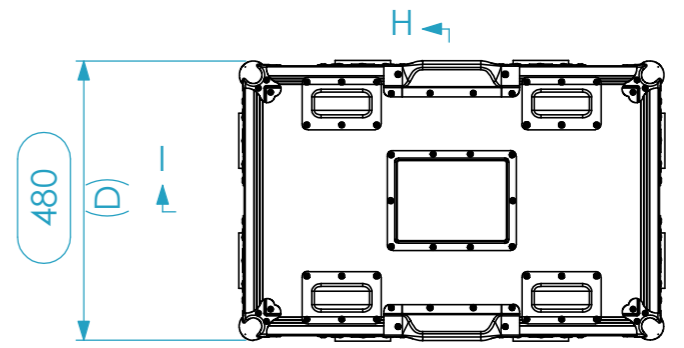
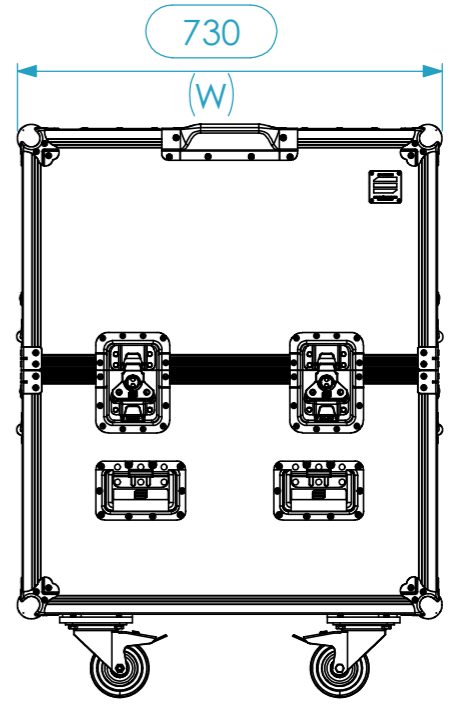
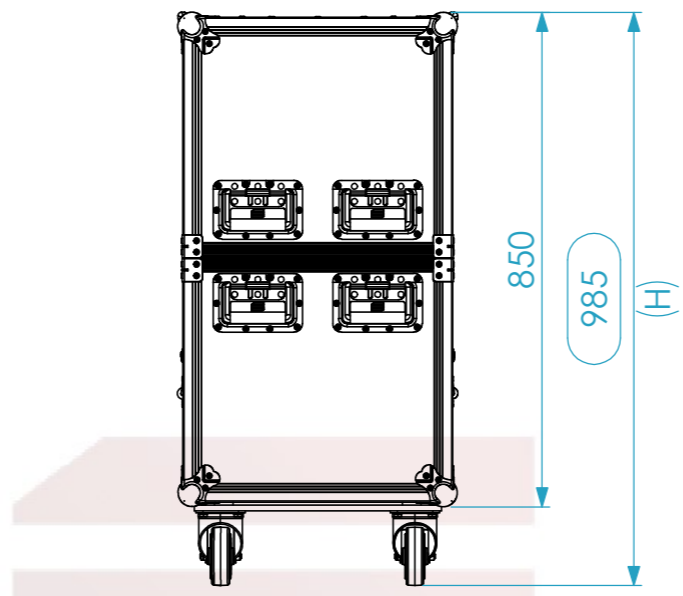


Internal Dimensions		
Width	Depth	Height
686	436	806
Weight	Approx. 32 Kg	
Wall Thickness	10mm	



Optional priting plate



General External Dimensions		Usable Inner Dimensions (UID)		Wood Inner Dimensions (WID)	
W	Width	Wi	Inside Width	WWi	Wood Inside Width
D	Depth	Di	Inside Depth	WDi	Wood Inside Depth
H	Height	Hi	Inside Height	WHi	Wood Inside Height

A3

This drawing must not be copied or disclosed without consent of the owner



Scale 1:13
units in mm
DO NOT SCALE
FC, X12D, 686x436x806

Name	Date
Drawn by jose.couto	12/09/2023
Reference	X12DR.0734885A

