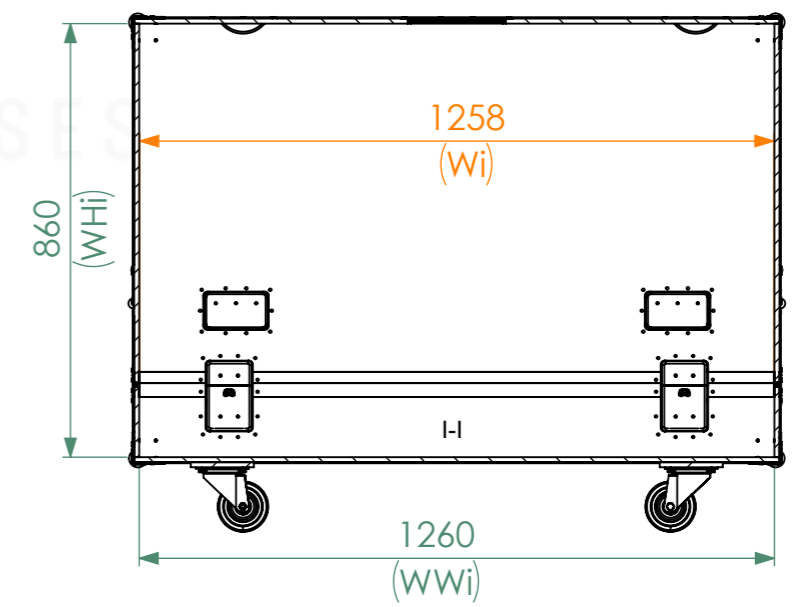
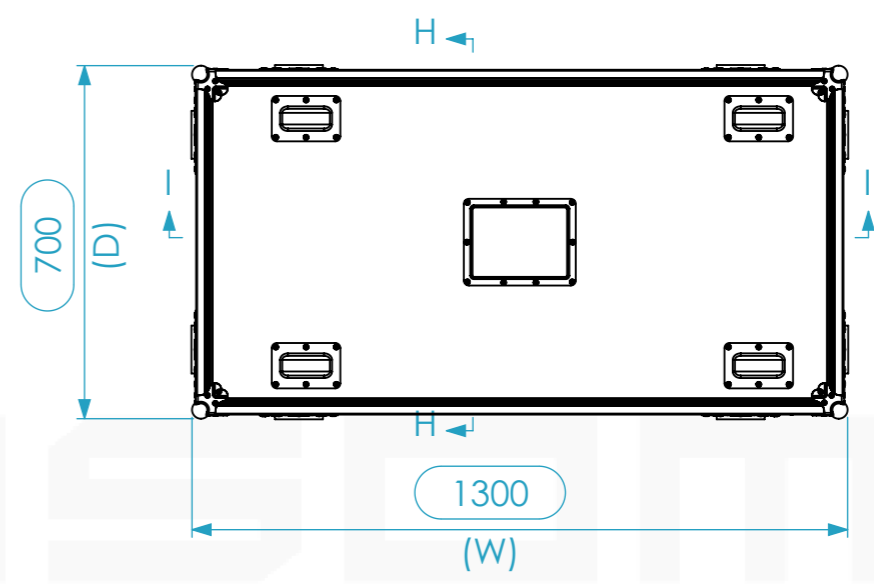
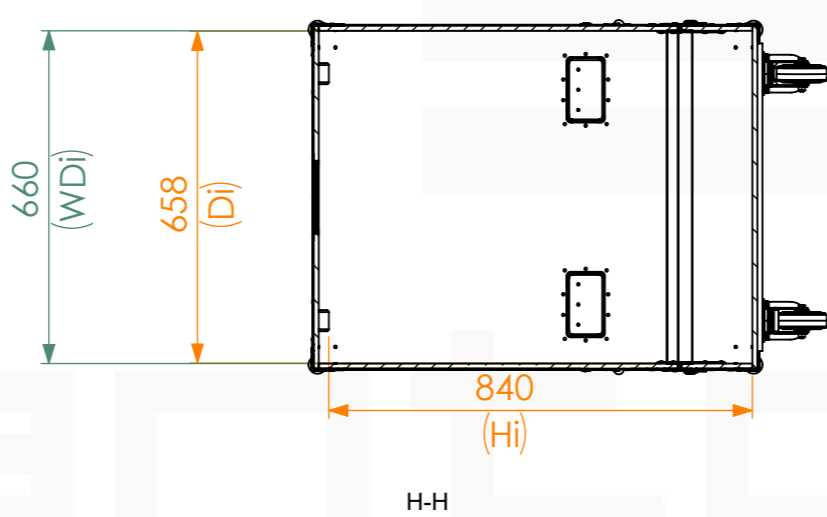
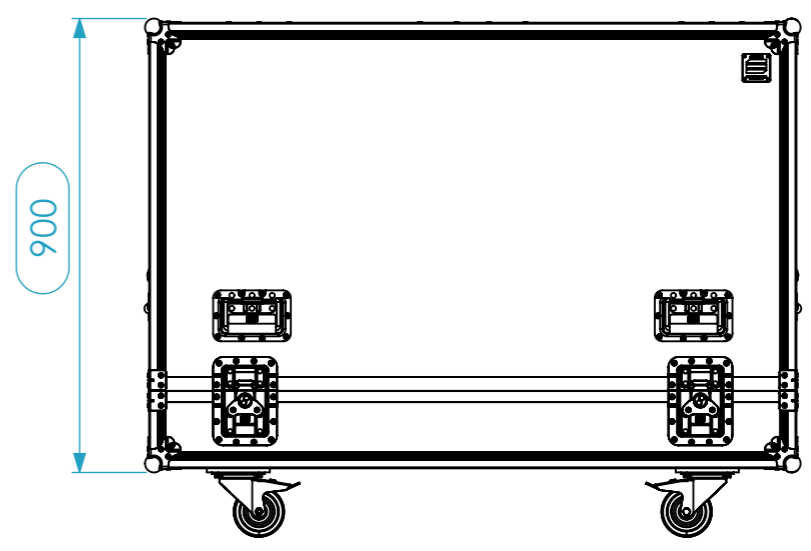
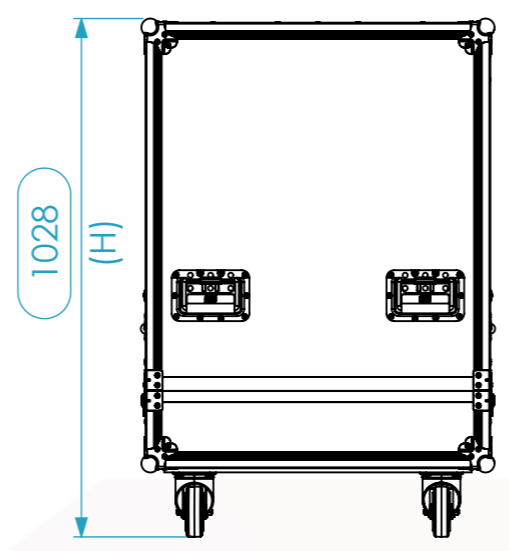
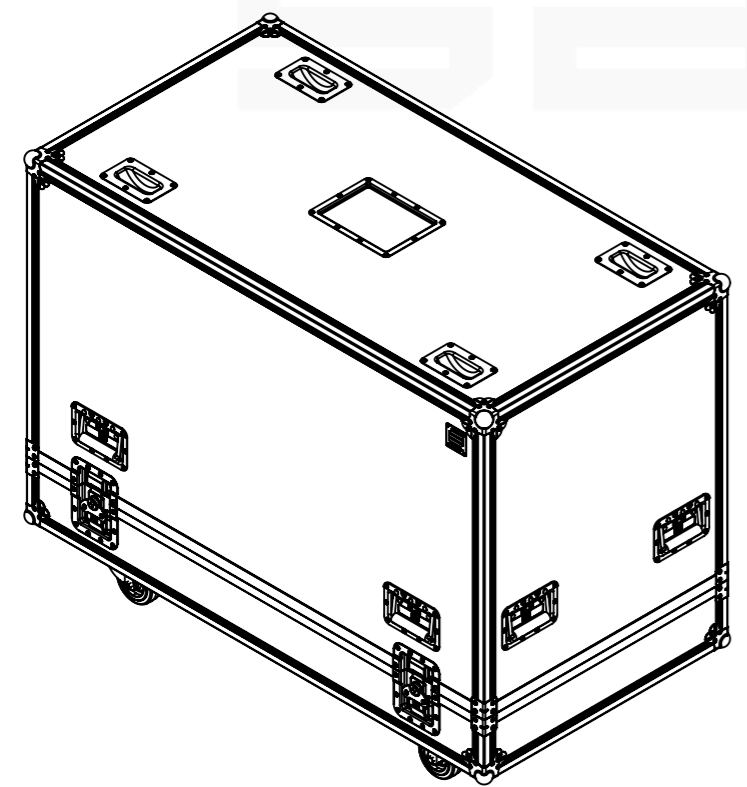
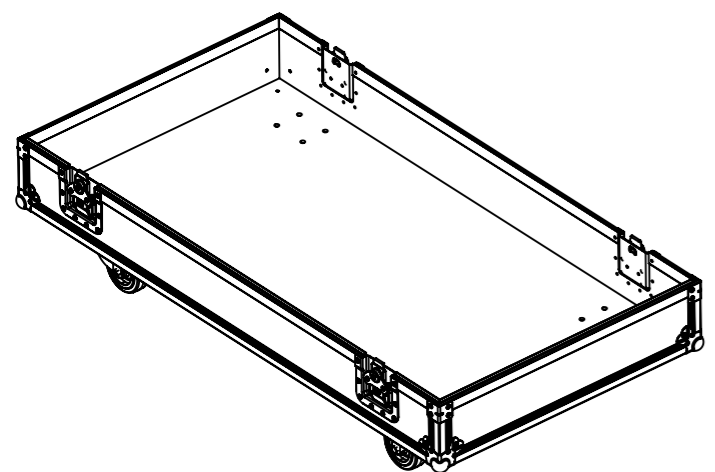


Internal Dimensions		
Width	Depth	Height
1256	656	856
Weight	Approx. 51 Kg	
Wall Thickness	10mm	



General External Dimensions		Usable Inner Dimensions (UID)		Wood Inner Dimensions (WID)	
W	Width	Wi	Inside Width	WWi	Wood Inside Width
D	Depth	Di	Inside Depth	WDi	Wood Inside Depth
H	Height	Hi	Inside Height	WHi	Wood Inside Height

This drawing must not be copied or disclosed without consent of the owner

Name	CarlaSilva	Date	27/06/2019
Reference	X12BR.1307090		
Scale	1:15	units in mm	general tolerance 0.8mm
FC. X12BR 1256x656x860 mm			

