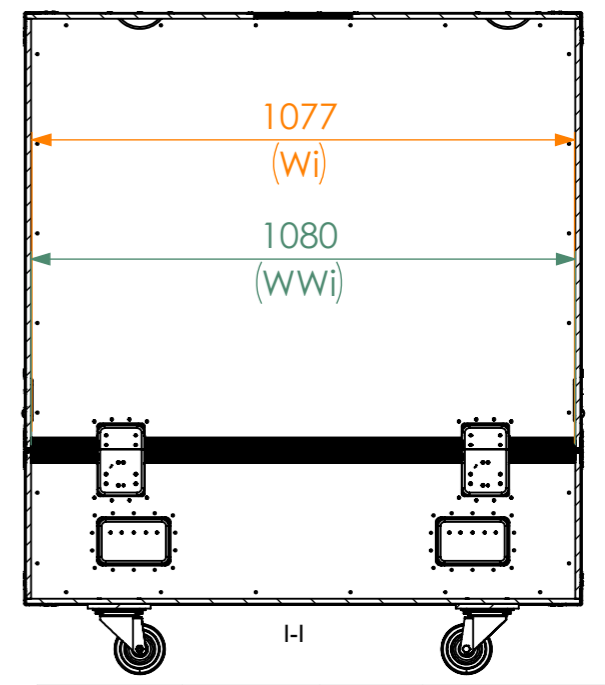
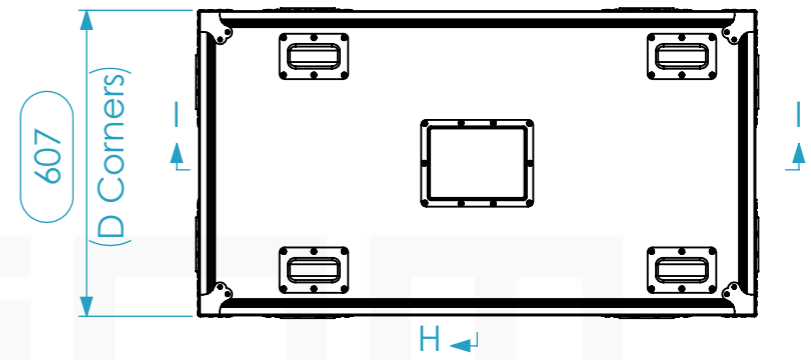
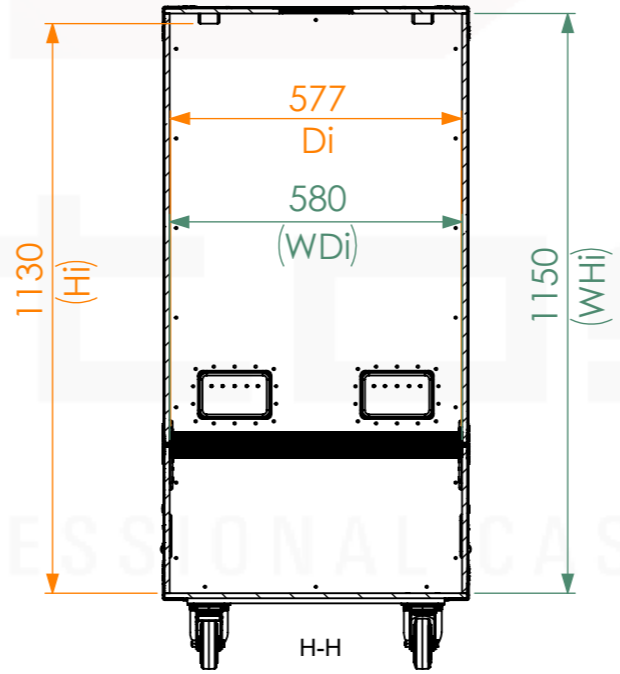
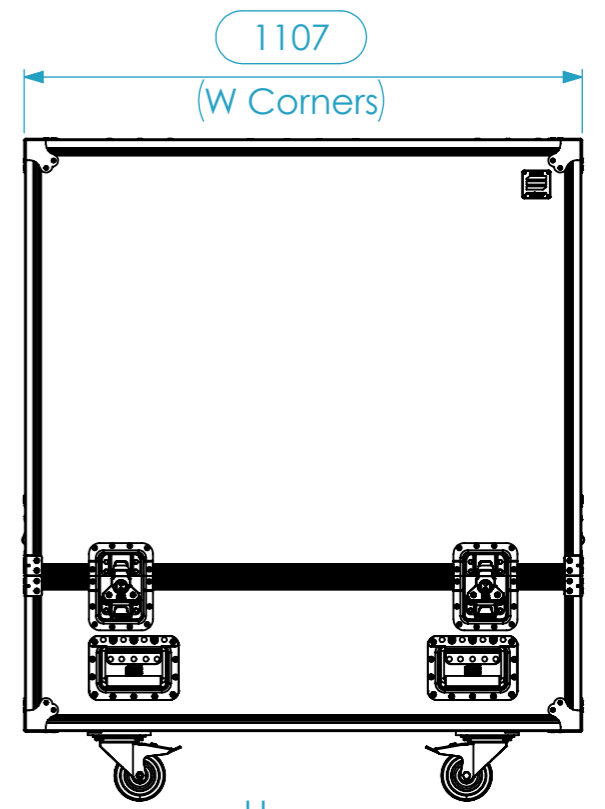
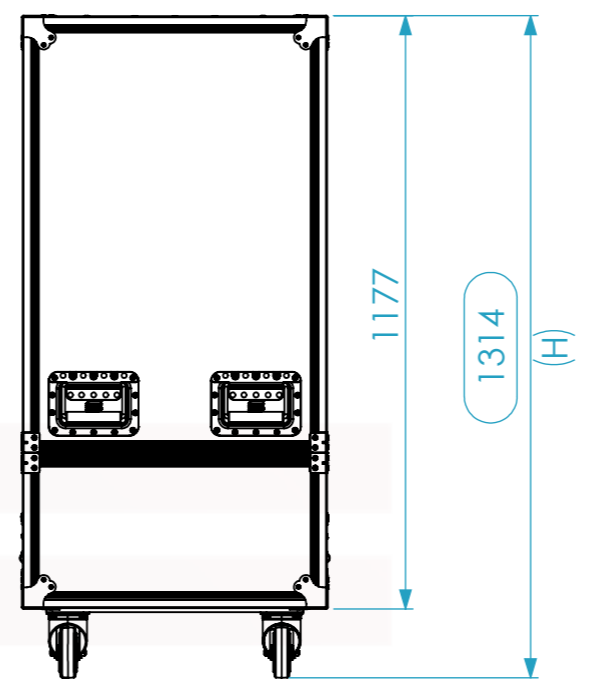
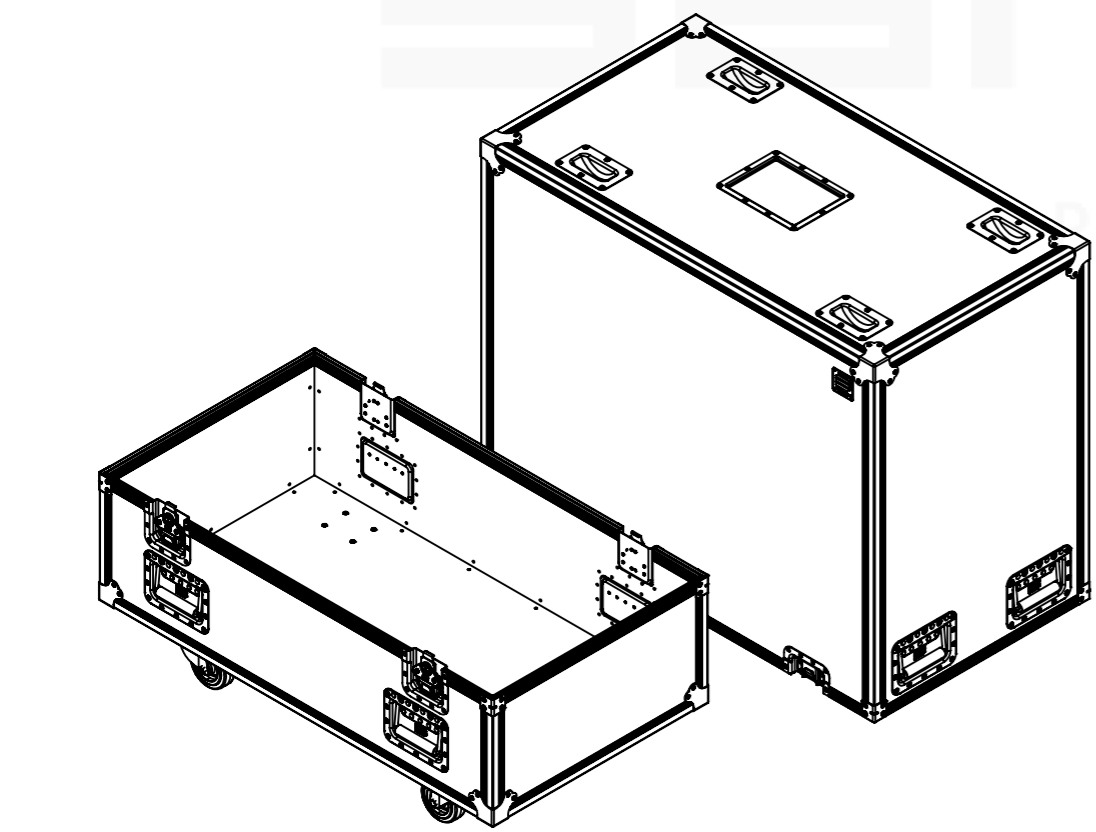
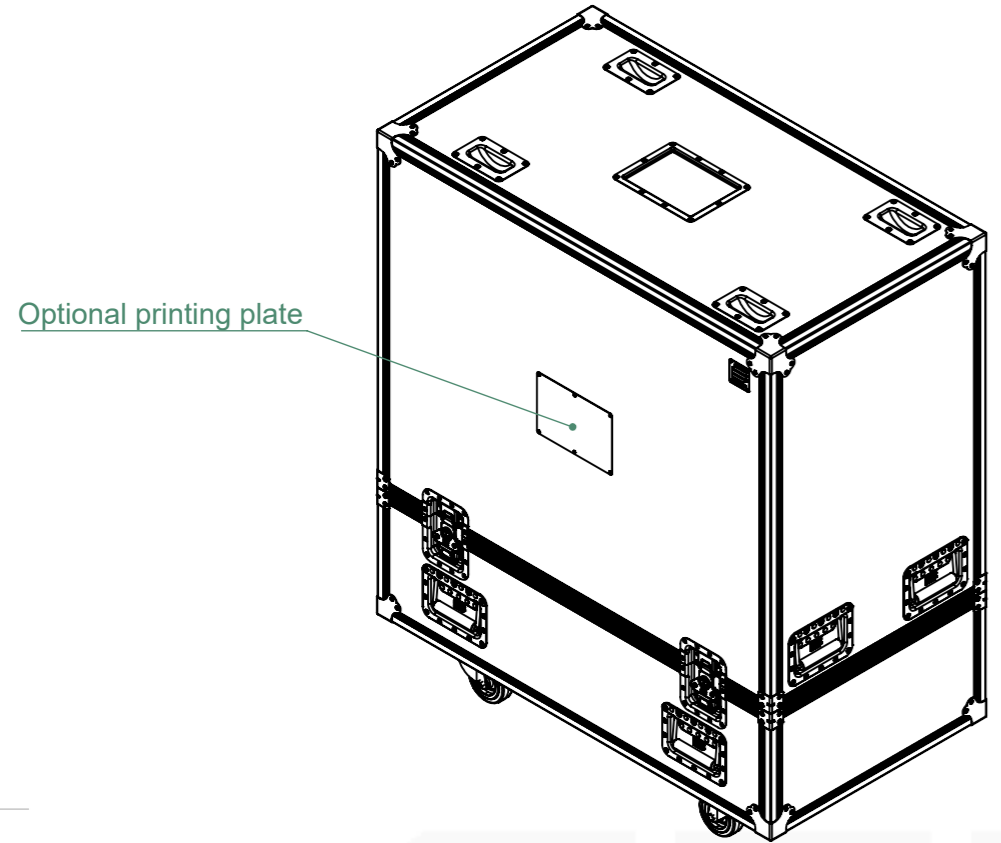


Internal Dimensions		
Width	Depth	Height
1056	556	1126
Weight	Approx. 56 Kg	
Wall Thickness	10mm	



General External Dimensions		Usable Inner Dimensions (UID)		Wood Inner Dimensions (WID)	
W	Width	Wi	Inside Width	WWi	Wood Inside Width
D	Depth	Di	Inside Depth	WDi	Wood Inside Depth
H	Height	Hi	Inside Height	WHi	Wood Inside Height

This drawing must not be copied or disclosed without consent of the owner

Drawn by	Name	Date
jose.couto	jose.couto	21/03/2025
Reference	X12BR.11060117R4N2	
Scale	units in mm	general tolerance
1:15	DO NOT SCALE	0.8mm
1st Angle projection	FC X12BR. 1056x556x1126mm (Régua 300) (MN2)	

