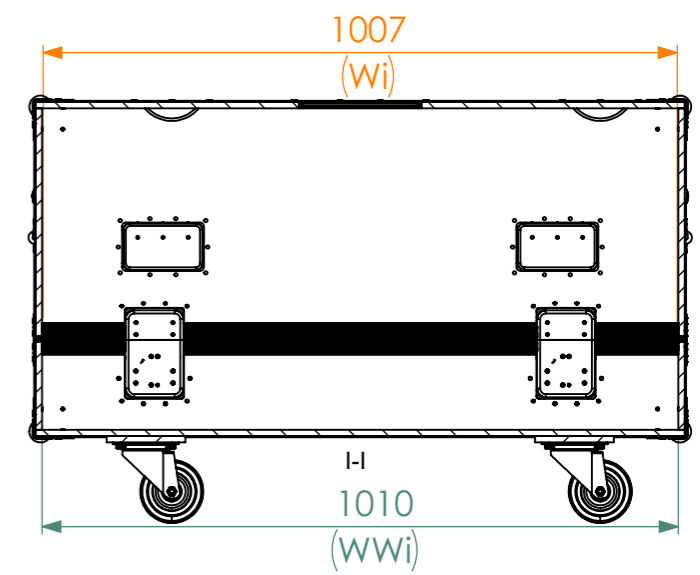
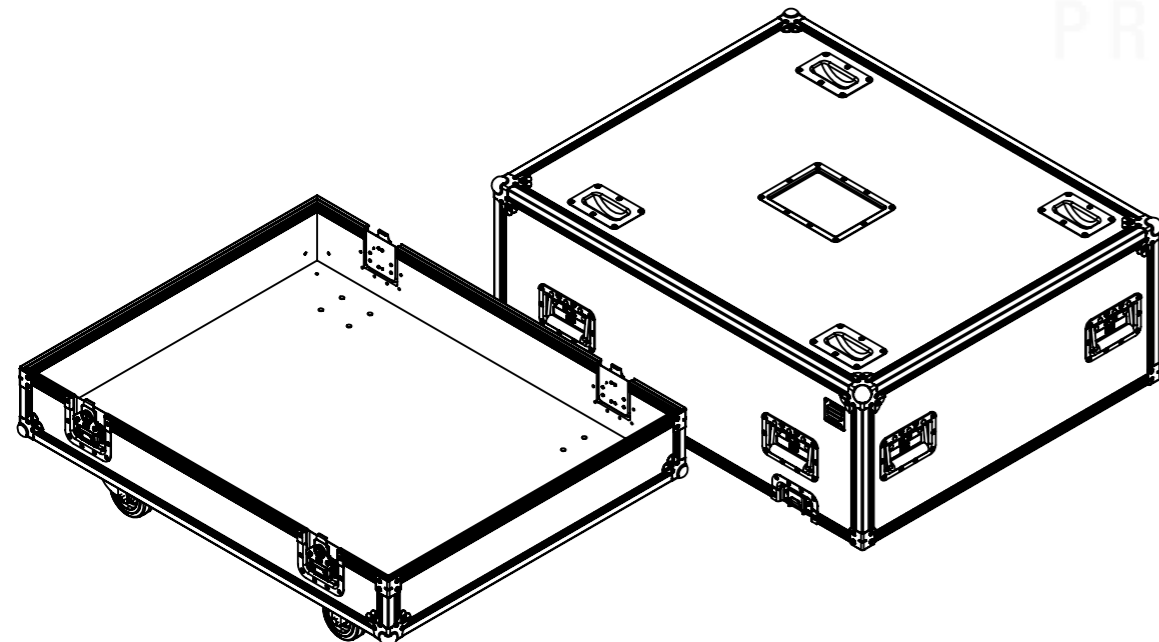
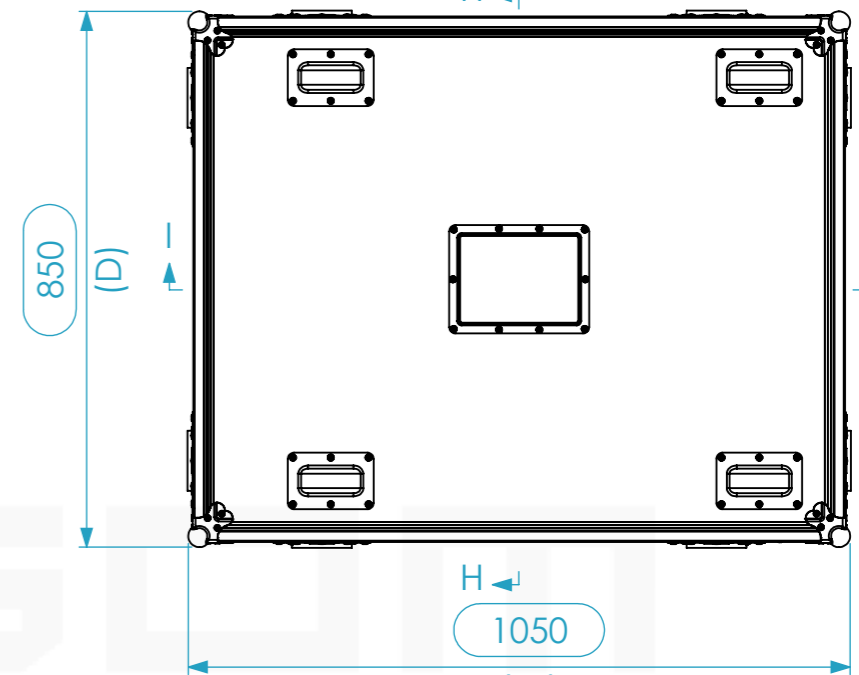
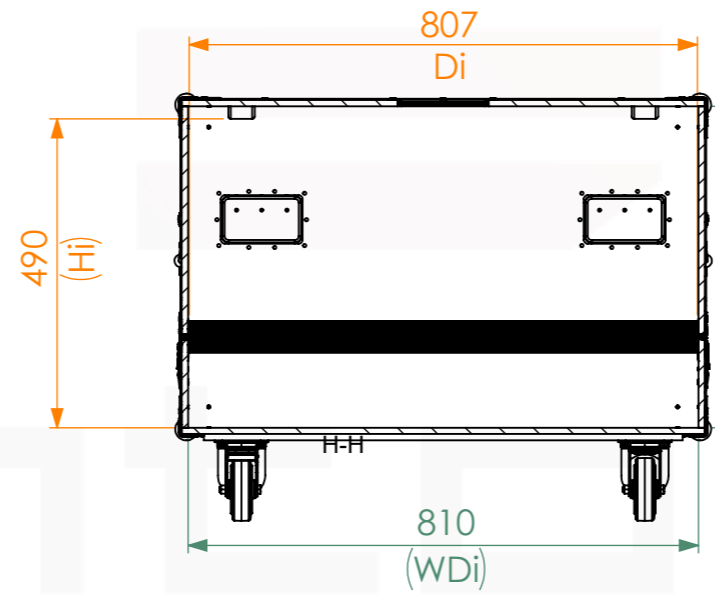
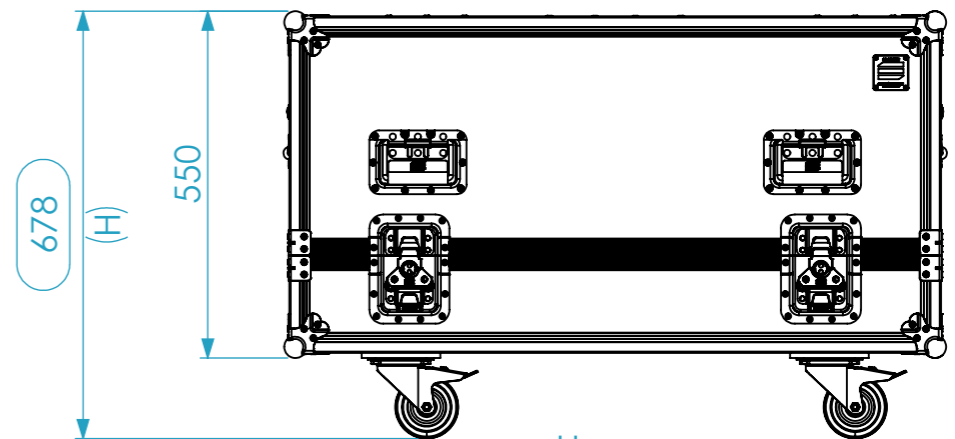
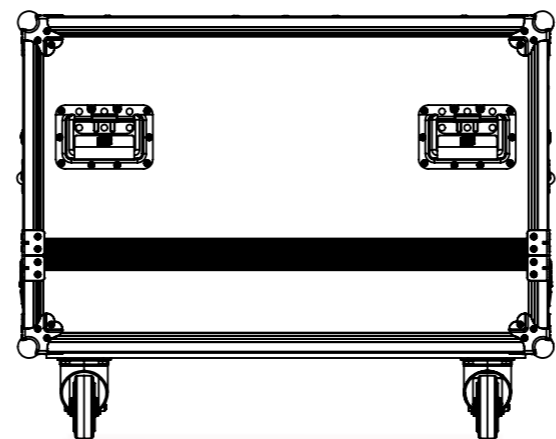
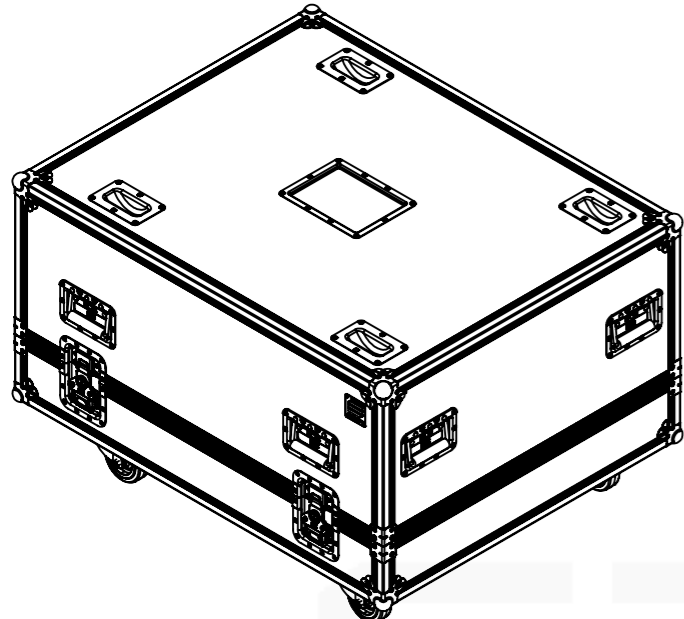


Internal Dimensions		
Width	Depth	Height
1006	806	506
Weight	Approx. 44 Kg	
Wall Thickness	10mm	



General External Dimensions		Usable Inner Dimensions (UID)		Wood Inner Dimensions (WID)	
W	Width	Wi	Inside Width	WWi	Wood Inside Width
D	Depth	Di	Inside Depth	WDi	Wood Inside Depth
H	Height	Hi	Inside Height	WHi	Wood Inside Height

A3 This drawing must not be copied or disclosed without consent of the owner

1st Angle projection

Scale 1:12  
units in mm DO NOT SCALE  
general tolerance 0.8mm  
FC X12B, 1006x806x506

Drawn by projects  
Reference X12BR.1058555  
Name Date  
projects 06/05/2022

