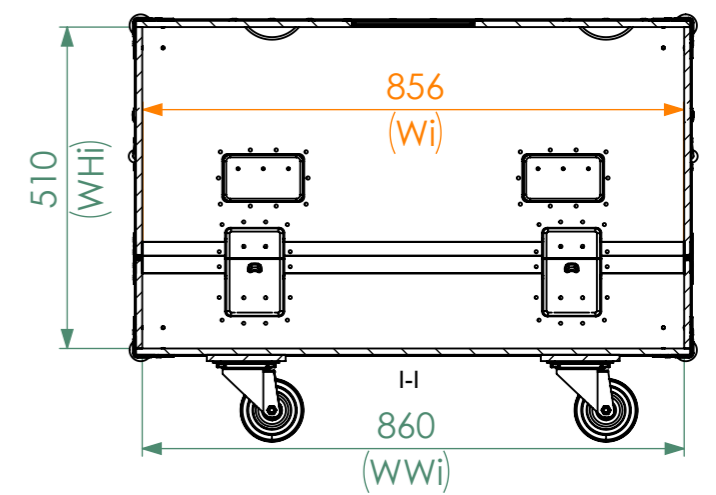
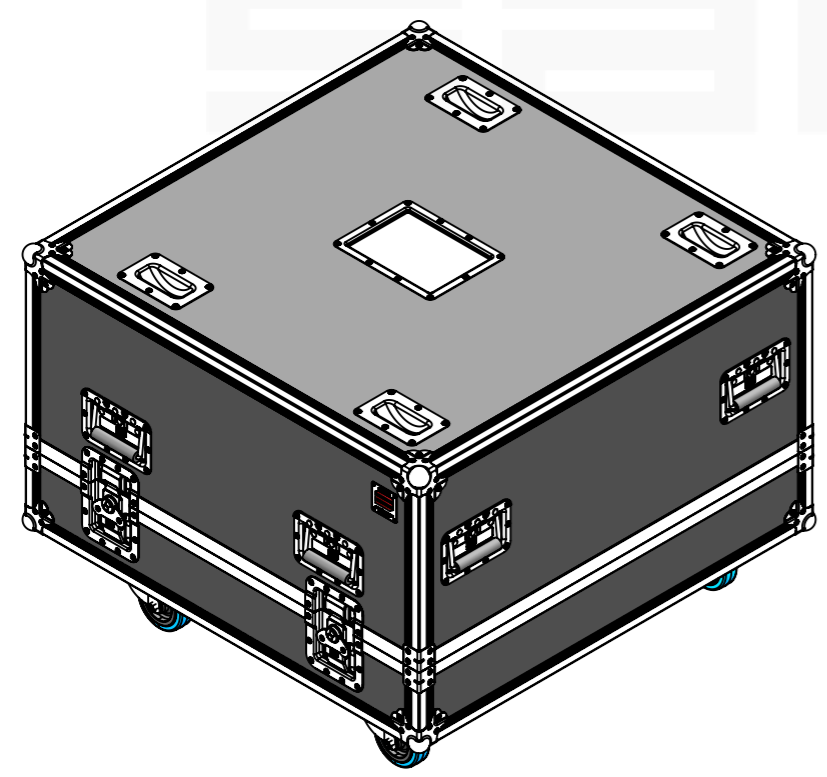
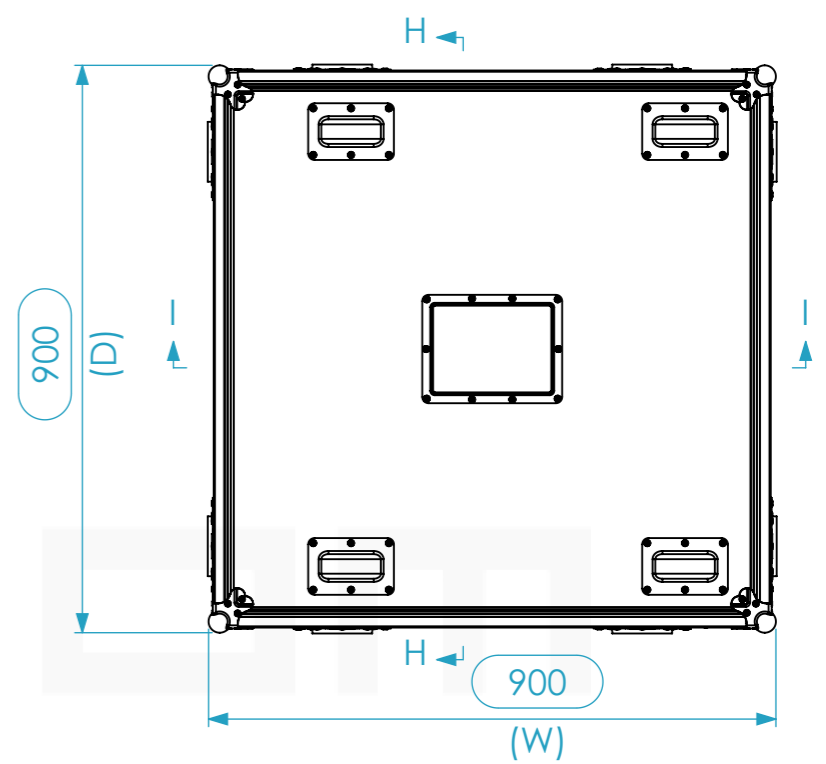
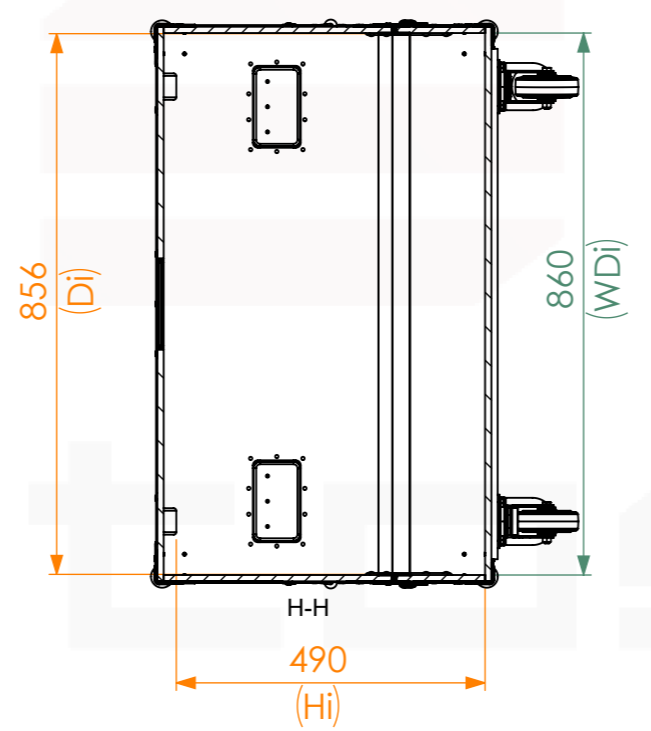
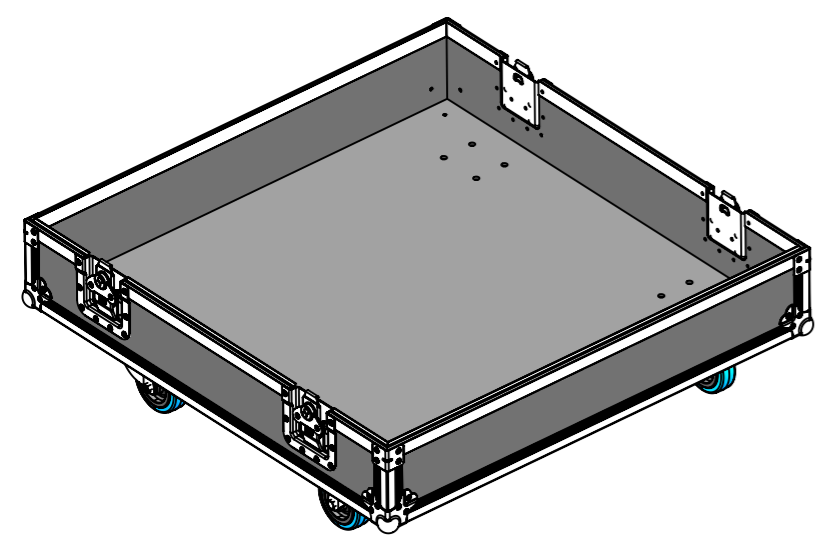
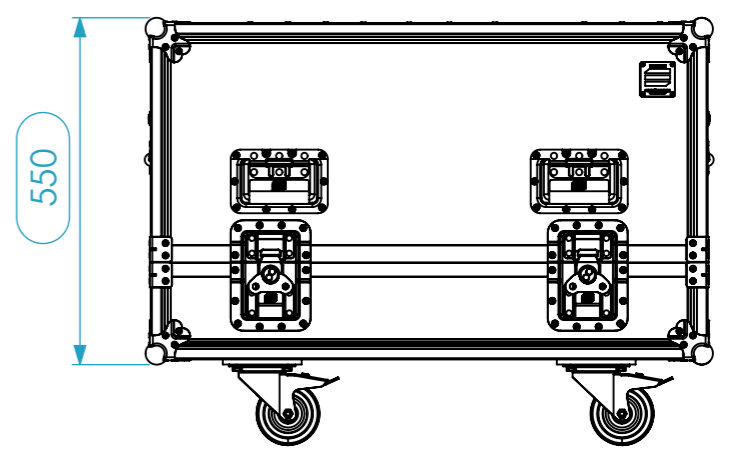
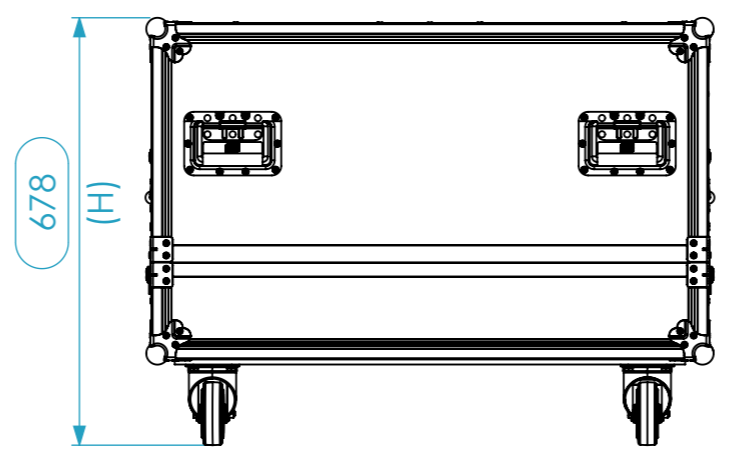


Internal Dimensions		
Width	Depth	Height
856	856	506
Weight	Approx. 40 Kg	
Wall Thickness	10mm	



General External Dimensions		Usable Inner Dimensions (UID)		Wood Inner Dimensions (WID)	
W	Width	Wi	Inside Width	WWi	Wood Inside Width
D	Depth	Di	Inside Depth	WDi	Wood Inside Depth
H	Height	Hi	Inside Height	WHi	Wood Inside Height

This drawing must not be copied or disclosed without consent of the owner

Drawn by	Name	Date
CatarinaHenriques	CatarinaHenriques	09/05/2019
Reference	X12BR.0909055	
Scale	units in mm	general tolerance
1:12	DO NOT SCALE	0.8mm
1st Angle projection	FC_X12B 856x856x506mm	



A3