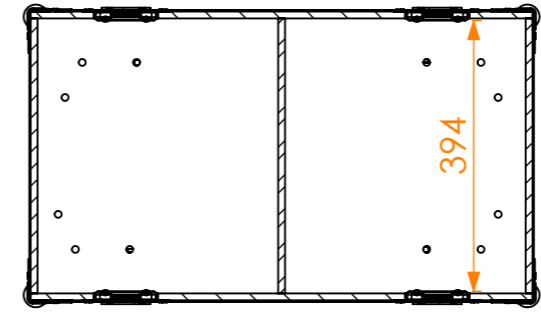
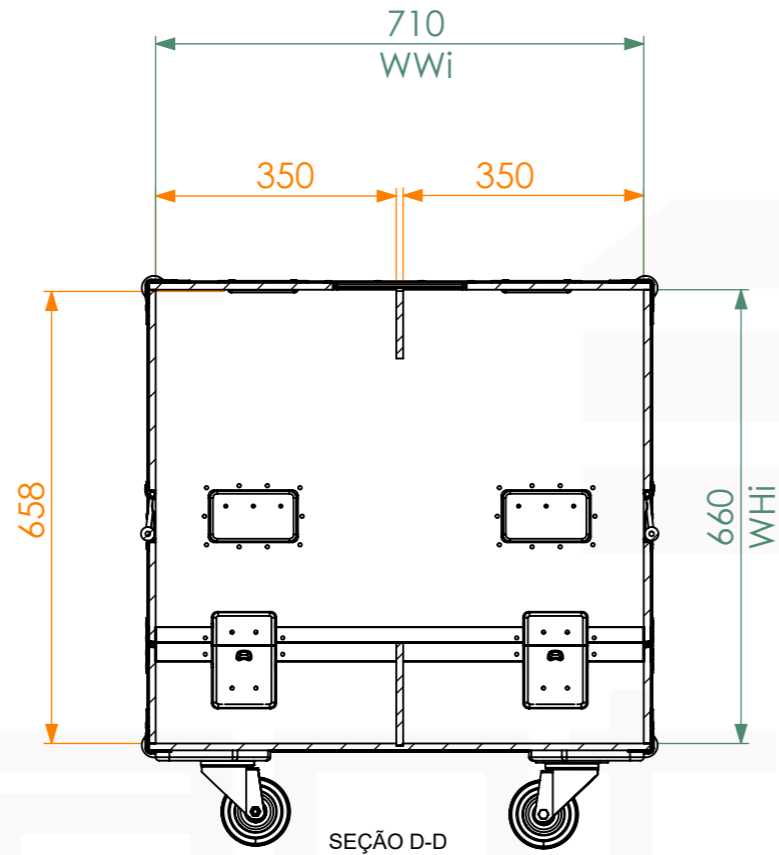


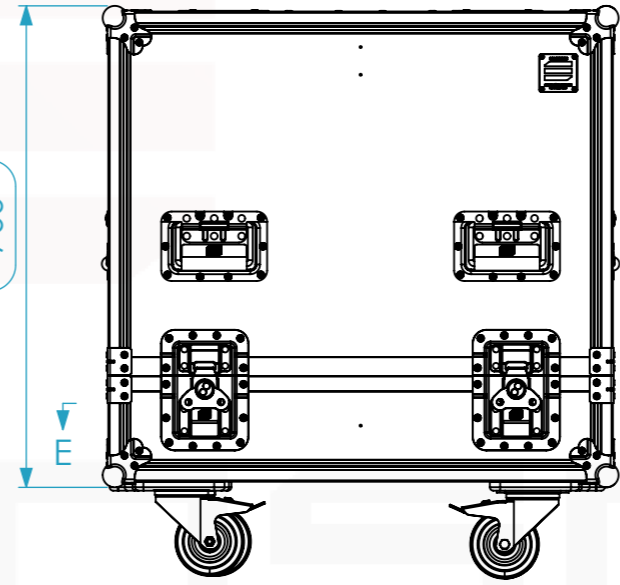
Internal Dimensions		
Width	Depth	Height
706	396	656
Weight	Approx. 26 Kg	
Wall Thickness		10mm



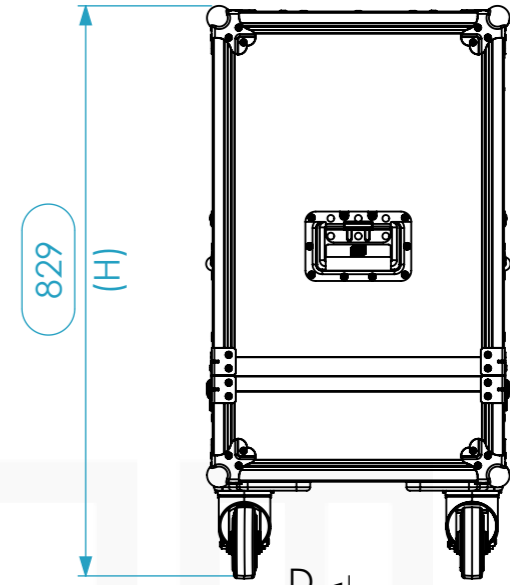
E-E



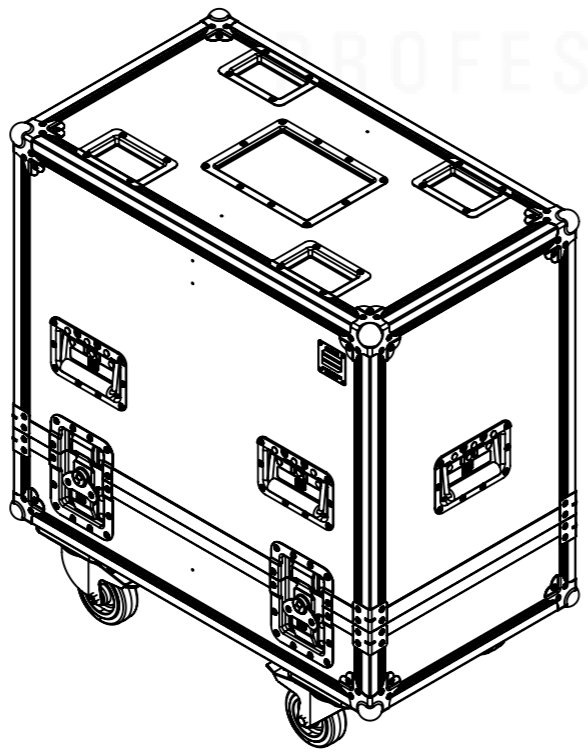
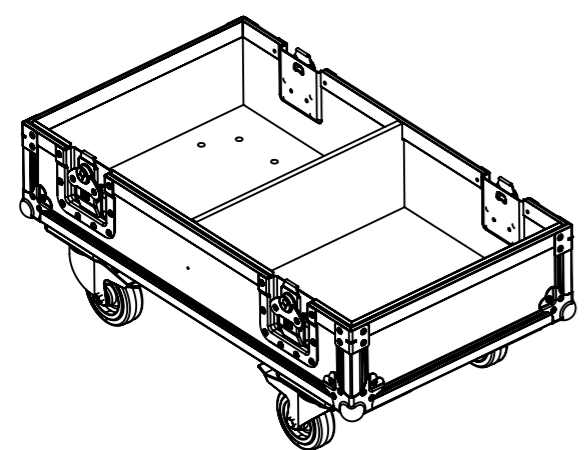
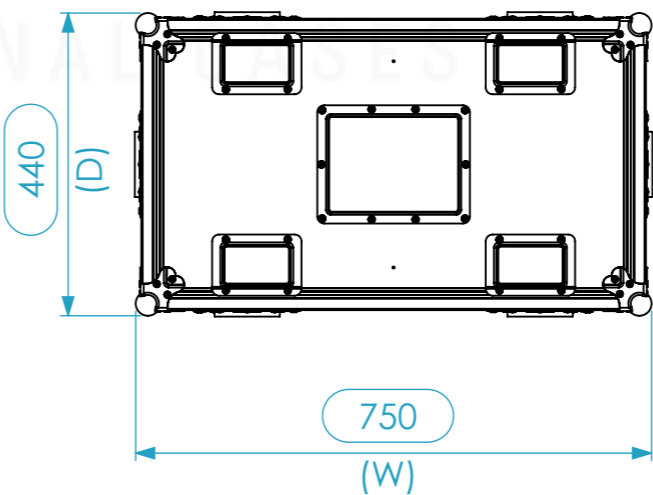
SEÇÃO D-D



C-C



D-D



General External Dimensions	
W	Width
D	Depth
H	Height
Usable Inner Dimensions	
Wi	Inside Width
Di	Inside Depth
Hi	Inside Height
Wood Inner Dimensions	
WWi	Wood Inside Width
WDi	Wood Inside Depth
WHi	Wood Inside Height

Name	CatarinaDuque	Date	10-04-2018
Reference	X12BR.0854875.02A		
Scale	1:1	units in mm	DO NOT SCALE
Scale	1:1	general tolerance	0.8mm
1st Angle projection	FC X12BR 2X 400X440X710		

This drawing must not be copied or disclosed without consent of the owner

