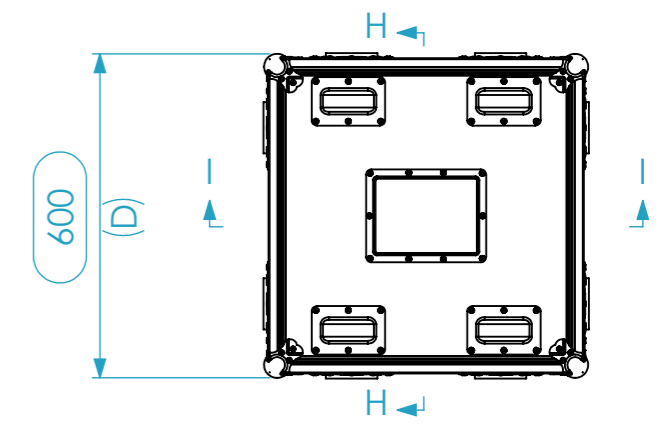
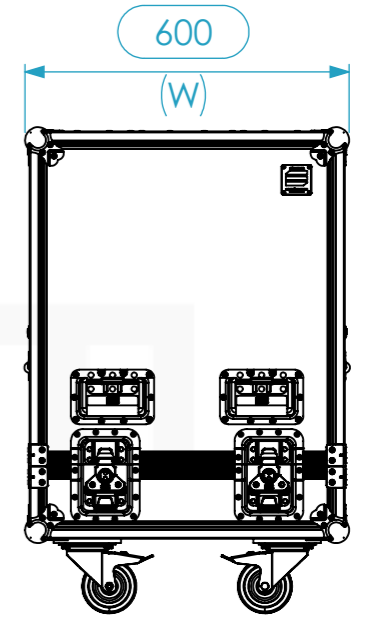
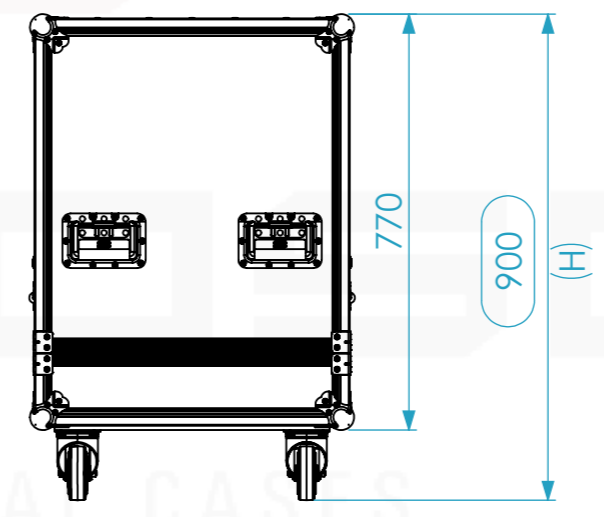
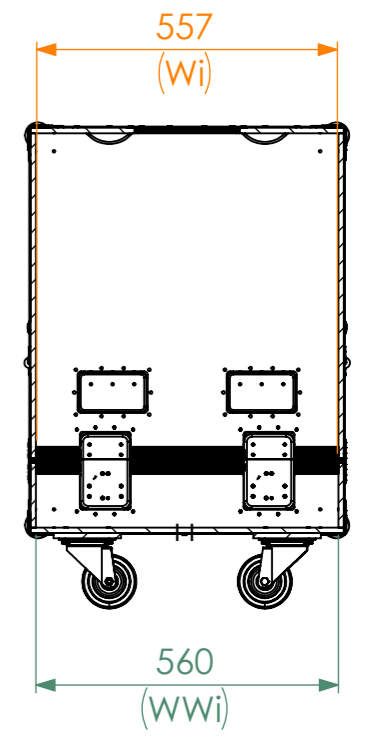
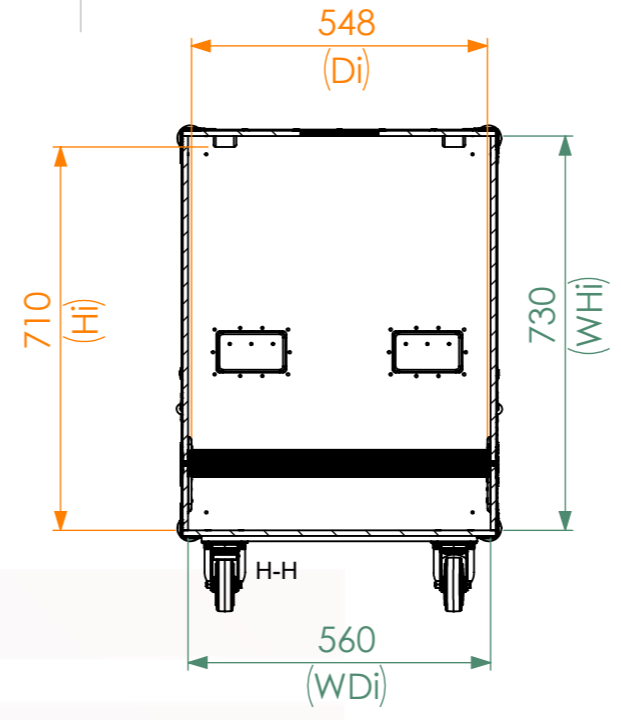


Internal Dimensions		
Width	Depth	Height
557	498	710
Weight	Approx. 29 Kg	
Wall Thickness		10mm



General External Dimensions		Usable Inner Dimensions (UID)		Wood Inner Dimensions (WID)	
W	Width	Wi	Inside Width	WWi	Wood Inside Width
D	Depth	Di	Inside Depth	WDi	Wood Inside Depth
H	Height	Hi	Inside Height	WHi	Wood Inside Height

A3 This drawing must not be copied or disclosed without consent of the owner

Drawn by	Name	Date
tiago.pais	tiago.pais	18/05/2026
Reference	X12BR.0606077	
Scale	units in mm	general tolerance
1:14	DO NOT SCALE	0.8mm
FC. X12BR. 556x556x726		

