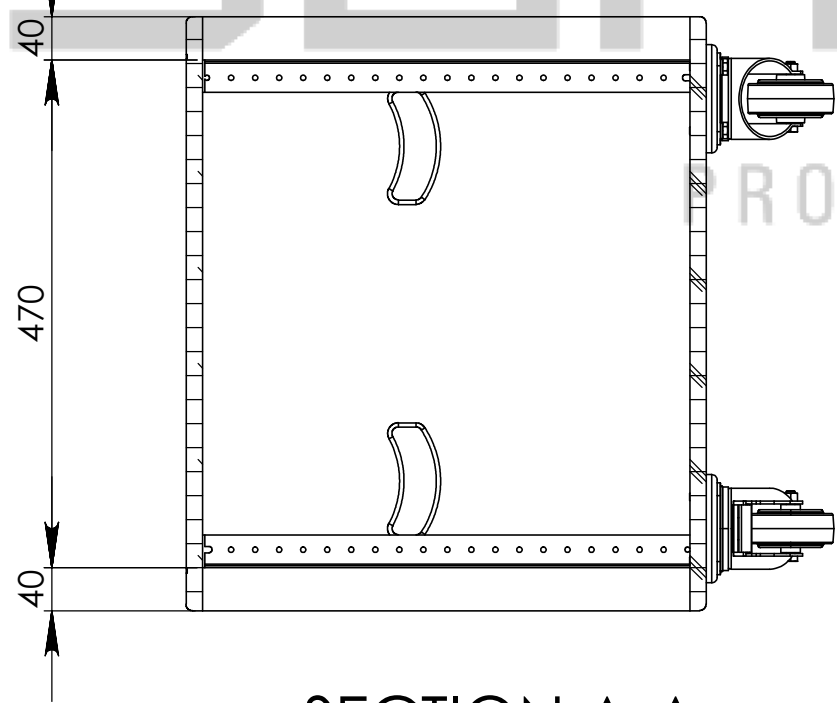
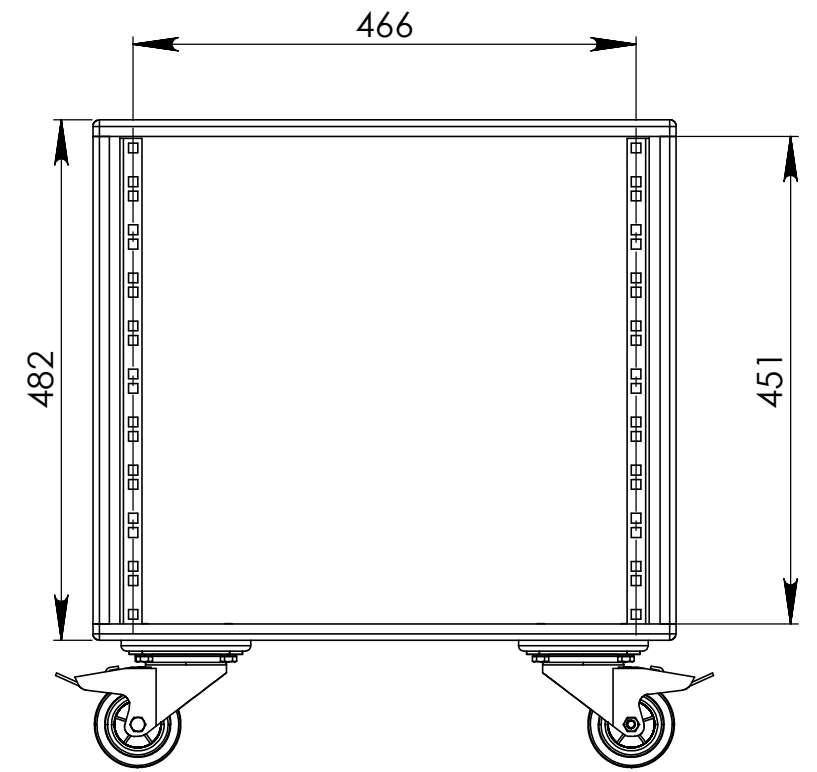
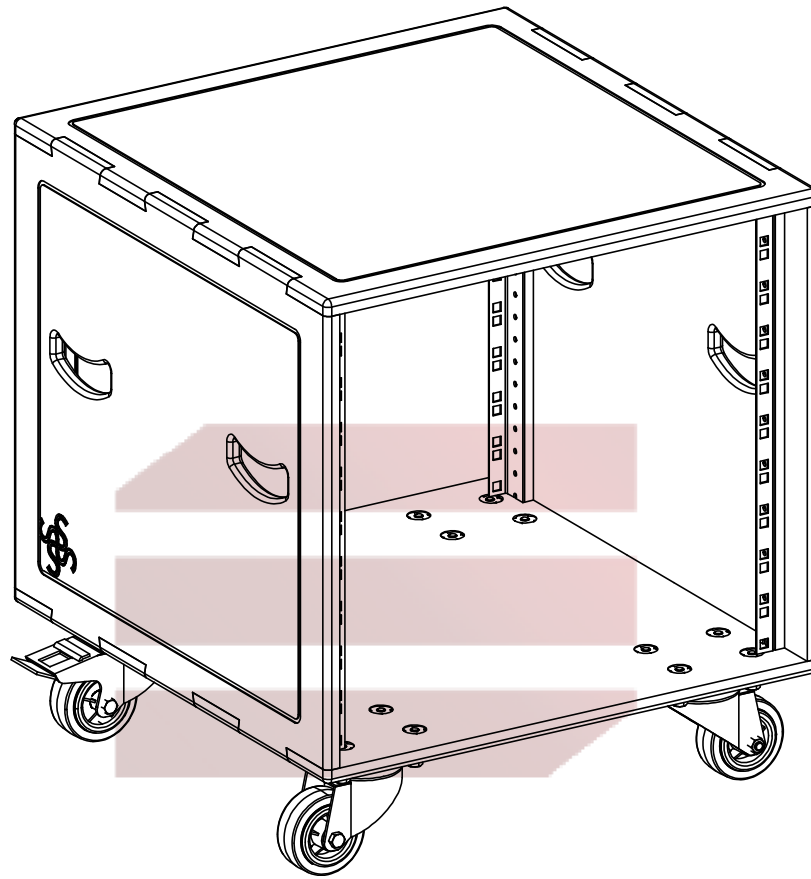
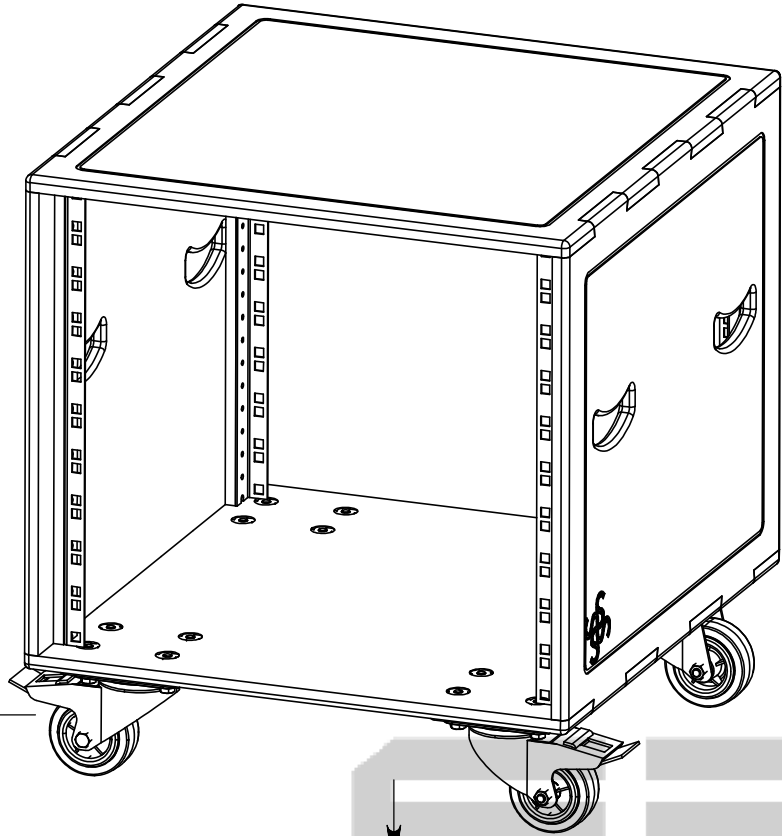
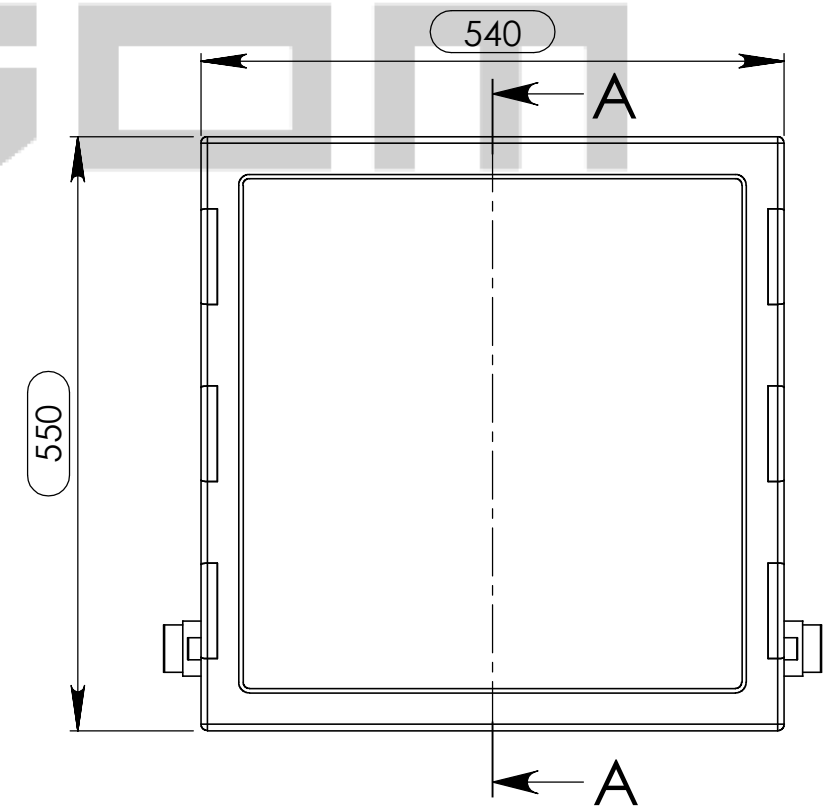
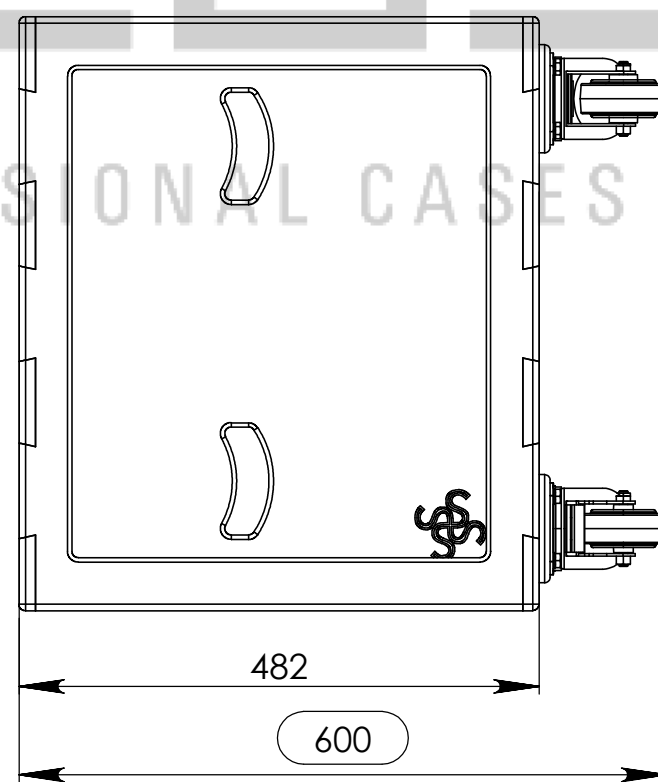


Interior dimensions		
Width	Depth	Height
19"	550	10Un
Weight	Approx. 15.45 Kg	
Wall Thickness	15mm	



SECTION A-A
SCALE 1 : 7



Drawn by	Name	Date
pedroneves	pedroneves	08-05-2012
Reference	WM.1055R8	
Scale	units in mm	general tolerance
1:10	DO NOT SCALE	±0.8mm
1st Angle projection	Rack de madeira, 10U 550 prof., rodas	

This drawing must not be copied or disclosed without consent of the owner

