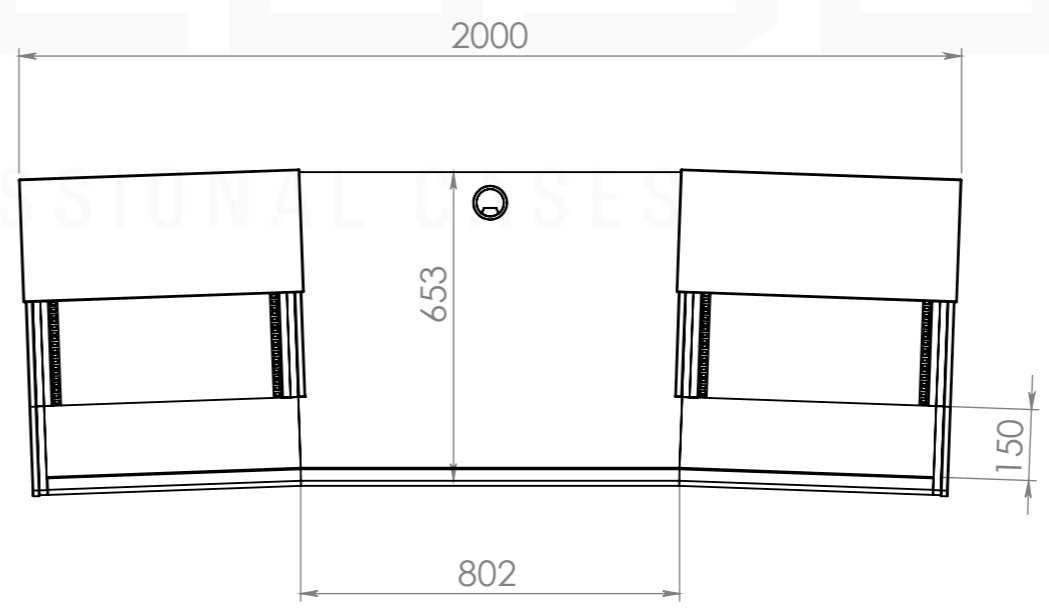
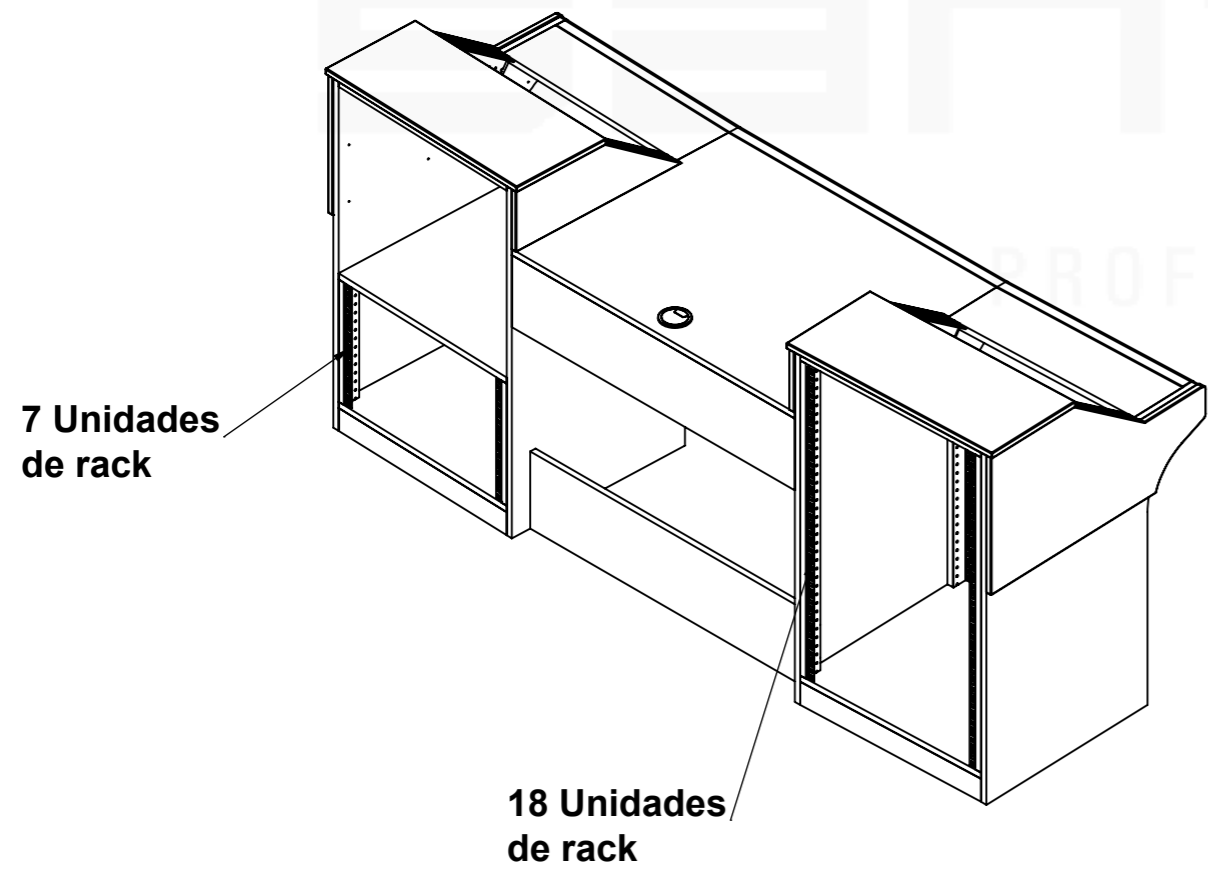
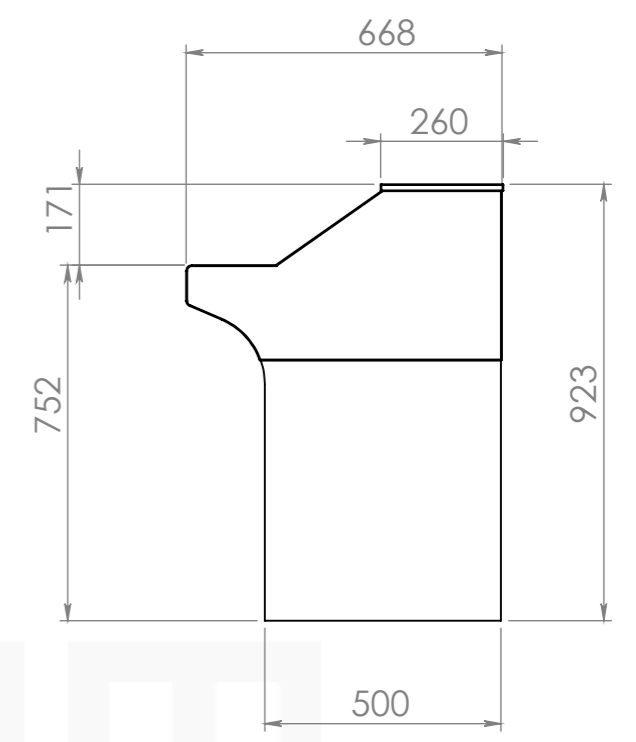
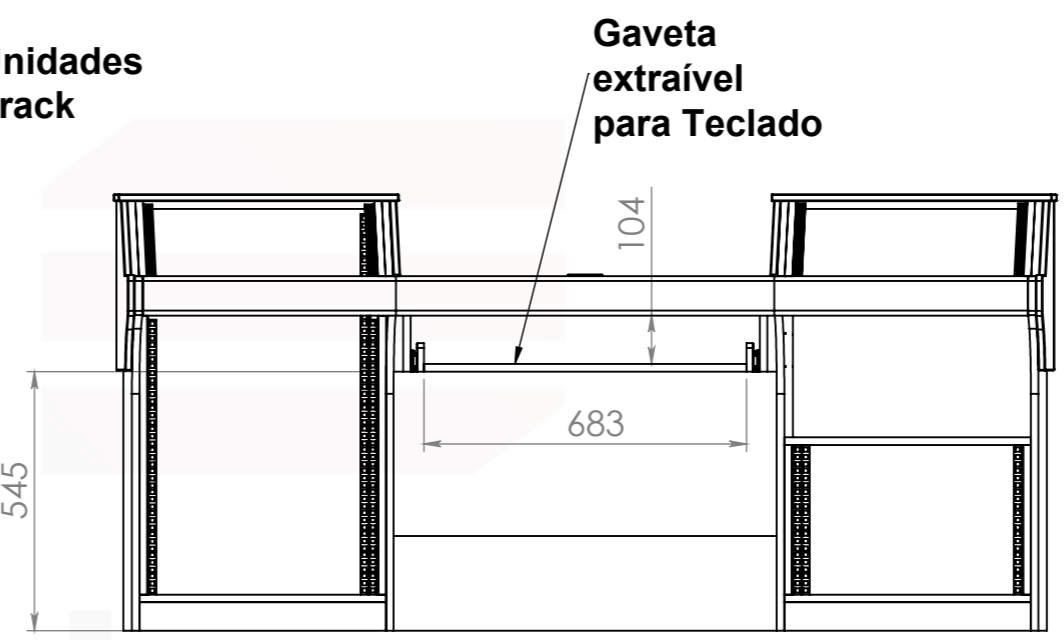
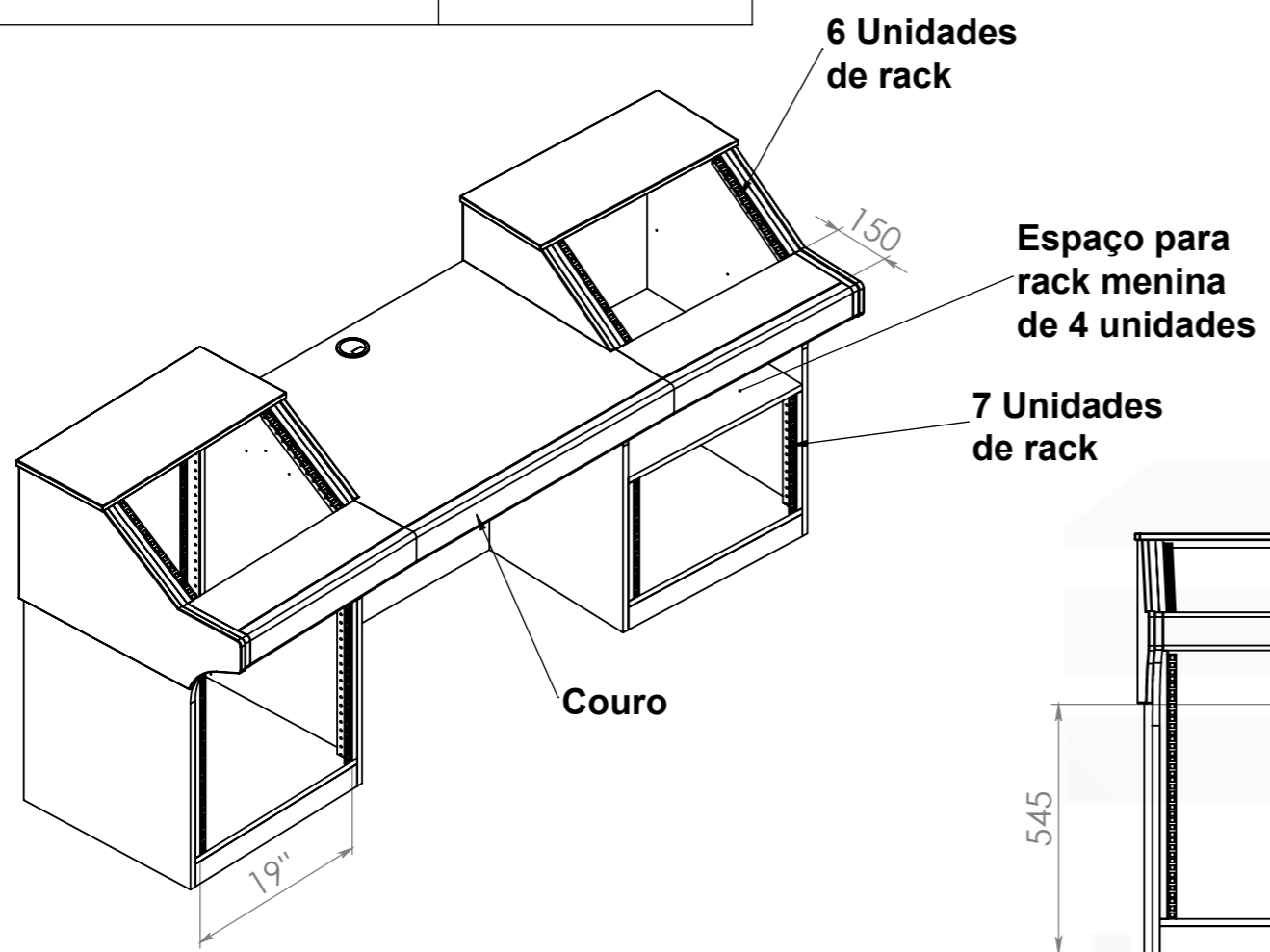


Weight	Approx. 65.14 Kg
Wall Thickness	16 mm



Drawn by	Name	Date
alexandre	alexandre	30/09/2016
Reference	WE24.200	
Scale	units in mm	general tolerance
1:16	DO NOT SCALE	0.8mm
MÓVEL ESTÚDIO REGIE 2MTS		



This drawing must not be copied or disclosed without consent of the owner



A3