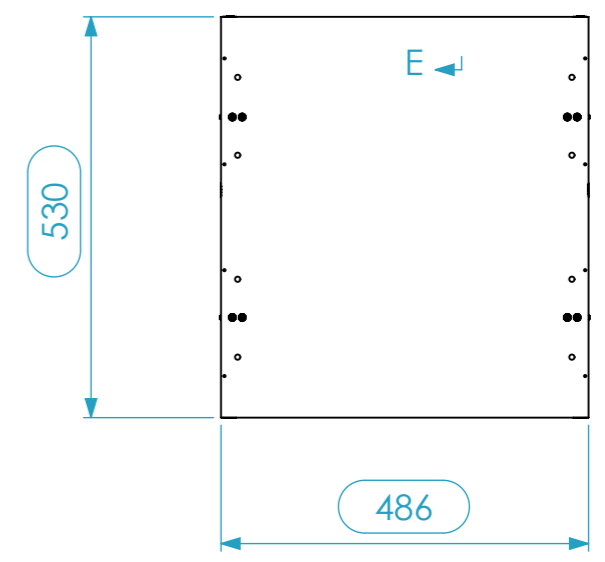
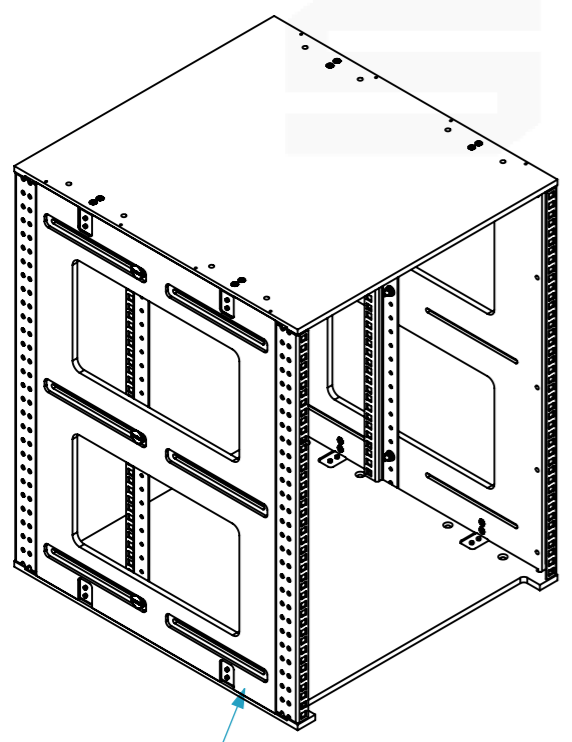
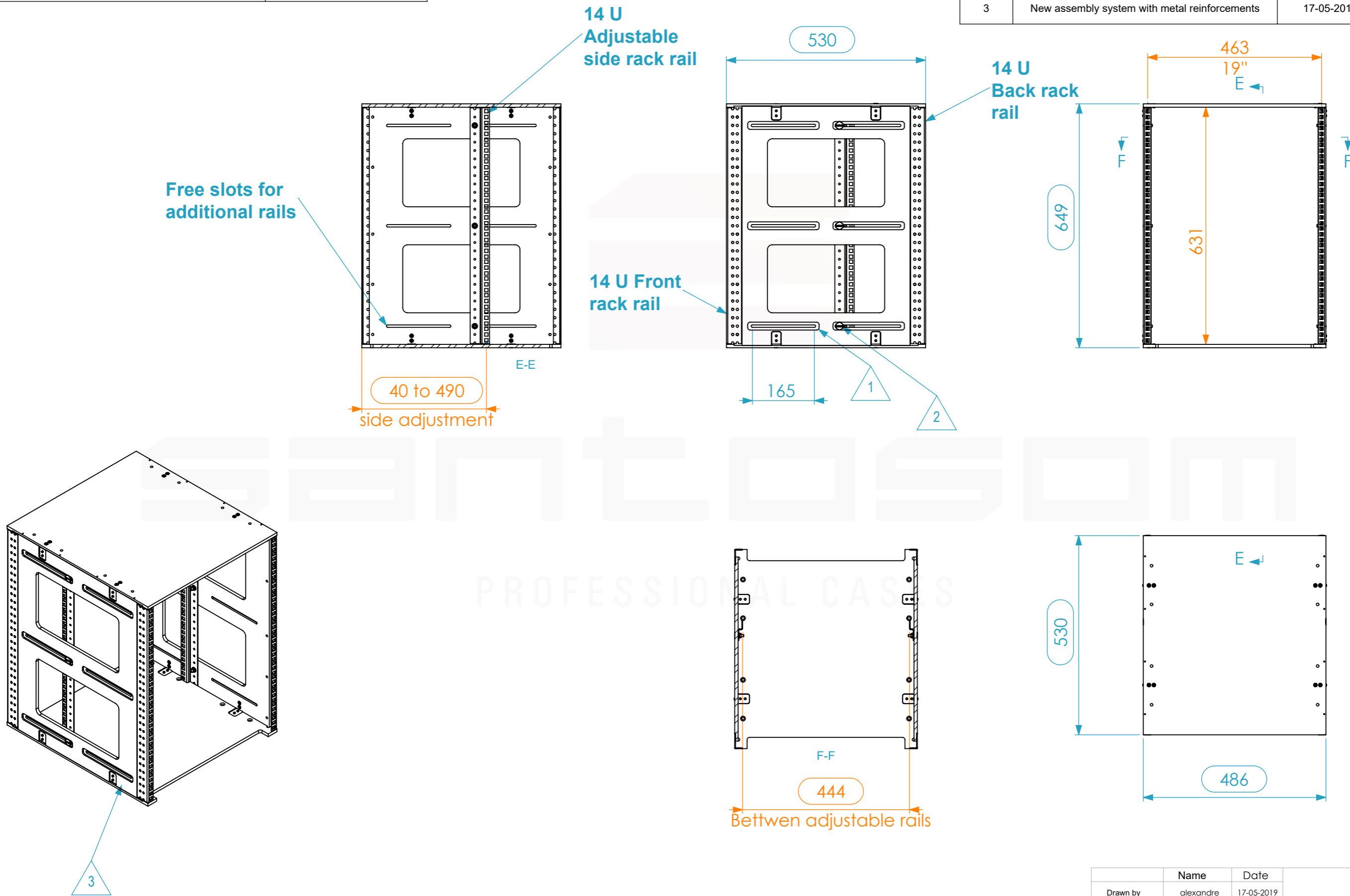


Internal Dimensions		
Width	Depth	Height
19"	486	14 U
Weight	Approx. 6 Kg	
Wall Thickness	9mm	

REVISIONS			
REV.	DESCRIPTION	DATE	APPROVED
1	Added new slots for additional side rails; Side rails adjustment extends from 40 to 490 mm	14-05-2018	Alexandre
2	Rack rails fixation modified to WASD3.1000 fixture.	09-05-2019	Alexandre
3	New assembly system with metal reinforcements	17-05-2019	Alexandre



This drawing must not be copied or disclosed without consent of the owner

Drawn by	alexandre	Date	17-05-2019
Reference	WASD3.2453		
Scale	1:10	units in mm	general tolerance 0.8mm
RACK INTERIOR, 24U 530 PARA ASD3 SIDE SLIDING RACK			

