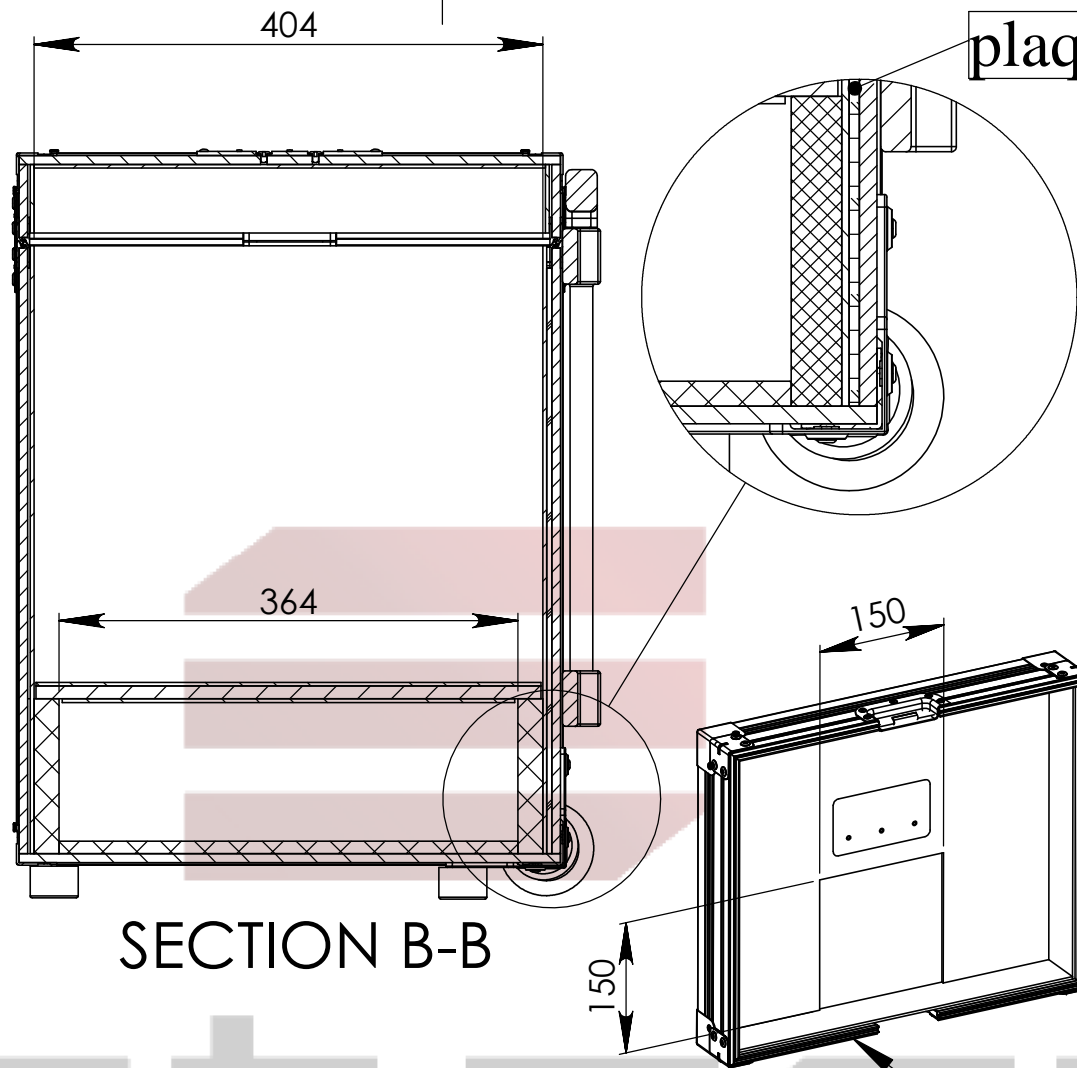
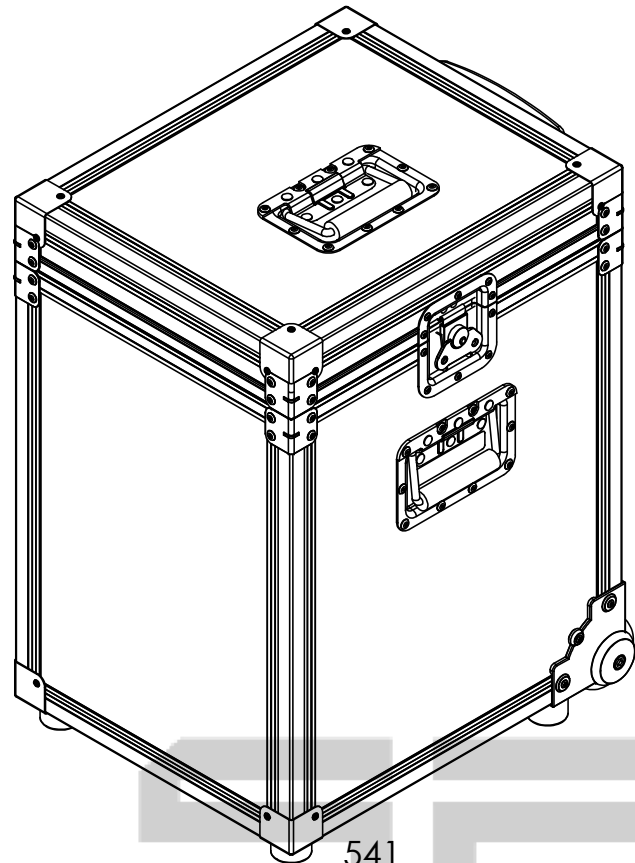
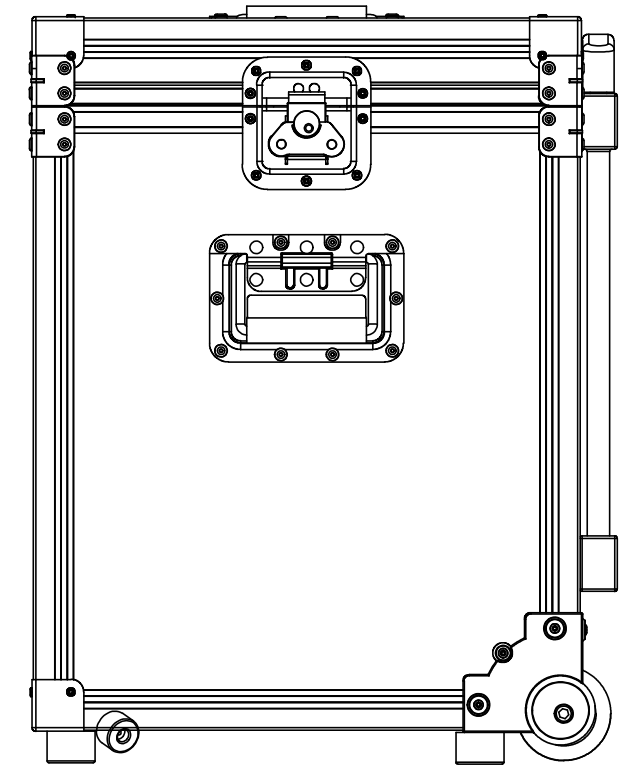


Interior dimensions		
Width	Depth	Height
404	334	541
Weight	Approx. 10 Kg	
Wall Thickness	7mm	

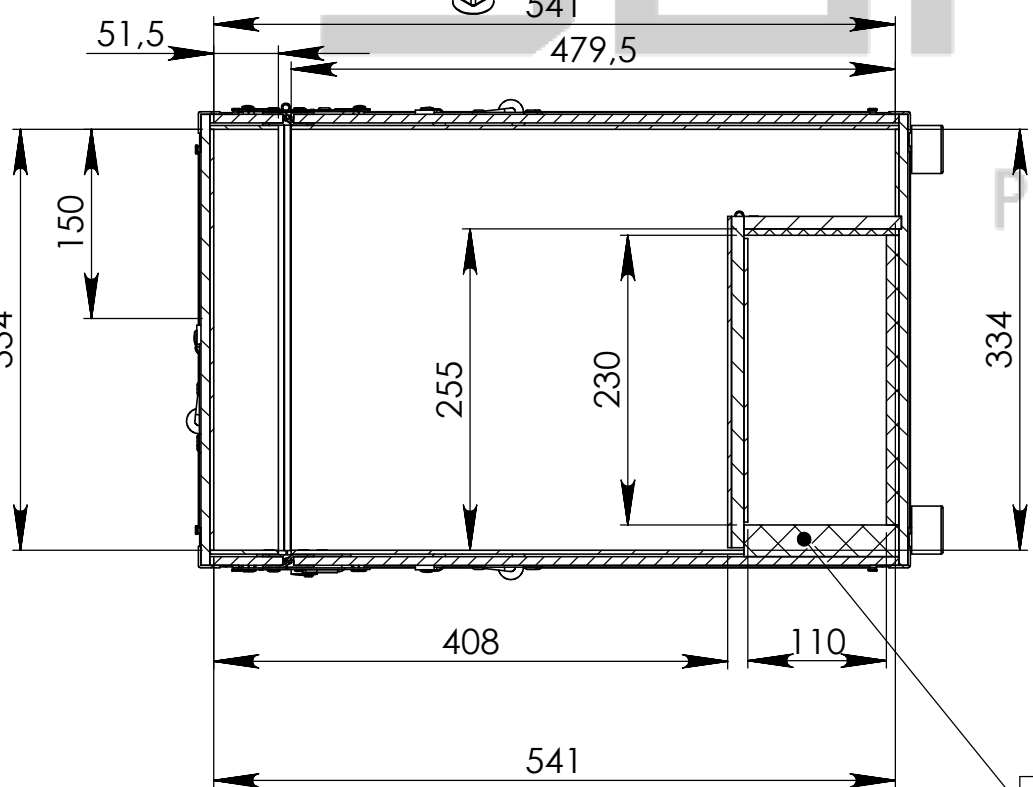


plaque interne pour le renforcement

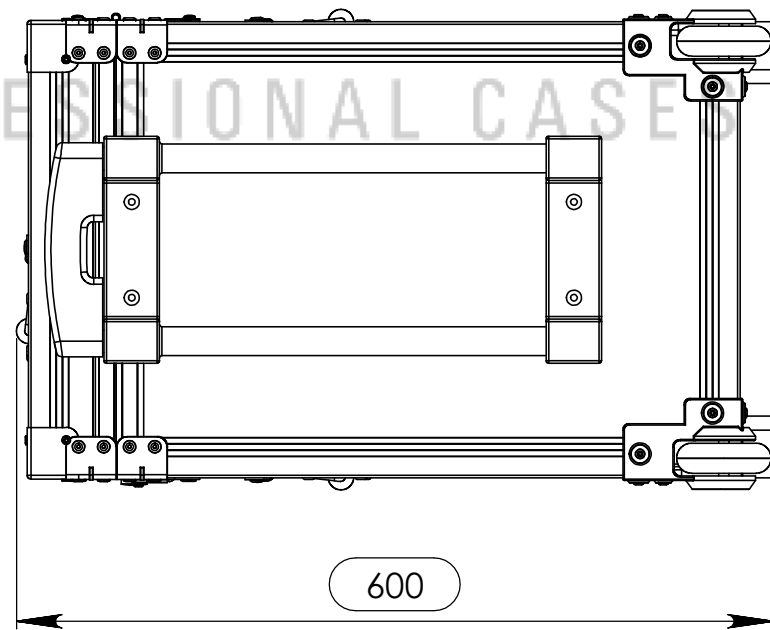


SECTION B-B

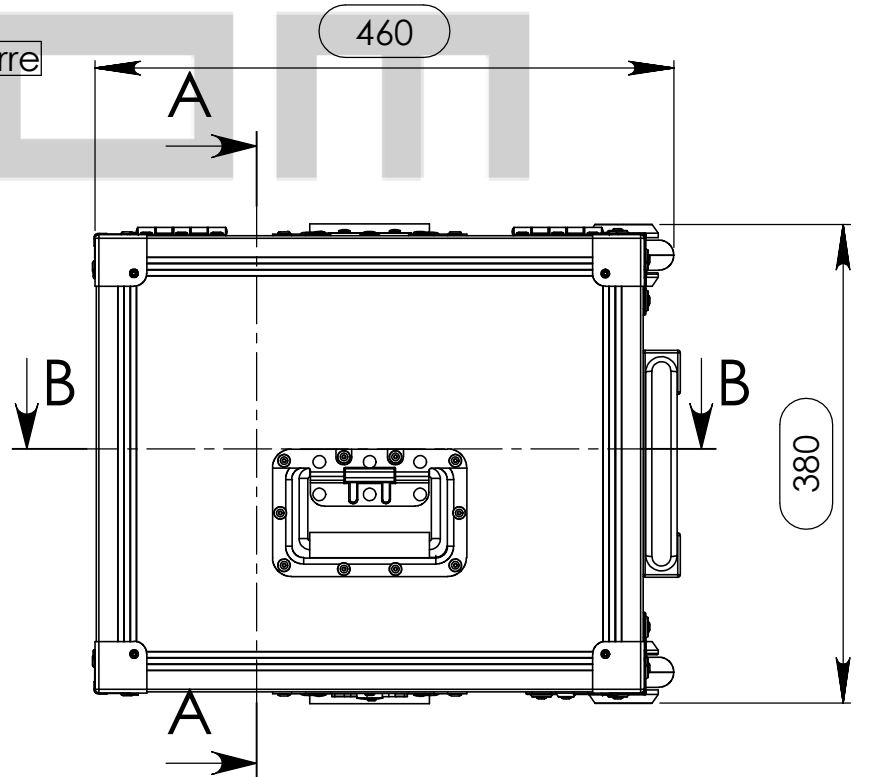
Charniere



SECTION A-A



600



mousse pour recouvrir les roues

Drawn by	Name	Date
pedroneves	pedroneves	04-04-2012
Reference	658.A1600V5	
Scale	units in mm	general tolerance
1:6	DO NOT SCALE	±0.8mm
1st Angle projection		
Valise Alpha A1600 V5		

This drawing must not be copied or disclosed without consent of the owner

