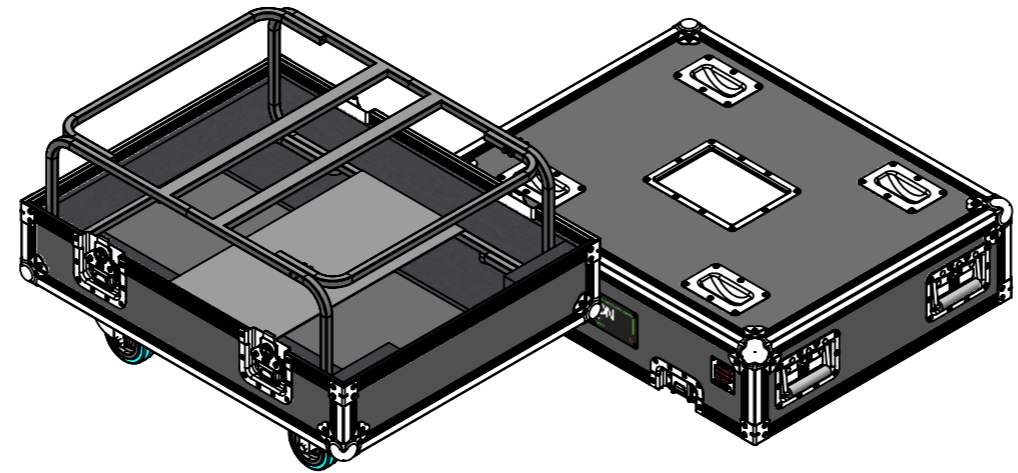
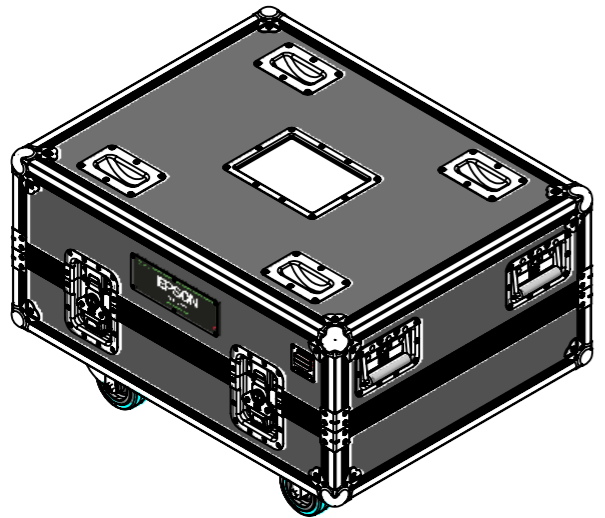
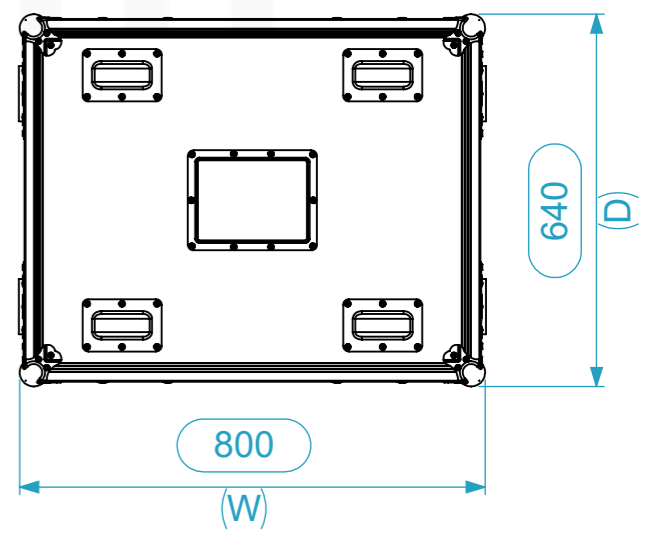
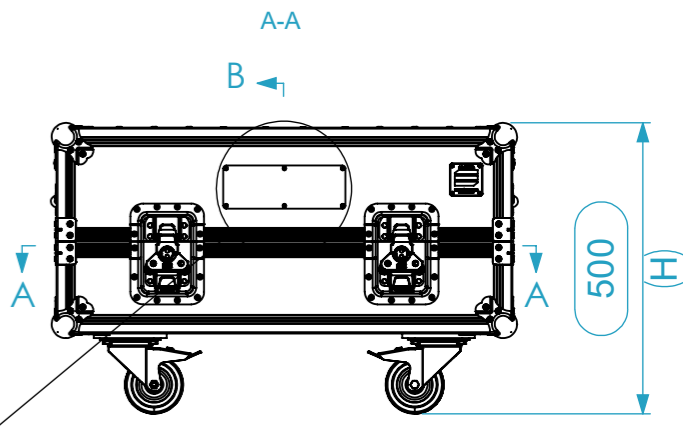
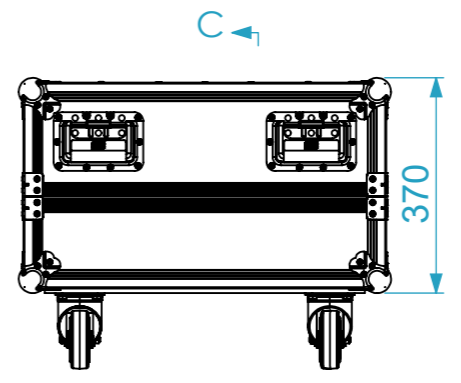
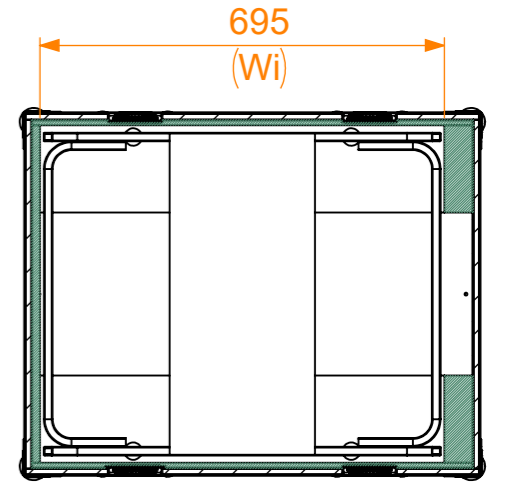
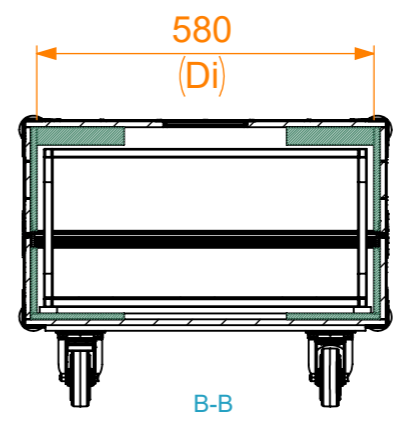
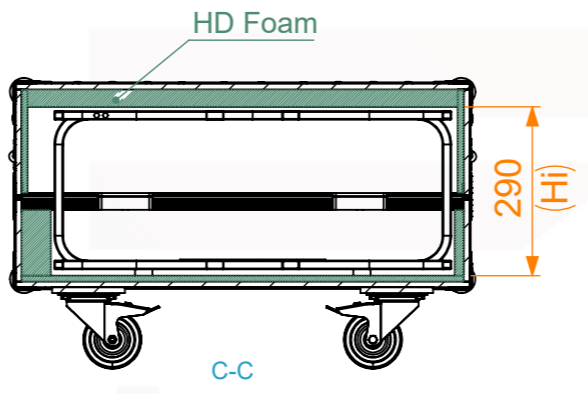
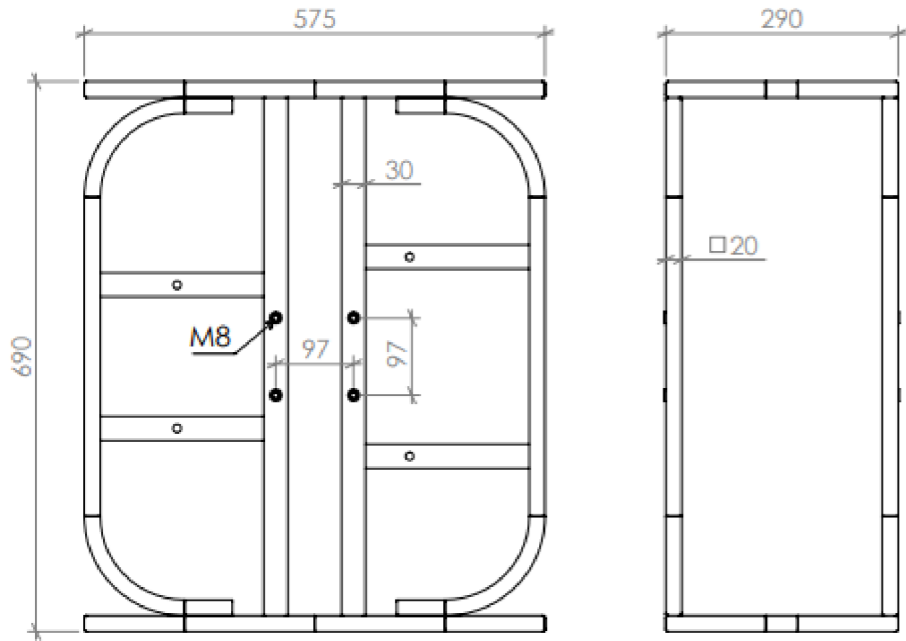


Equipment	Frame EPSON EB-PU2116W	
Width	Depth	Height
690	575	290
Internal Dimensions		
Width	Depth	Height
695	580	290
Weight	Approx. 25 Kg	
Wall Thickness	10mm	



General External Dimensions		Usable Inner Dimensions	
W	Width	Wi	Inside Width
D	Depth	Di	Inside Depth
H	Height	Hi	Inside Height

A3 This drawing must not be copied or disclosed without consent of the owner

Drawn by	Name	Date
rita.monteiro	rita.monteiro	27/02/2026
Reference	VPJ31.EPSPU2116	
Scale	units in mm	general tolerance
1:13	DO NOT SCALE	0.8mm
1st Angle projection	Flight case PRO, Frame EPSON EB-PU2116W	

