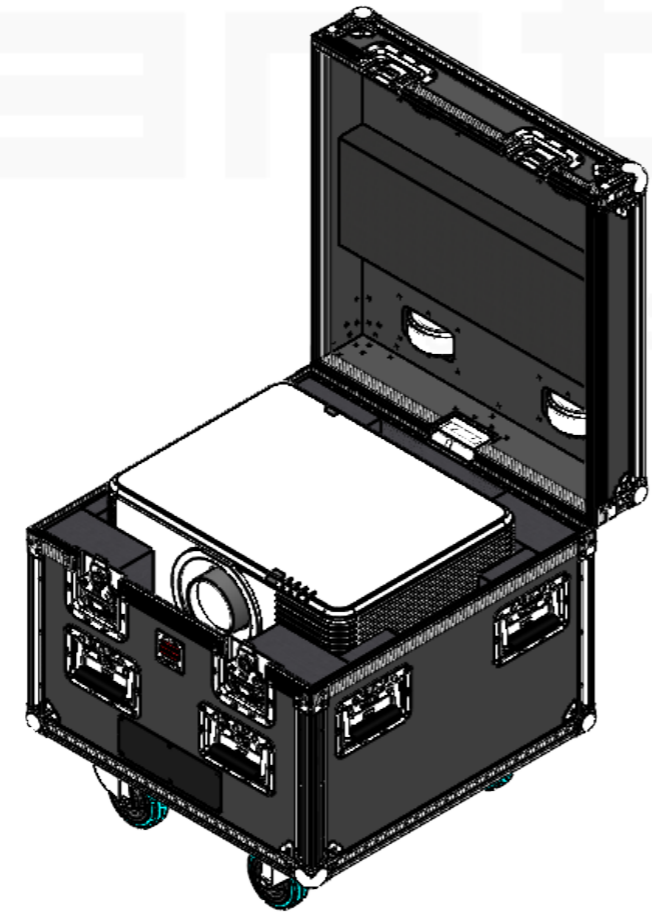
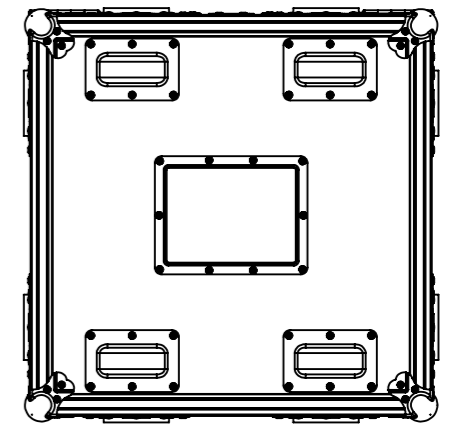
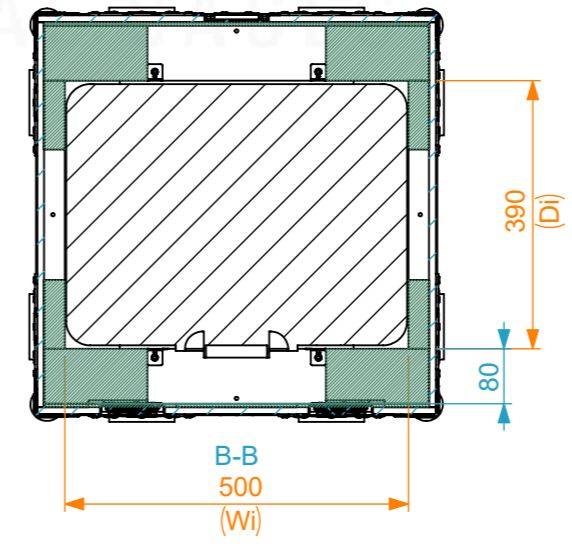
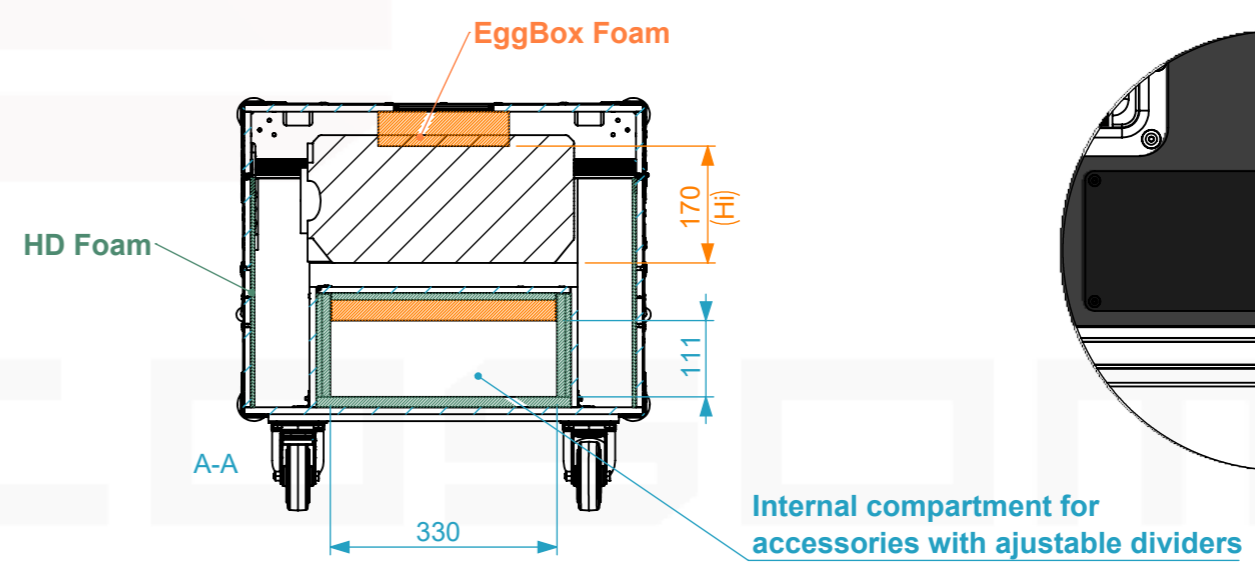
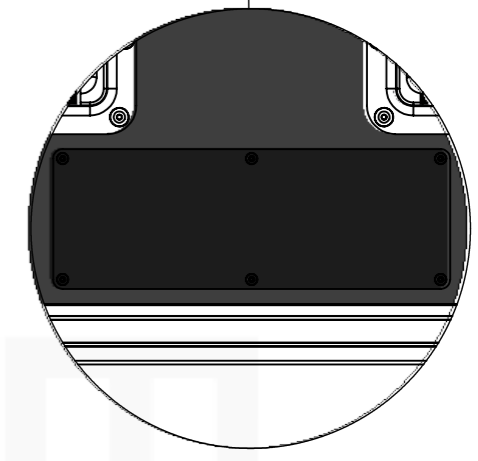
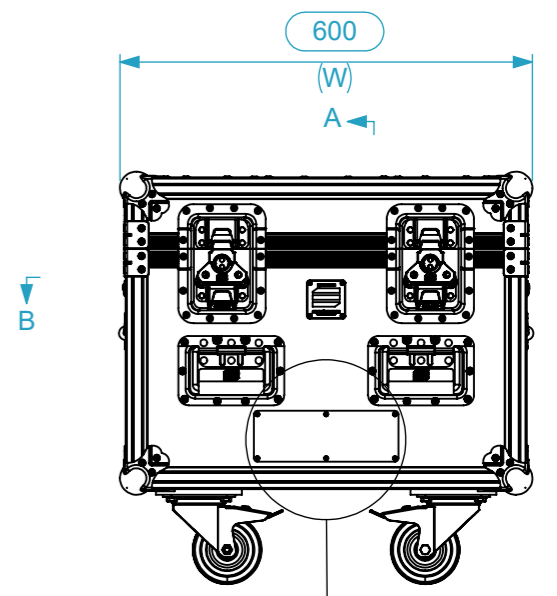
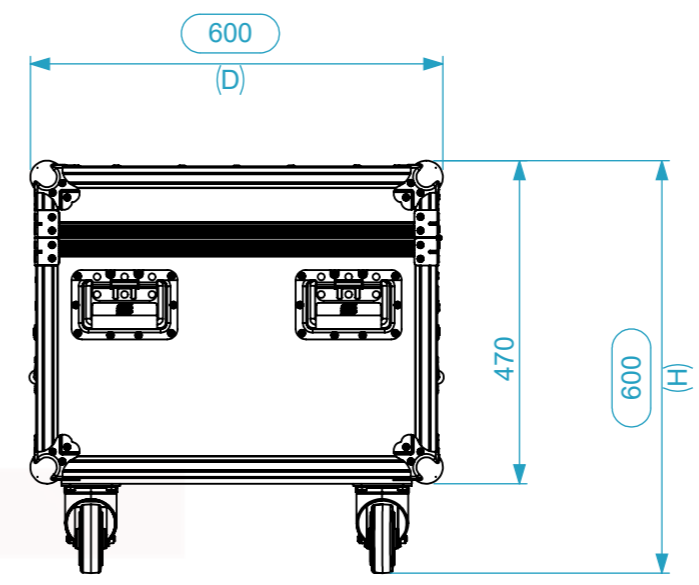
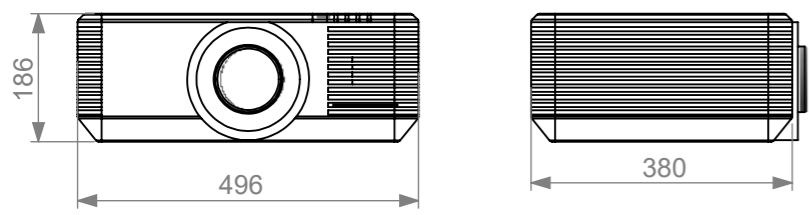


| Equipment | | Vivitek DU5053Z | |
|---------------------|------------------|-----------------|--|
| Width | Depth | Height | |
| 496 | 380 | 186 | |
| Weight | Approx. 12 Kg | | |
| Internal Dimensions | | | |
| Width | Depth | Height | |
| 500 | 390 | 170 | |
| Weight | Approx. 29.70 Kg | | |
| Wall Thickness | | 10mm | |



| General External Dimensions | | Usable Inner Dimensions | |
|-----------------------------|--------|-------------------------|---------------|
| W | Width | Wi | Inside Width |
| D | Depth | Di | Inside Depth |
| H | Height | Hi | Inside Height |

| | | | | | |
|----------------------|--------------|--|------------|-------------|-------------------------|
| Drawn by | tiago.pais | Name | tiago.pais | Date | 08/05/2026 |
| Reference | VPJ3.VVT5053 | Scale | 1:1 | units in mm | general tolerance 0.8mm |
| 1st Angle projection | | Flight case simples, Vivitek DU5053Z (lente montada) | | | |



A3 This drawing must not be copied or disclosed without consent of the owner