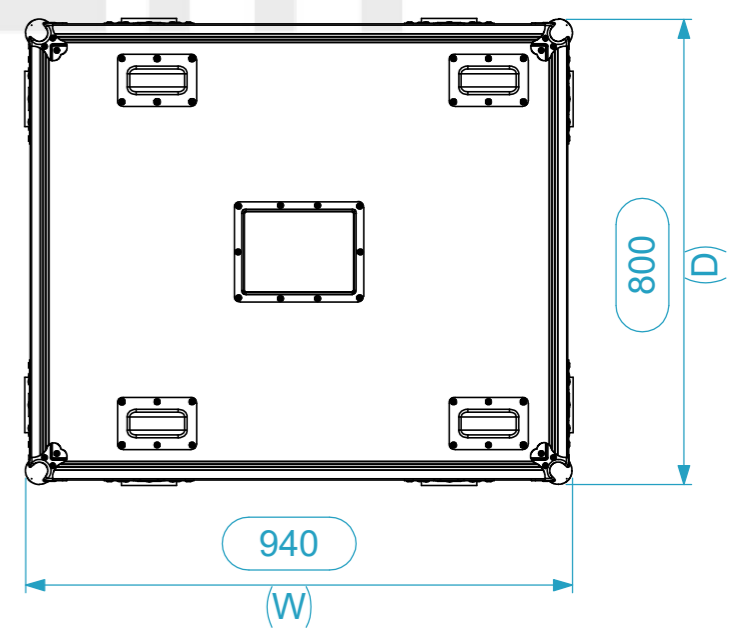
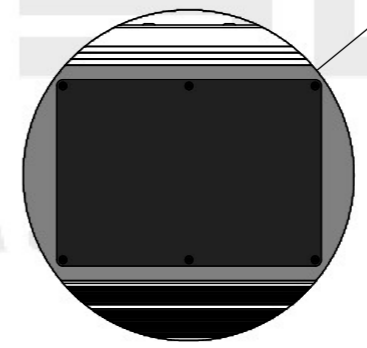
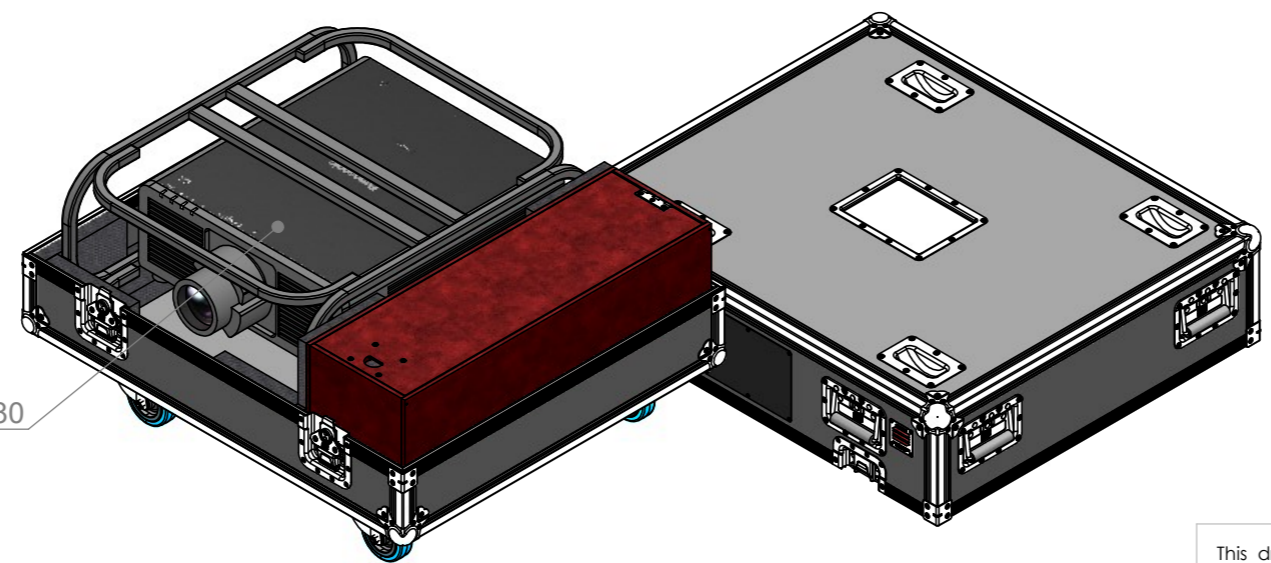
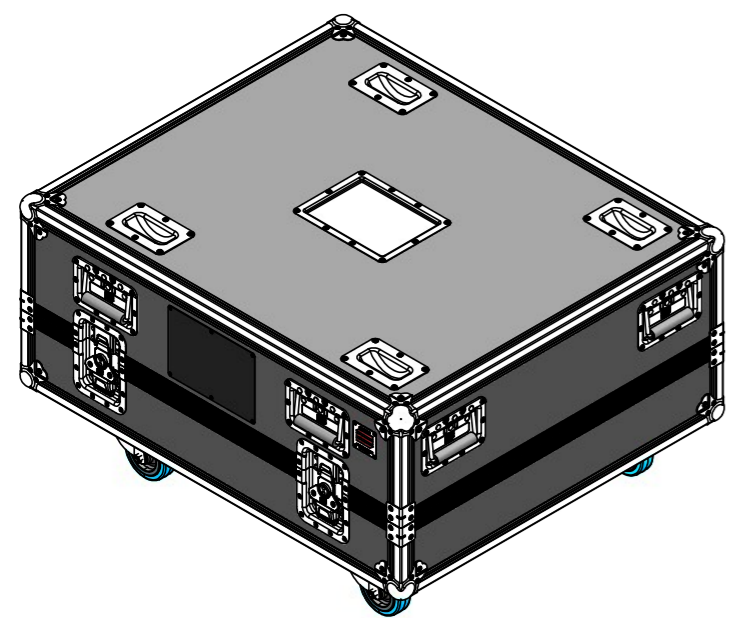
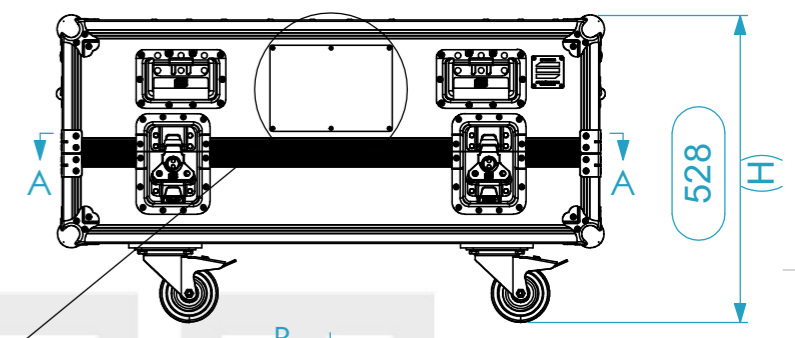
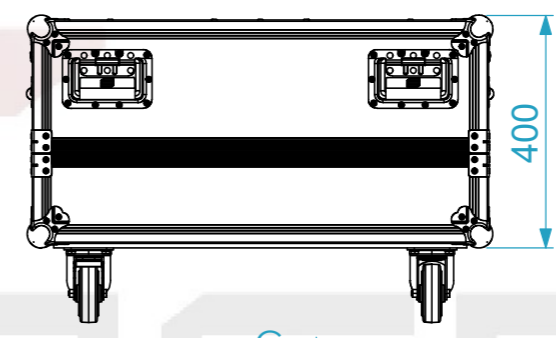
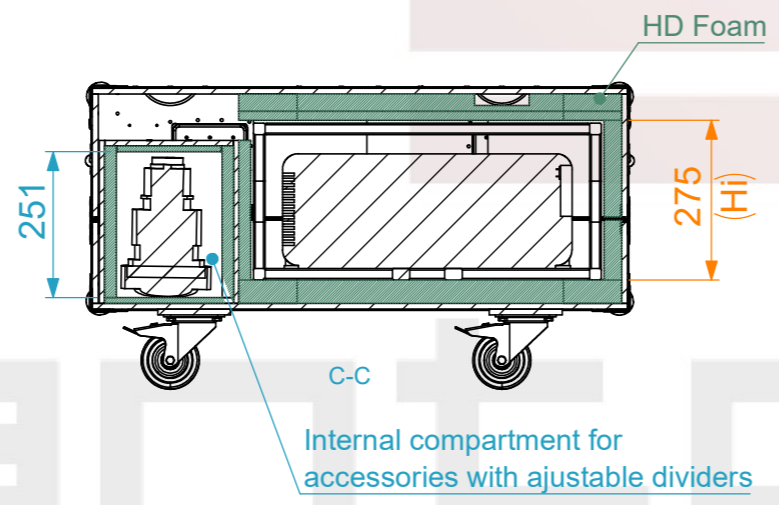
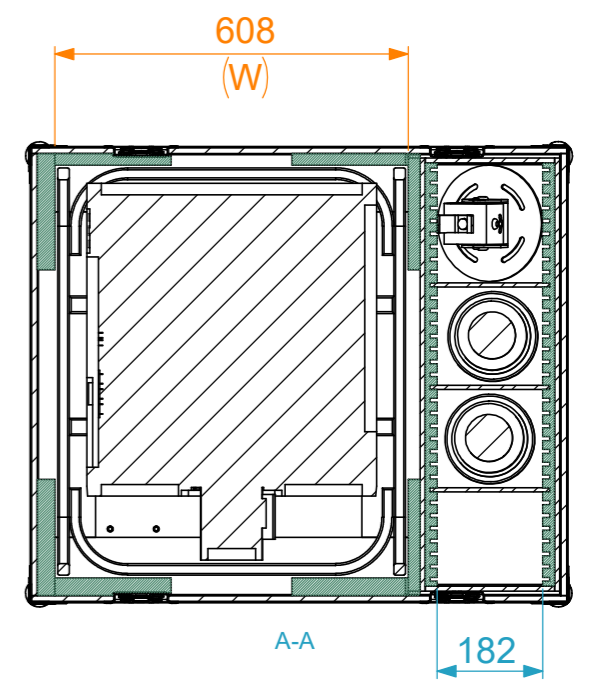
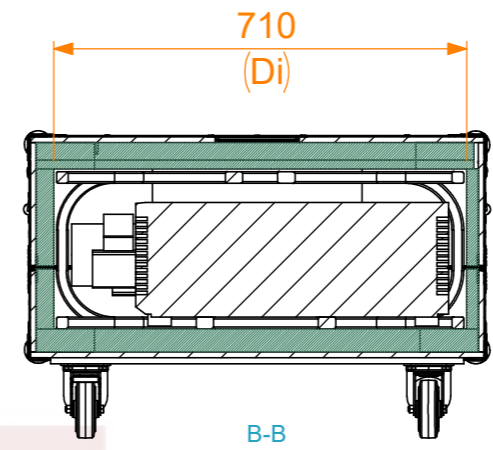
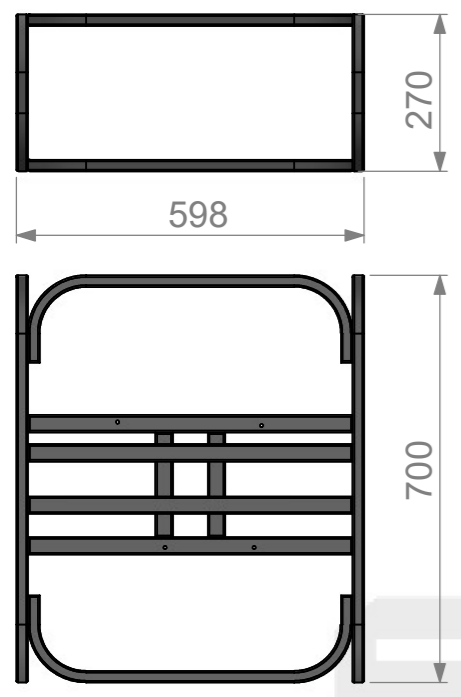


Equipment			Panasonic PT-REZ12 + Frame		
Width	Depth	Height			
700	598	270			
Weight	Approx. 16 Kg				
Internal Dimensions					
Width	Depth	Height			
608	710	275			
Weight	Approx. 41 Kg				
Wall Thickness					10mm



Compatible with Panasonic PT-REZ12/10/80

General External Dimensions		Usable Inner Dimensions	
W	Width	Wi	Inside Width
D	Depth	Di	Inside Depth
H	Height	Hi	Inside Height

This drawing must not be copied or disclosed without consent of the owner

Drawn by	Name	Date
projects		08/08/2024
Reference	VP.J3.PANTRZ120	
Scale	units in mm	general tolerance
1:13	DO NOT SCALE	0.8mm
1st Angle projection	Flight case PRO, Panasonic PT-REZ12 Frame + 3 lentes + acess.	



A3