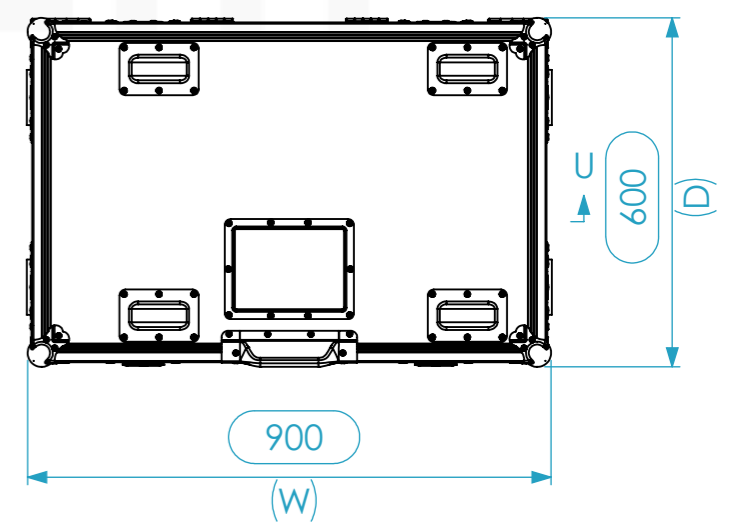
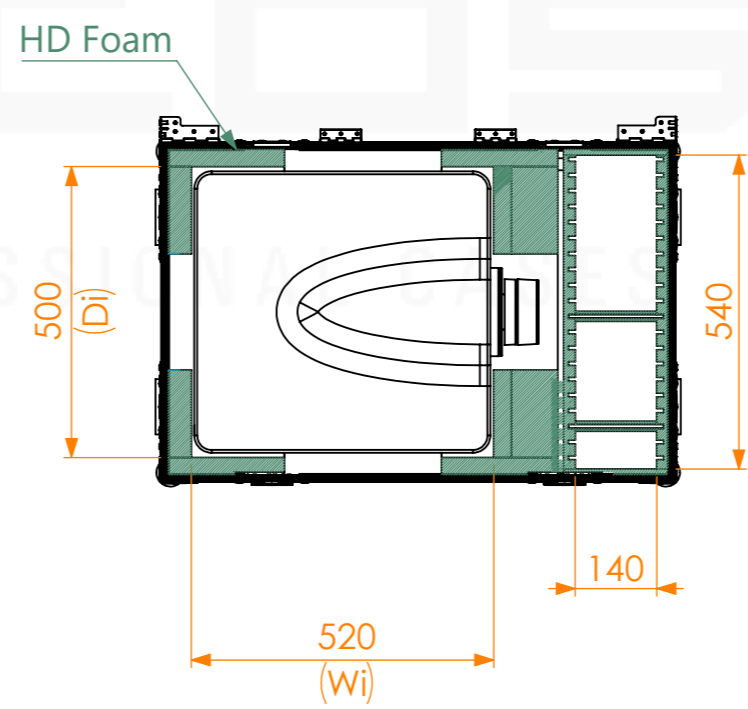
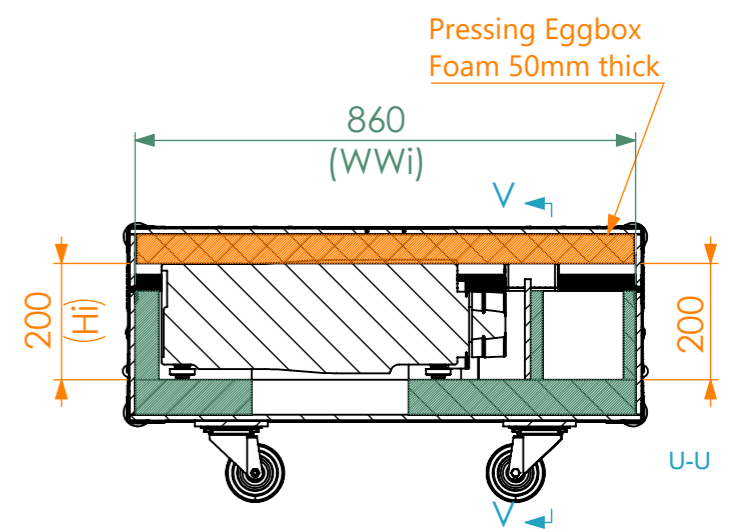
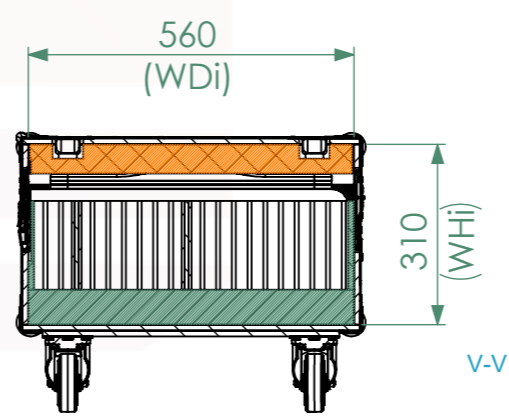
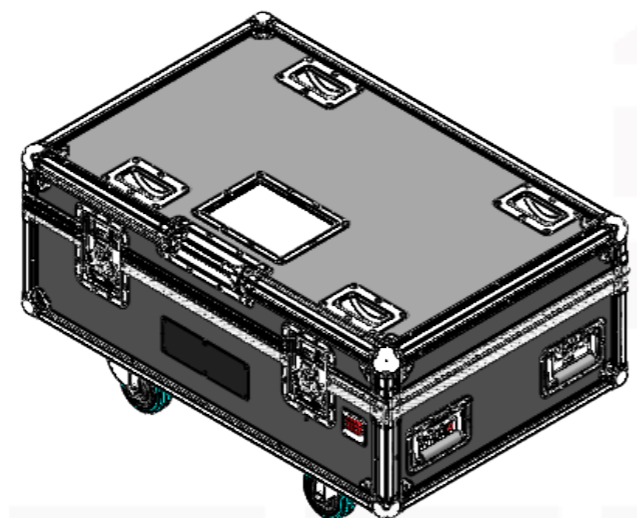
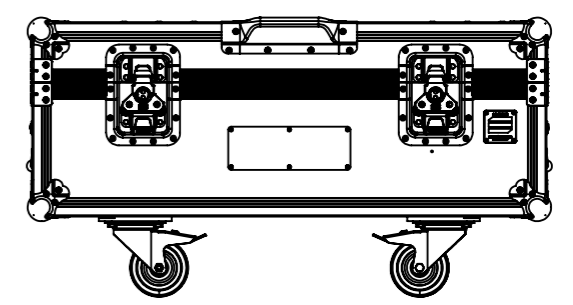
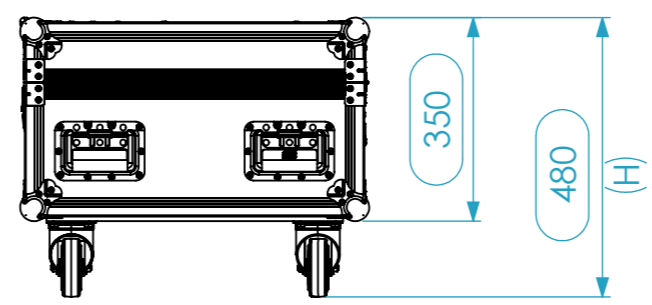


<b>Equipment</b>	OPTOMA ZU1050	
<b>Width</b>	<b>Depth</b>	<b>Height</b>
483	677	206
<b>Weight</b>	Approx. 28.2 Kg	
<b>Internal Dimensions</b>		
<b>Width</b>	<b>Depth</b>	<b>Height</b>
520	500	200
<b>FC Weight</b>	Approx. 29.96 Kg	
<b>Wall Thickness</b>	10mm	



General External Dimensions		Usable Inner Dimensions (UID)		Wood Inner Dimensions (WID)	
W	Width	Wi	Inside Width	WWi	Wood Inside Width
D	Depth	Di	Inside Depth	WDi	Wood Inside Depth
H	Height	Hi	Inside Height	WHi	Wood Inside Height

This drawing must not be copied or disclosed without consent of the owner

Drawn by	Name	Date
tiago.pais	tiago.pais	13/02/2026
Reference	VPJ2.OPTZU1050	
Scale	units in mm	general tolerance
1:1	DO NOT SCALE	0.8mm
1st Angle projection	Flight case PRO OPTOMA ZU1050	

