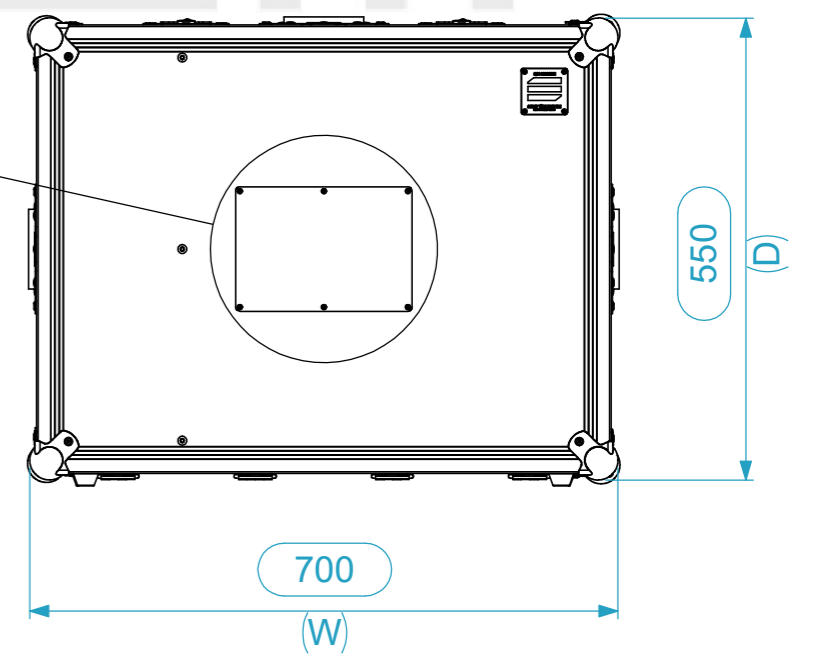
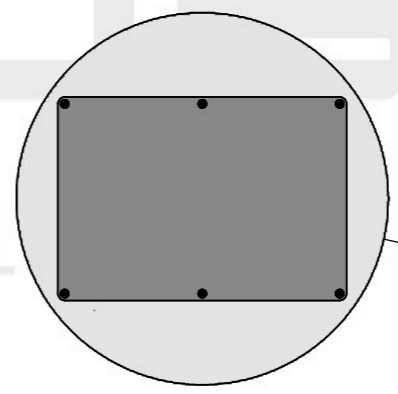
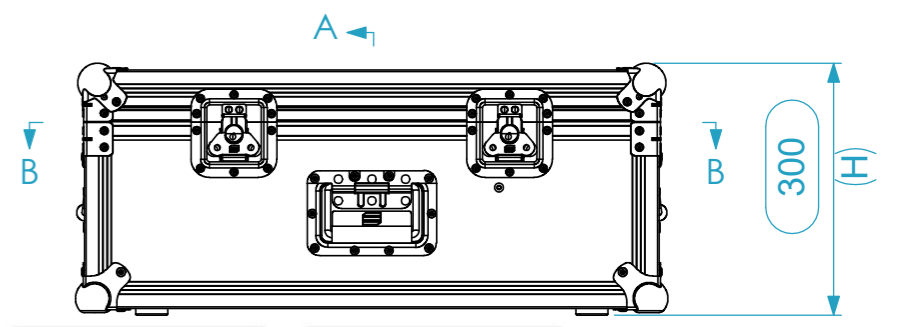
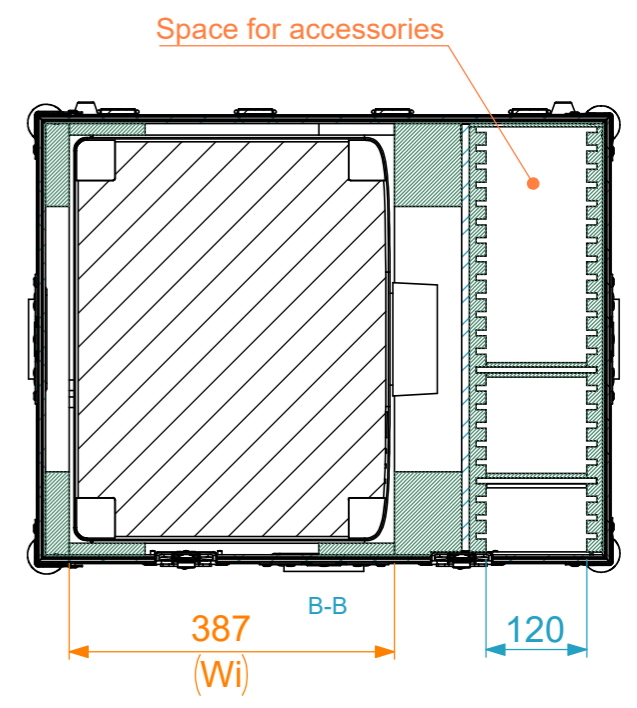
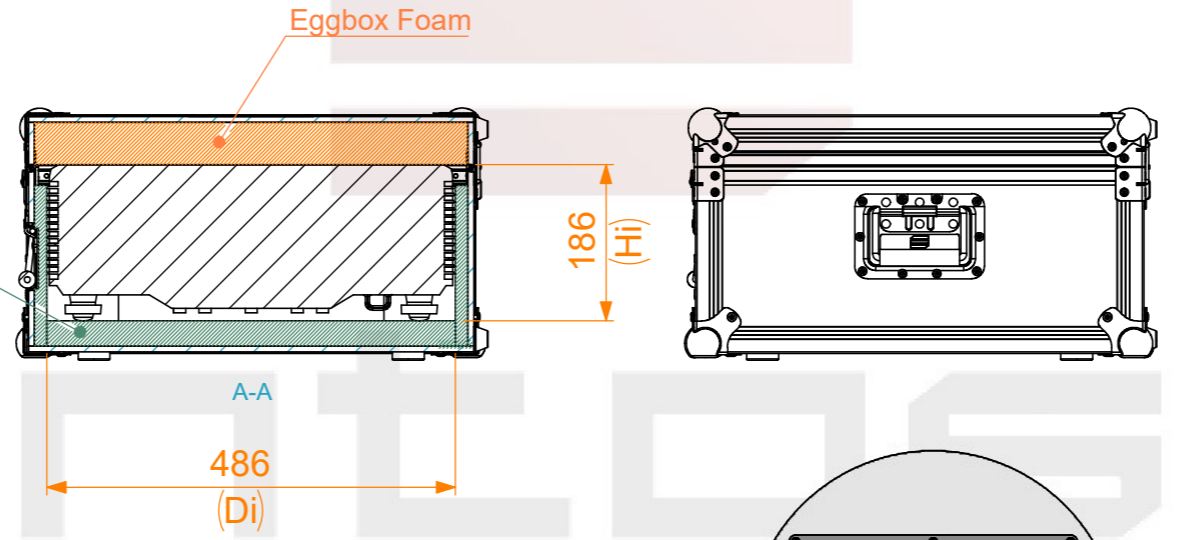
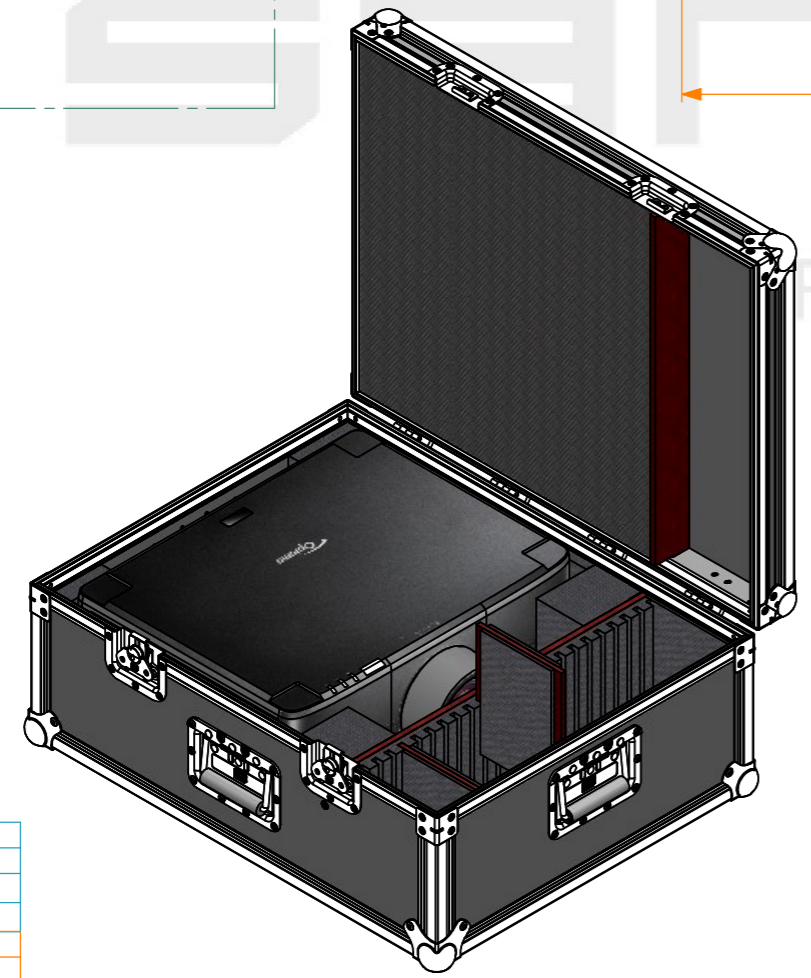


Equipment		Optoma ZU725T	
Width	Depth	Height	
486	433	186	
Weight	Approx. 14Kg		
Internal Dimensions			
Width	Depth	Height	
387	486	186	
Weight	Approx. 13.02 Kg		
Wall Thickness		7mm	



General External Dimensions	
W	Width
D	Depth
H	Height
Usable Inner Dimensions	
Wi	Inside Width
Di	Inside Depth
Hi	Inside Height

This drawing must not be copied or disclosed without consent of the owner

Drawn by	Name	Date
projects		07/03/2024
Reference	VPJ1.OPTZU725	
Scale	units in mm	general tolerance
1:9	DO NOT SCALE	0.8mm
1st Angle projection	Flight case, Optoma ZU725T	

