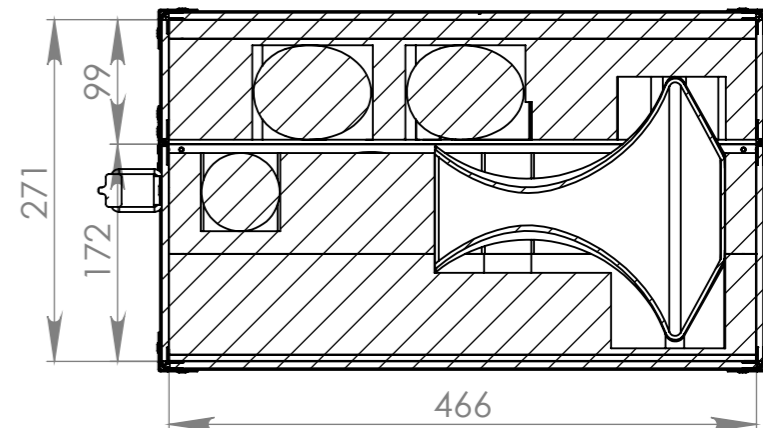
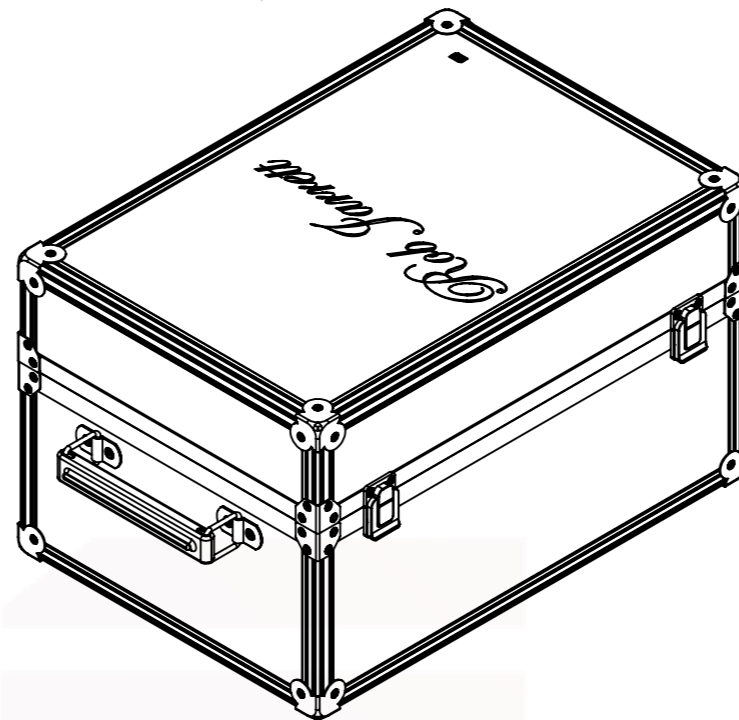
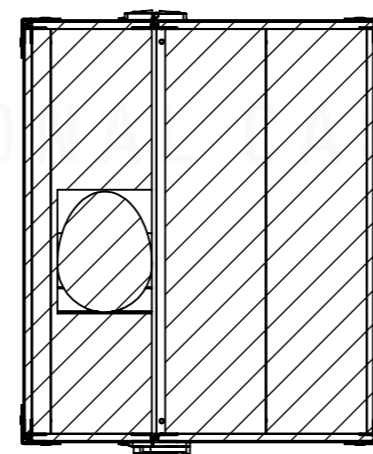
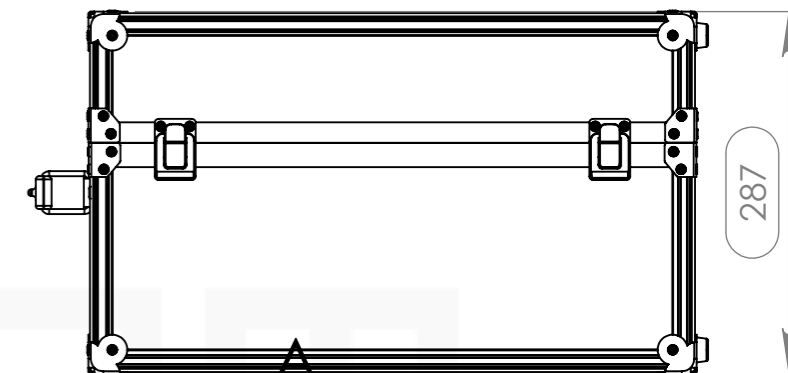
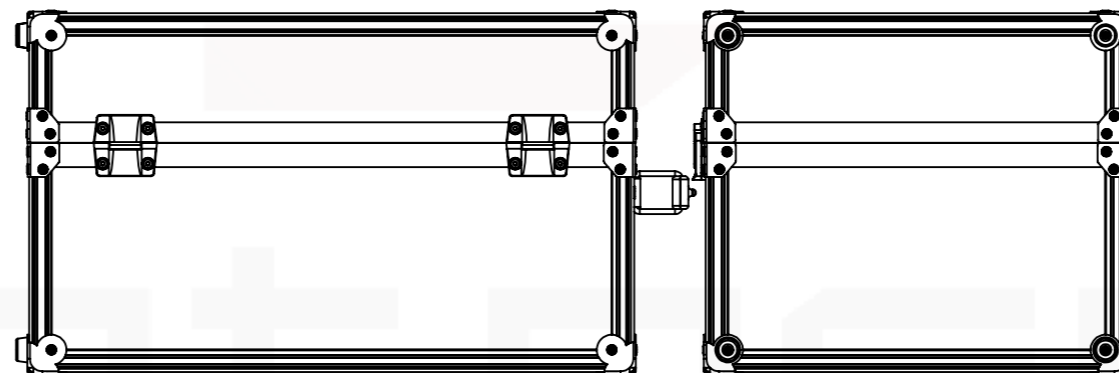
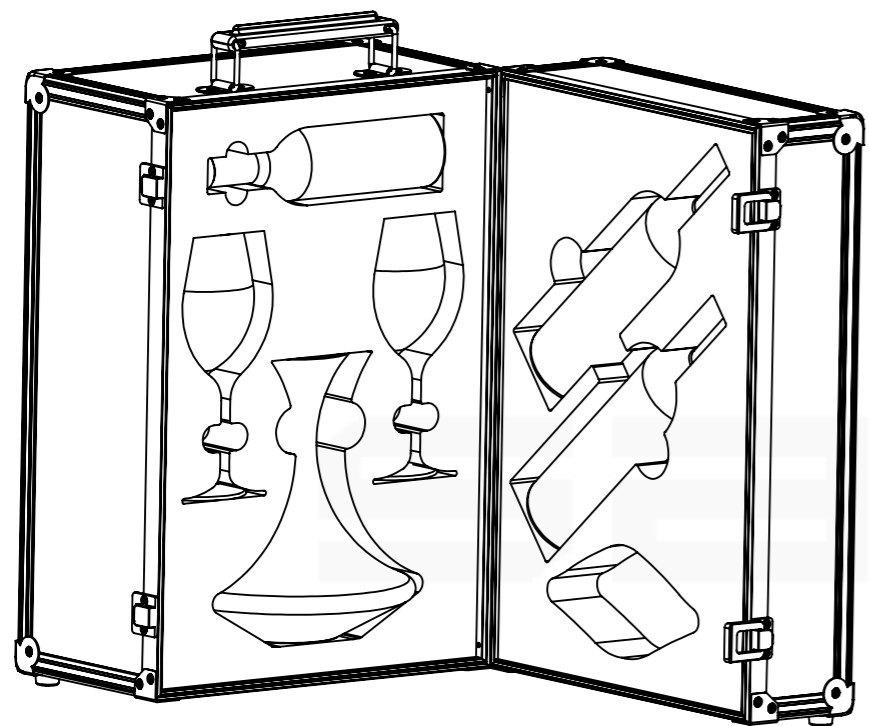


### Interior dimensions

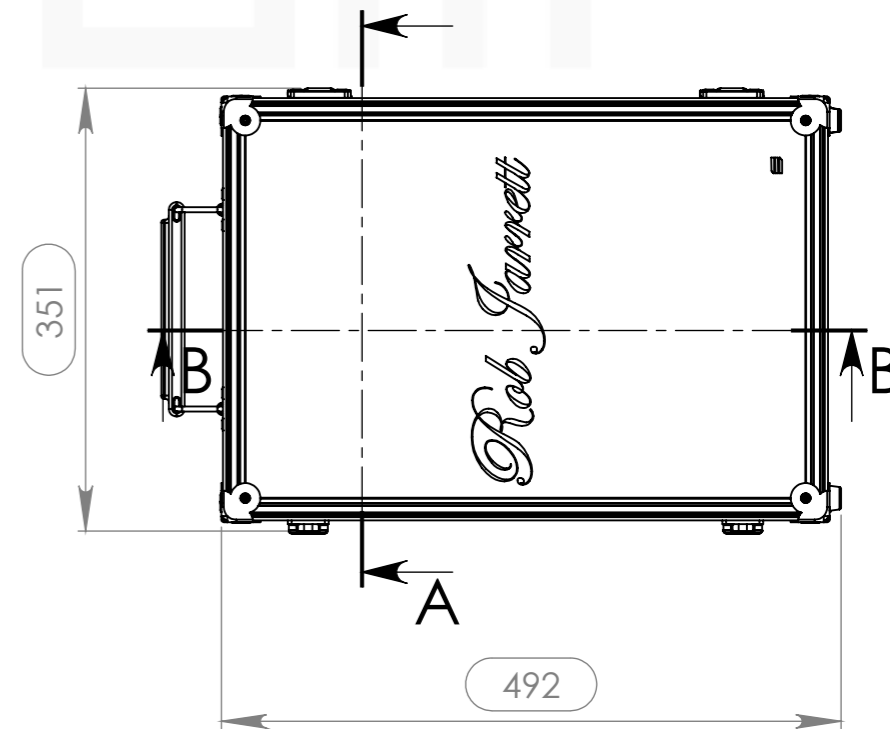
Width	Depth	Height
465	320	271
Weight	Approx. 5 Kg	
Wall Thickness	5.5mm	



SECTION B-B



SECTION A-A



Qty	Ref.	Description
8	4056	Small case corner - 3 leg - 1 mm Steel, chrome plated
8	4046	Small corner brace - suits 6136 casemaker
4	4903	Rubber foot 20 x 9 mm, black
2	2508	MEDIUM STOP-HINGE
2	L1390	Block Catch Chrome
1	3417	Leather Case Handle

This drawing must not be copied or disclosed without consent of the owner

Drawn by	Name	Date
projects	projects	09/06/2017
Reference	VINHO.106	
Scale	units in mm	general tolerance
1:6	DO NOT SCALE	0.8mm
BRIEFCASE		
2 GARRAFAS + DECANTARIO + 2 COIPO		

