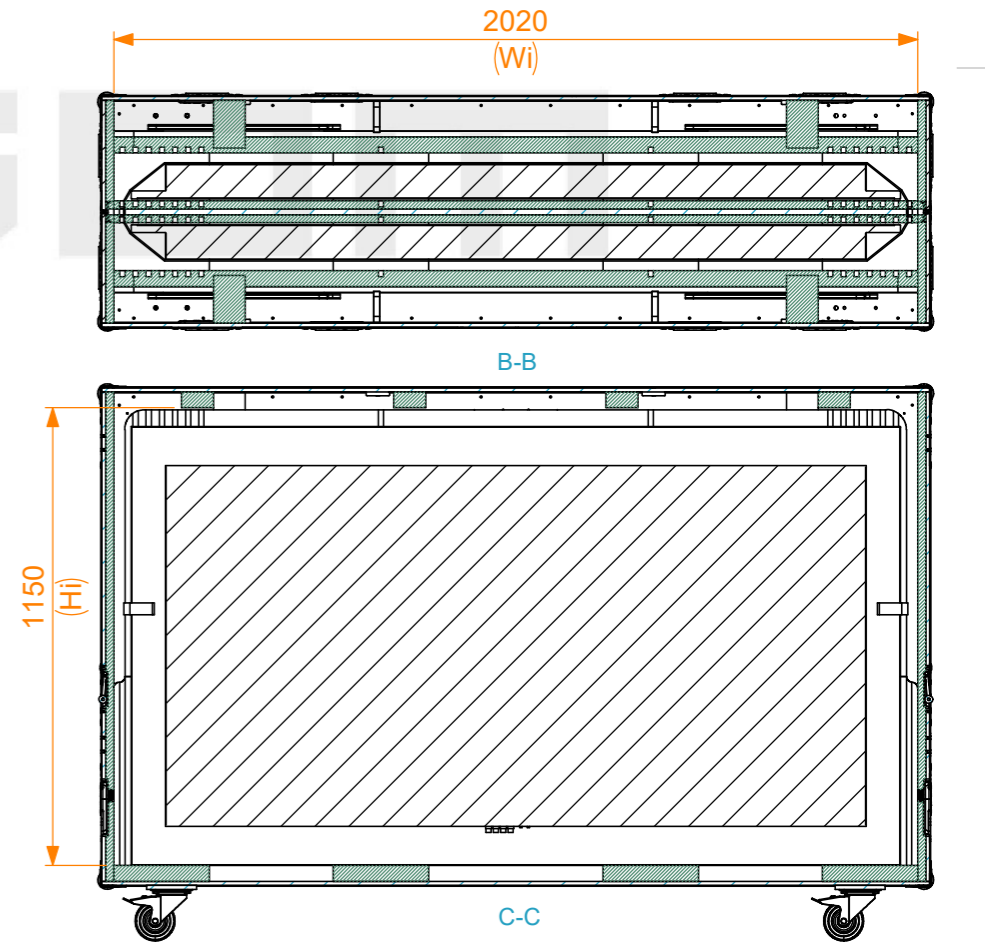
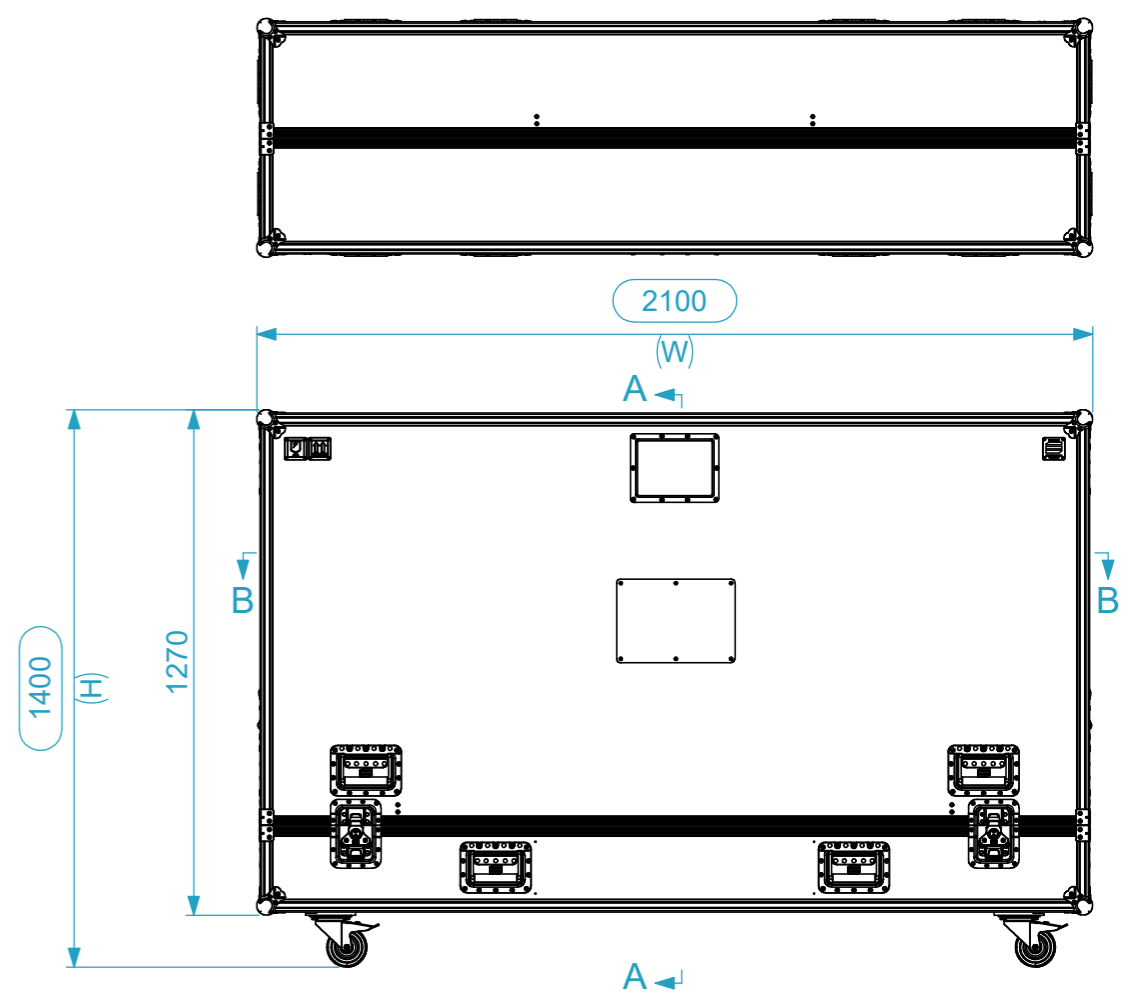
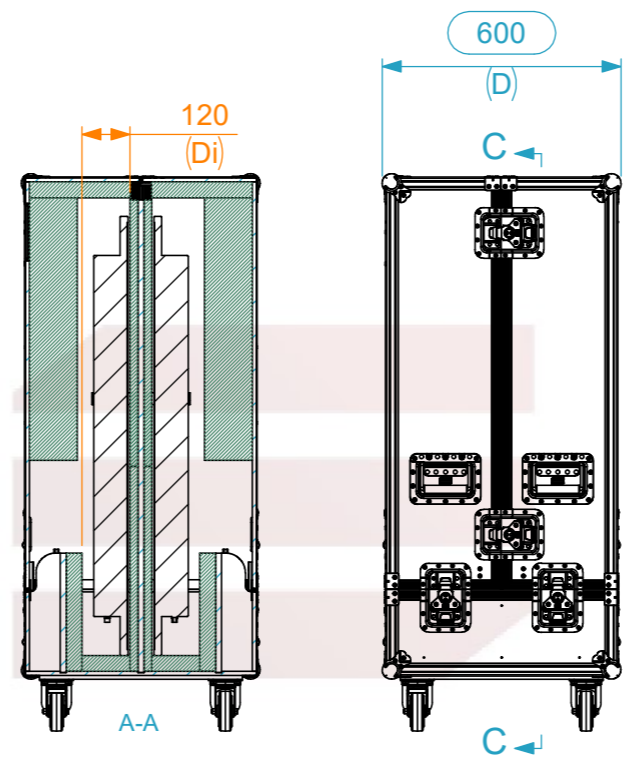
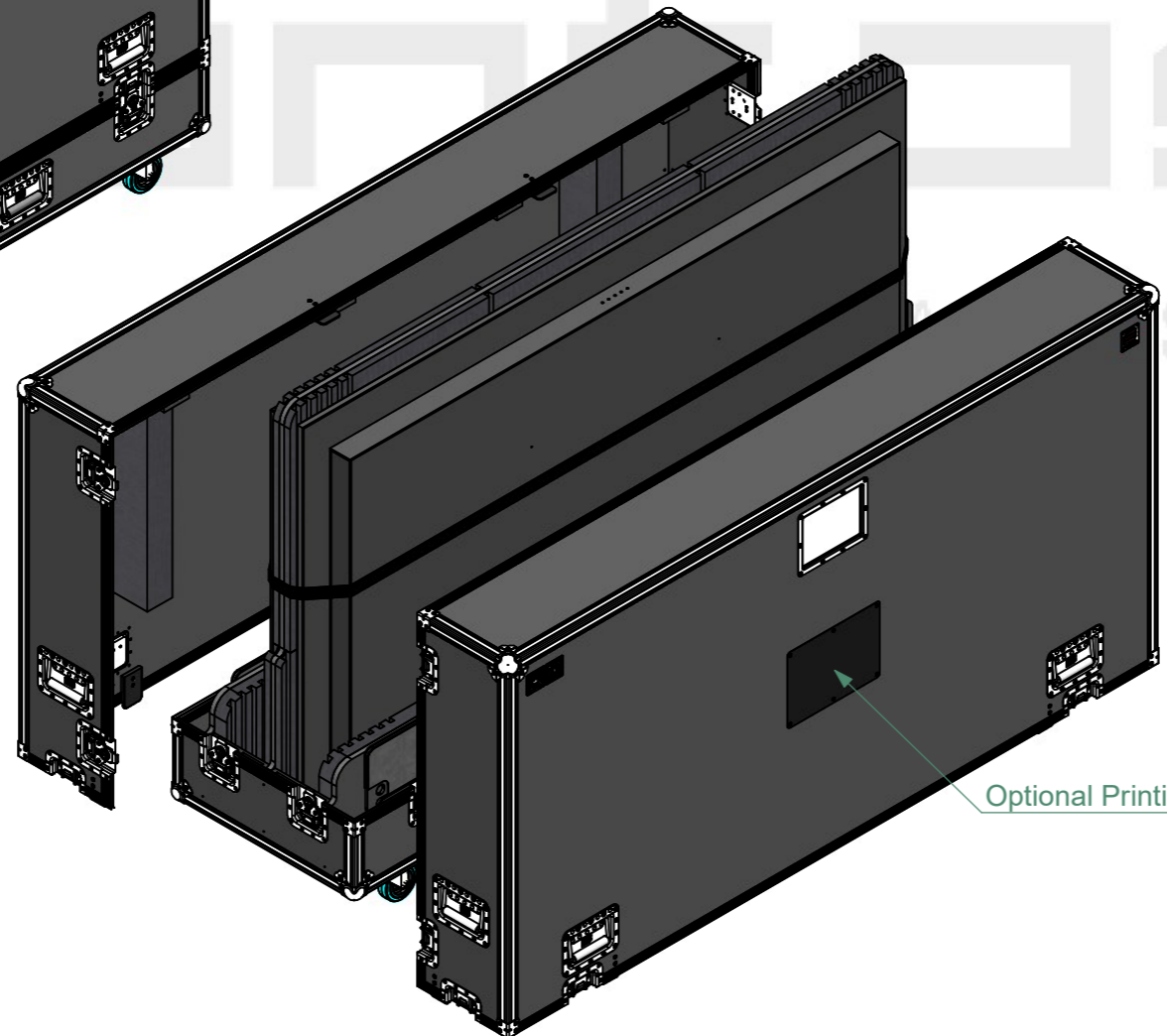
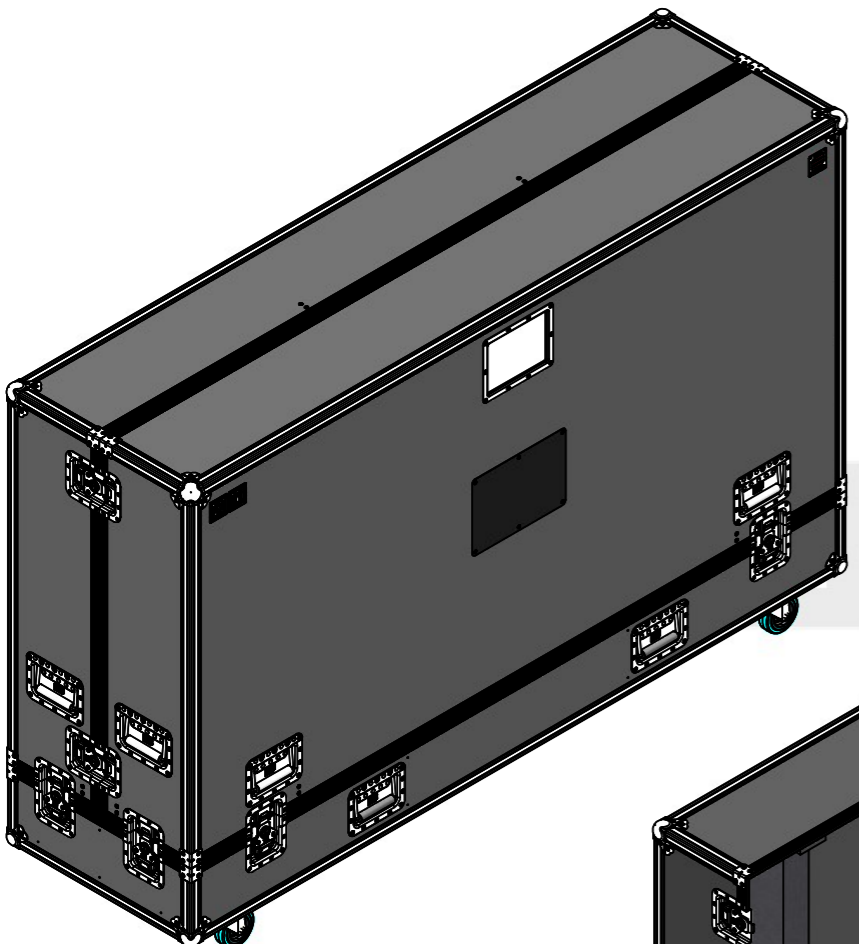


Equipment	Display 70" - 86" / 50"	
Width	Depth	Height
1933	86	1103
Internal Dimensions		
Width	Depth	Height
2020	120	1150
FC Weight	Approx. 138.5 Kg	
Wall Thickness	10mm	

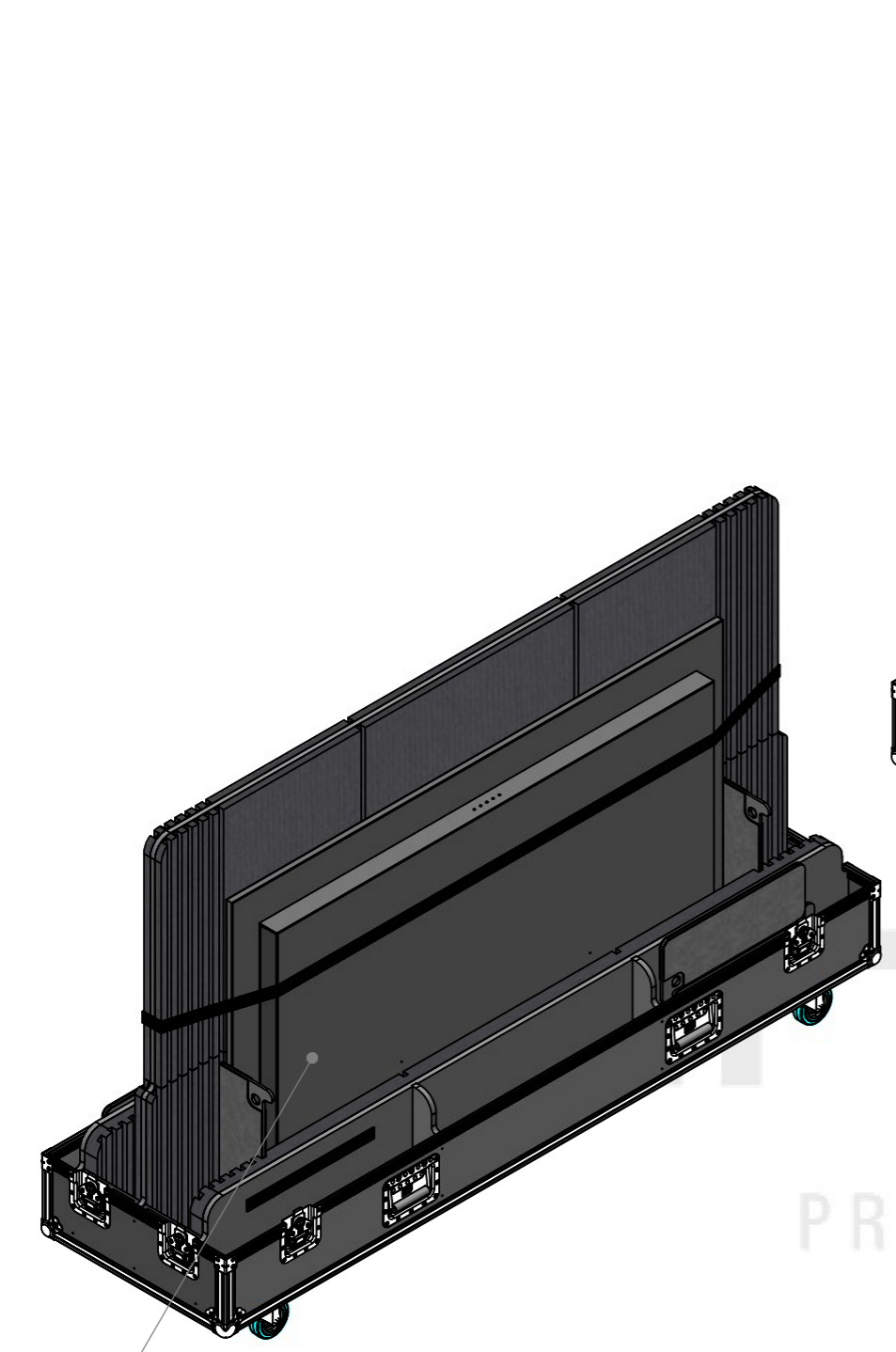


General External Dimensions		Usable Inner Dimensions	
W	Width	Wi	Inside Width
D	Depth	Di	Inside Depth
H	Height	Hi	Inside Height

A3 This drawing must not be copied or disclosed without consent of the owner

Drawn by	Name	Date
catarina.silva	catarina.silva	30/04/2026
Reference	VDP3.21060127.02AJ	
Scale	units in mm	general tolerance
1:19	DO NOT SCALE	0.8mm
1st Angle projection	FC PRO 2T, 1-2 Plasmas 70" a 86" 3x-6x 50" Vertical	

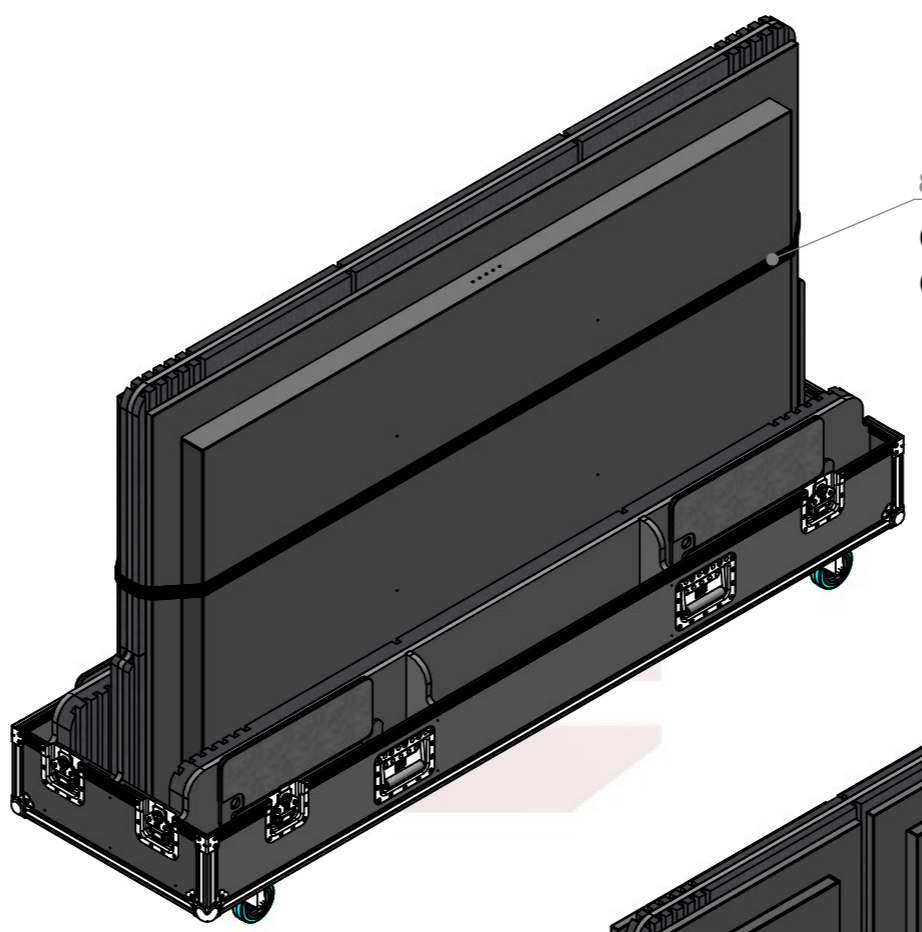




70' Display

COMBINATION SMALL

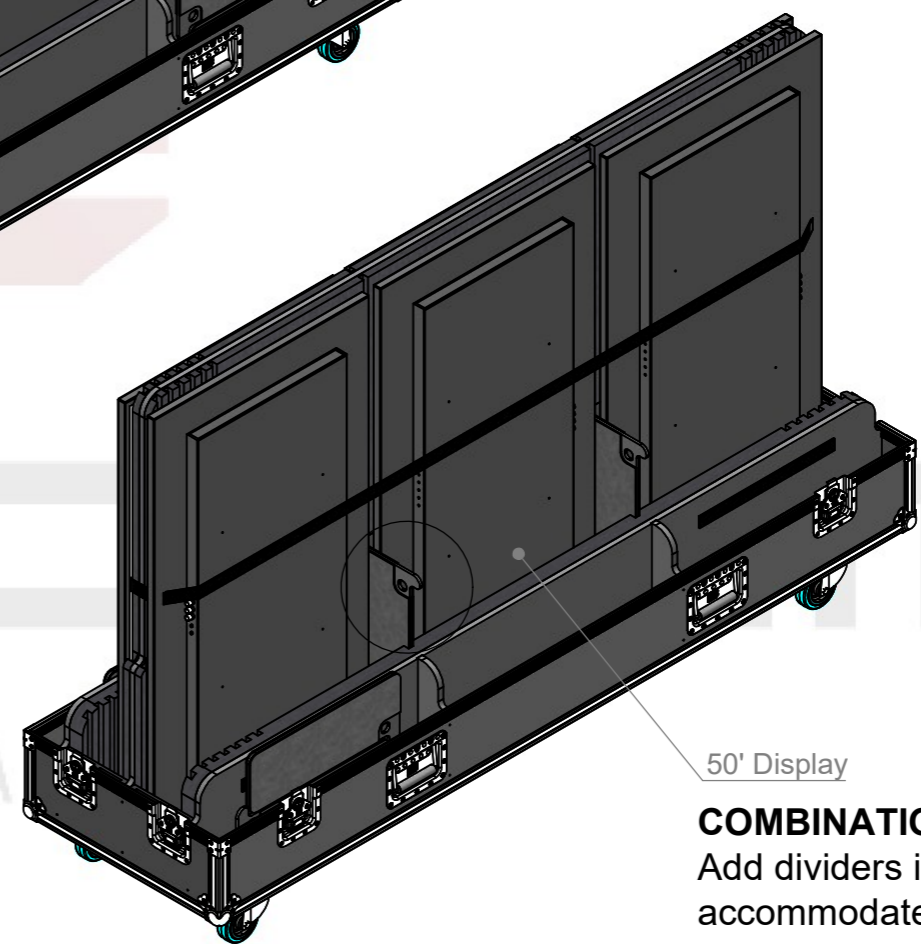
Positioning dividers can hold smaller displays down to 70'.



86' Display

COMBINATION STANDARD

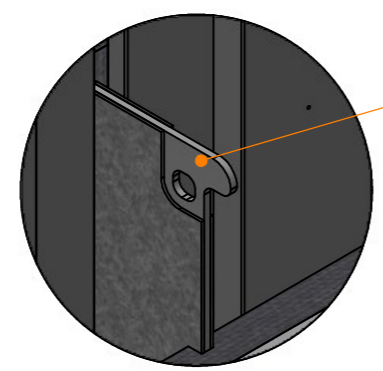
Carries up to 2x 86' displays.



50' Display

COMBINATION MULTIPLE

Add dividers in the middle slot to accommodate displays up to 50'.



D01.04515.03

Dividers to secure the displays and prevent them from moving side to side.

Drawn by	Name	Date
catarina.silva	catarina.silva	30/04/2026
Reference	VDP3.21060127.02AJ	
Scale	units in mm	general tolerance
1:16	DO NOT SCALE	0.8mm
FC PRO 2T, 1-2 Plasmas 70" a 86" 3x-6x 50" Vertical		



This drawing must not be copied or disclosed without consent of the owner



A3