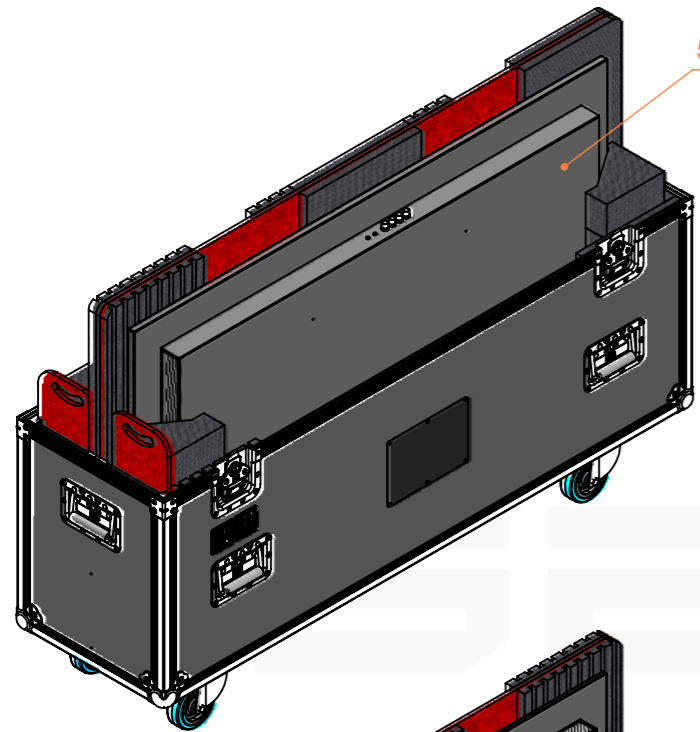
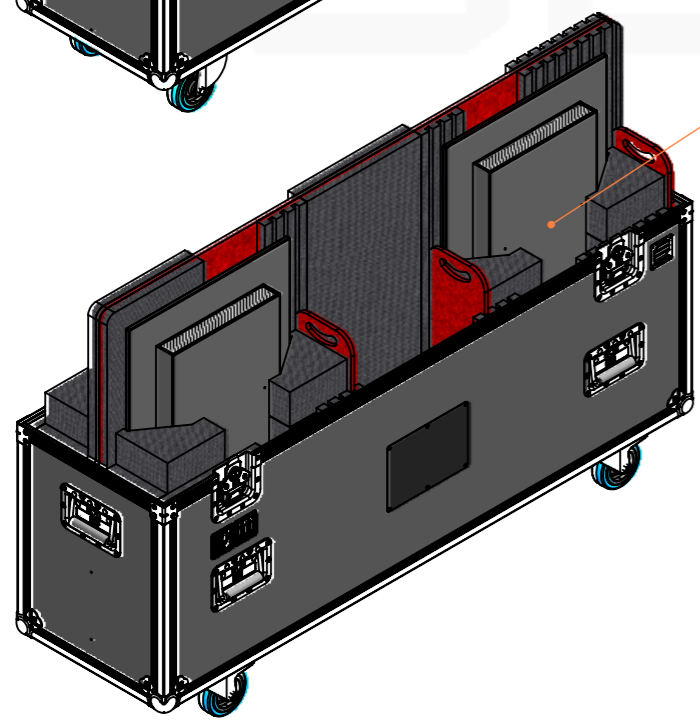


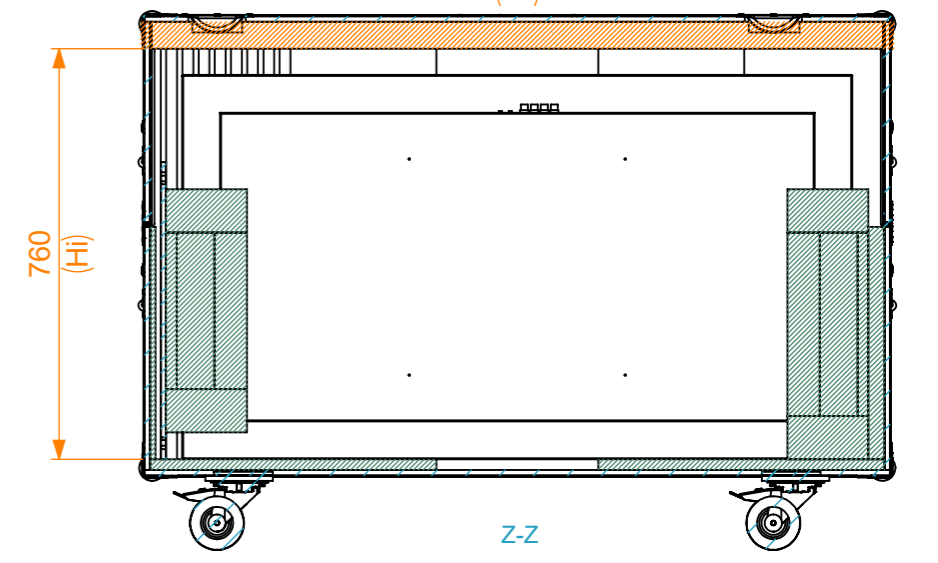
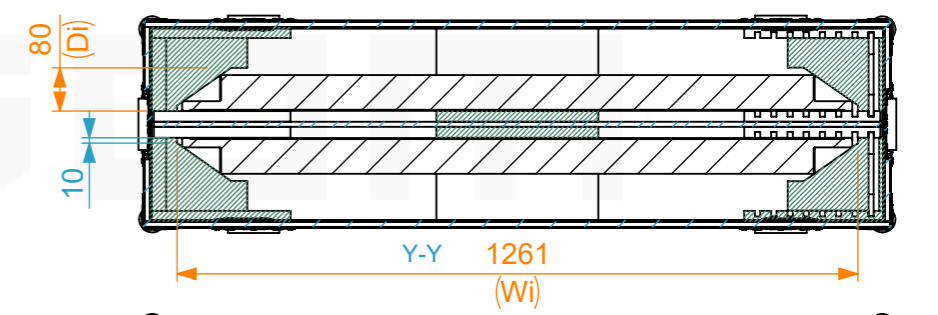
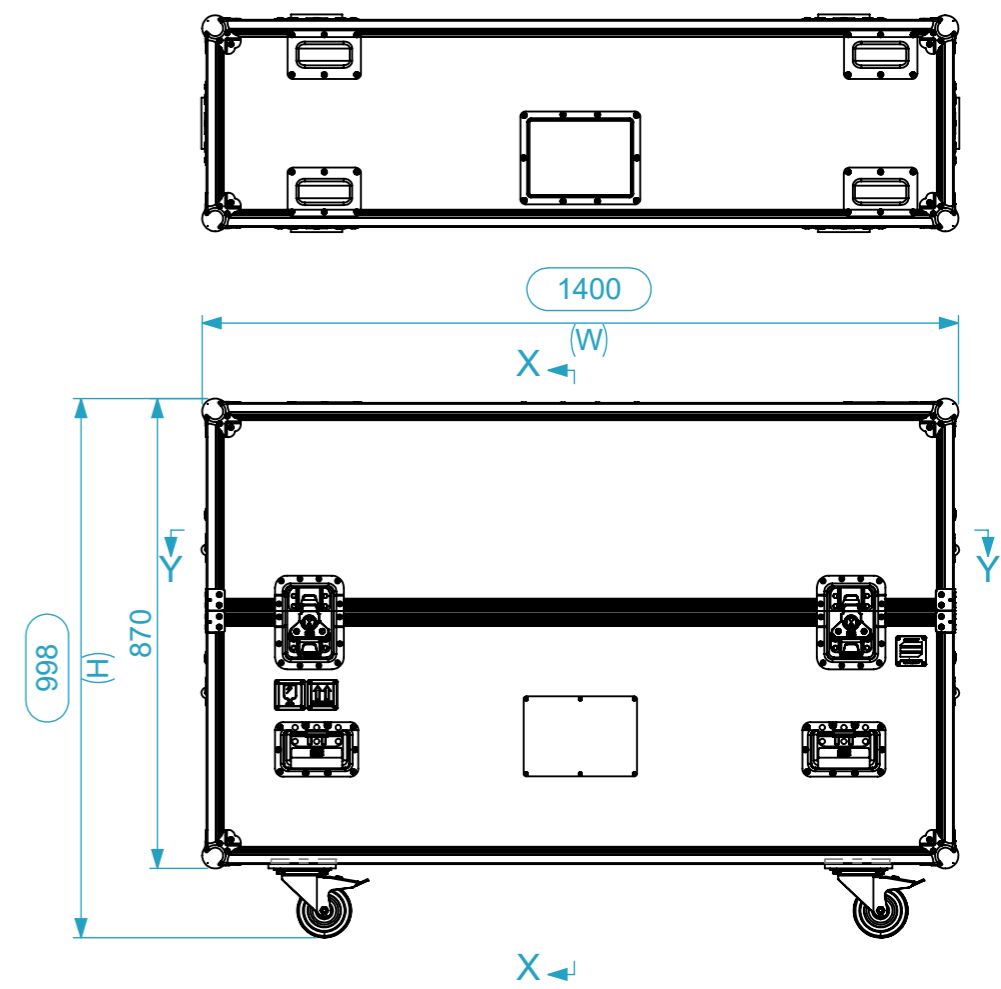
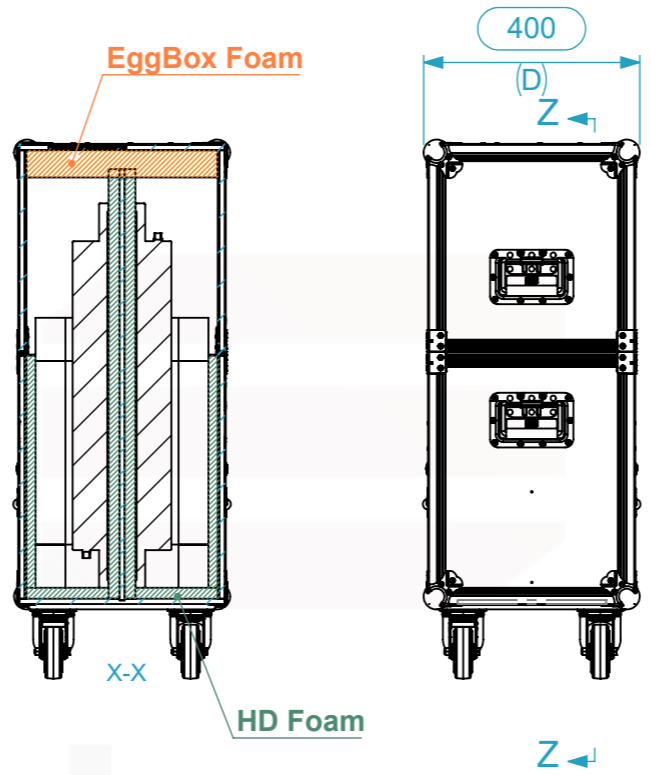
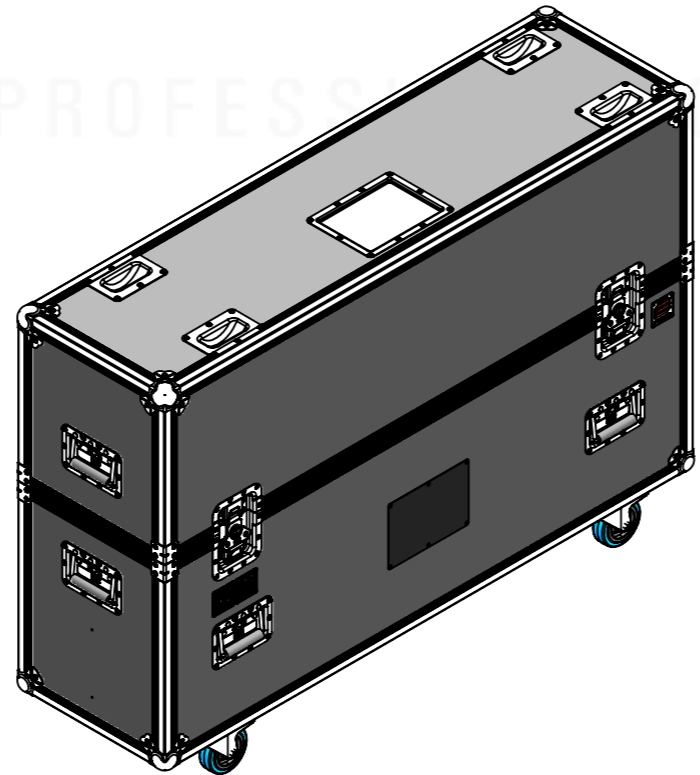
Equipment	Monitor 43"-55"/32"	
Internal Dimensions		
Width	Depth	Height
1261	80	760
Weight	Approx. 76 Kg	
Wall Thickness		10mm



55" monitor



32" monitor



General External Dimensions		Usable Inner Dimensions	
W	Width	Wi	Inside Width
D	Depth	Di	Inside Depth
H	Height	Hi	Inside Height

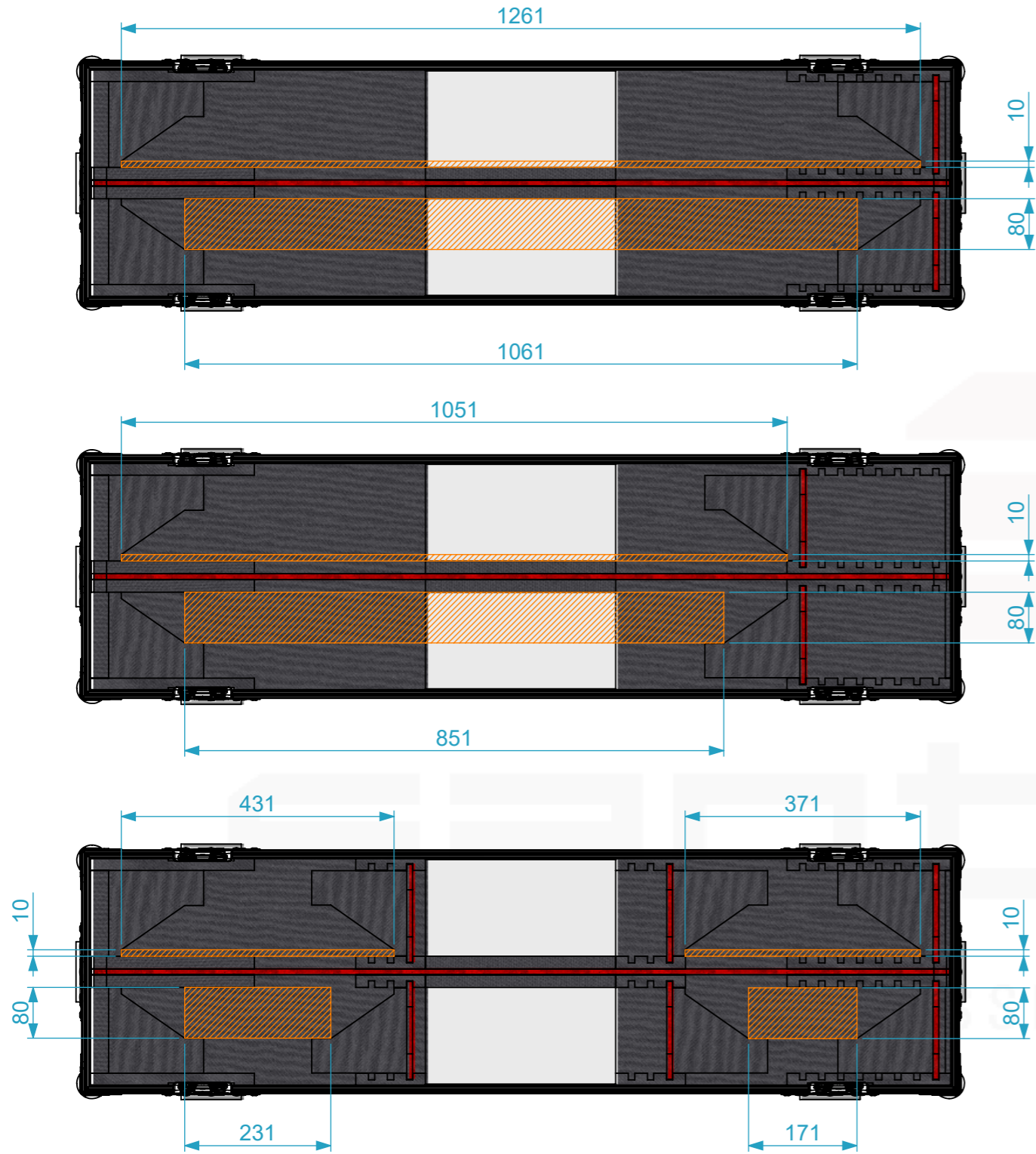
Name	Date
Drawn by projects	28/06/2024
Reference	VDP2.1404090.02
Scale	1:14
units in mm	general tolerance 0.8mm
DO NOT SCALE	
FC PRO, 1-2 Plasma 43" a 55" 2-4 Vertical 32"	



A3 This drawing must not be copied or disclosed without consent of the owner



MONITOR LENGTH



Depth (Di) defines min-max Width (Wi)

Monitors 55'

dimension in mm

Monitors 32'

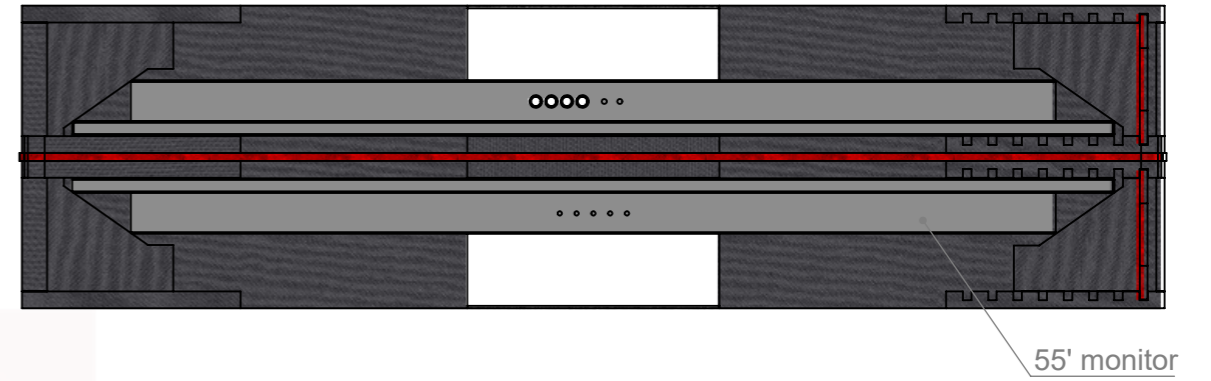
dimension in mm

Di	Wi - MIN	Wi - MAX	Di	Wi - MIN	Wi - MAX
10	1061	1261	10	371	431
20	1033	1233	20	344	403
30	1004	1204	30	315	374
40	976	1176	40	287	346
50	947	1147	50	258	317
60	918	1118	60	230	288
70	890	1090	70	201	260
80	861	1061	80	171	231

CONFIGURATION

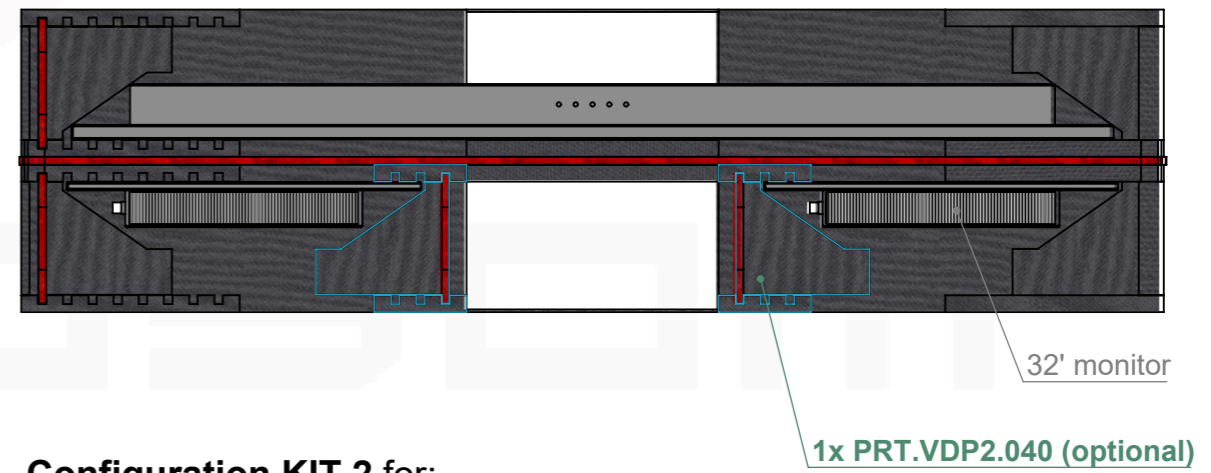
Configuration STANDARD

- 2x 43' to 55' monitors



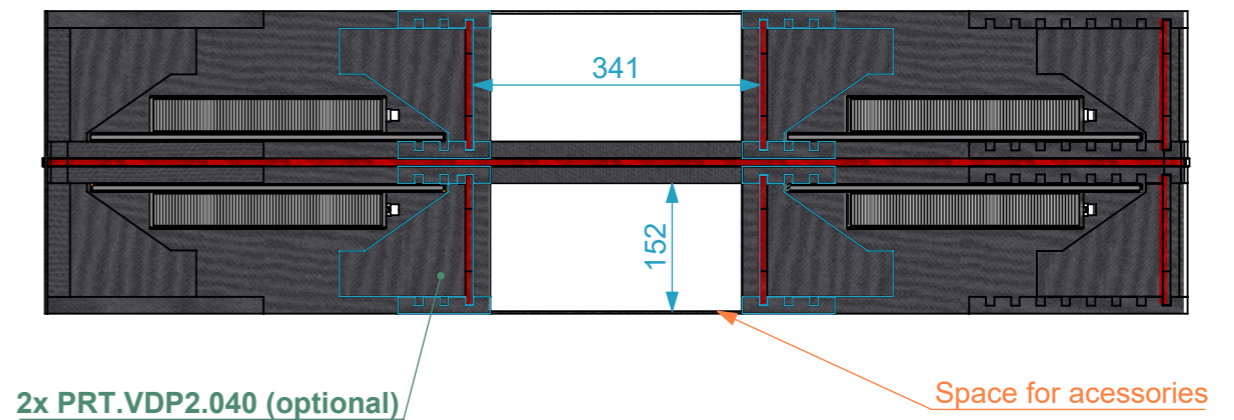
Configuration KIT 1 for:

- 1x 43' to 55' monitor
- 2x 32' monitors



Configuration KIT 2 for:

- 4x 32' monitors



Drawn by	Name	Date
projects	projects	28/06/2024
Reference	VDP2.1404090.02	
Scale	units in mm	general tolerance
1:9	DO NOT SCALE	0.8mm
1st Angle projection	FC PRO, 1-2 Plasma 43" a 55" 2-4 Vertical 32"	



This drawing must not be copied or disclosed without consent of the owner

A3