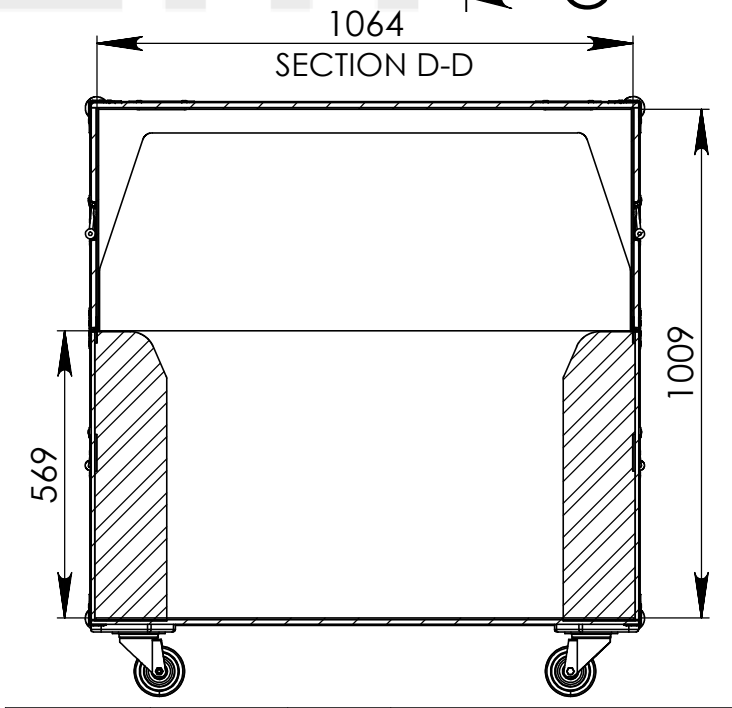
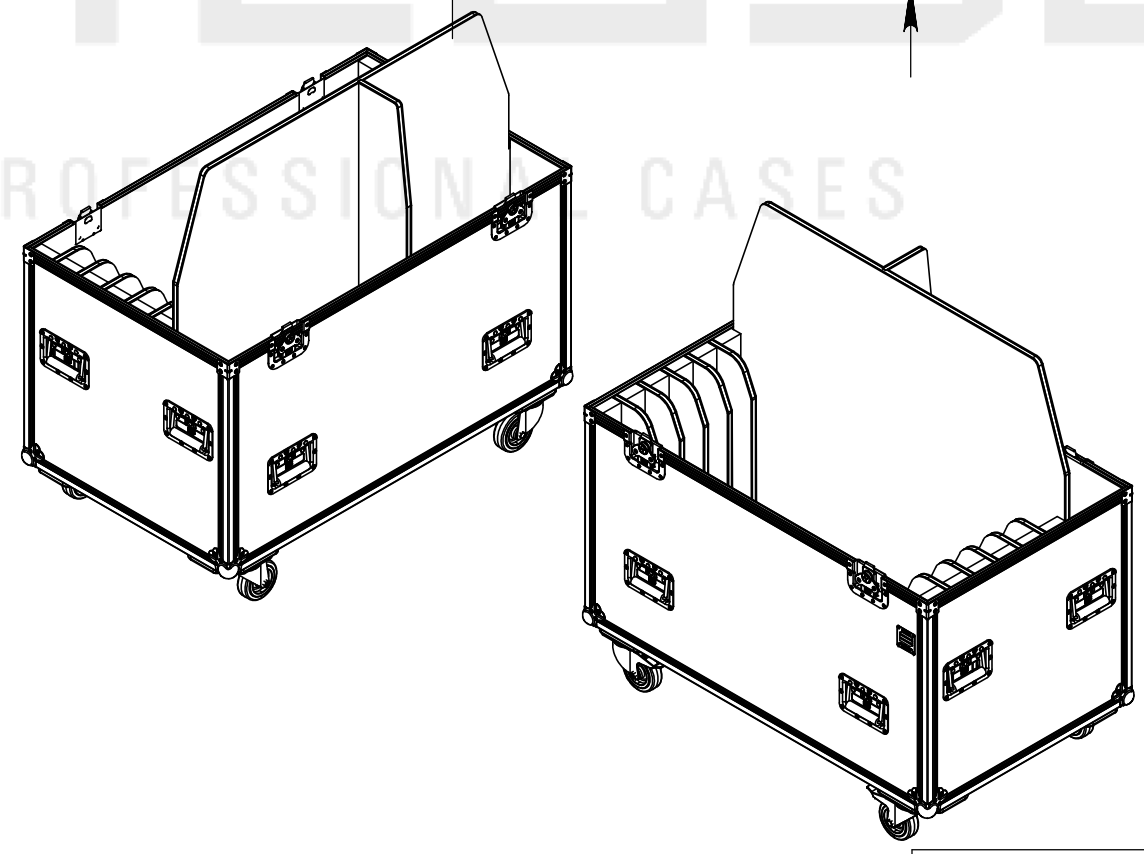
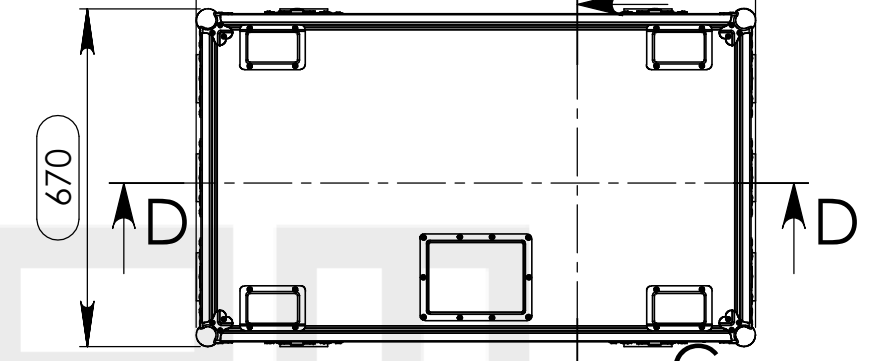
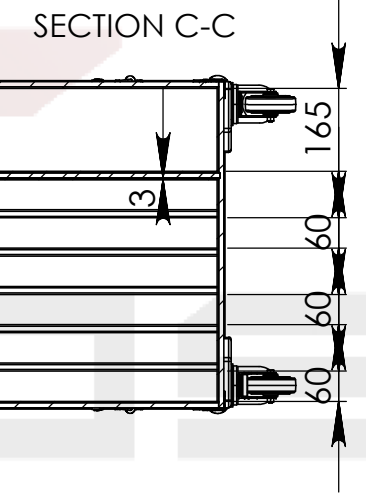
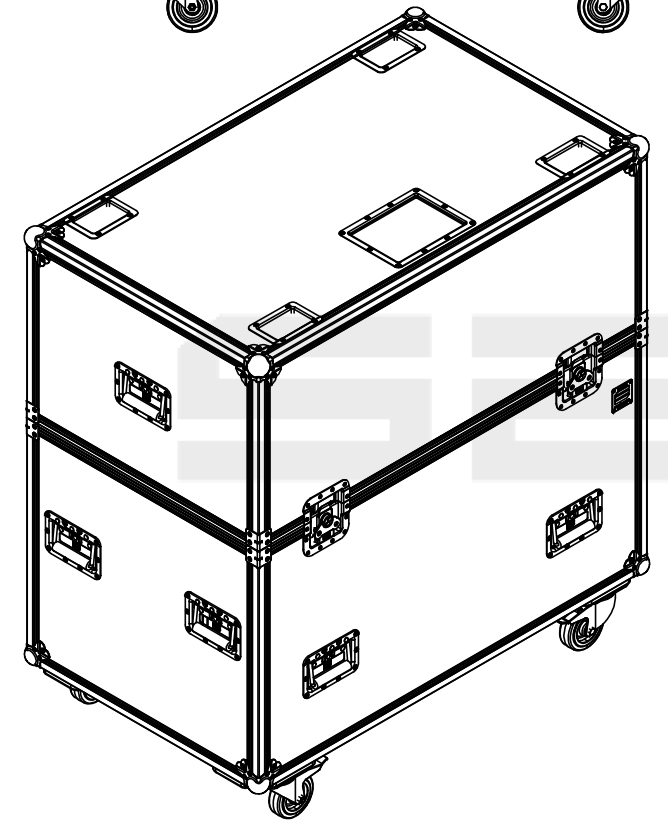
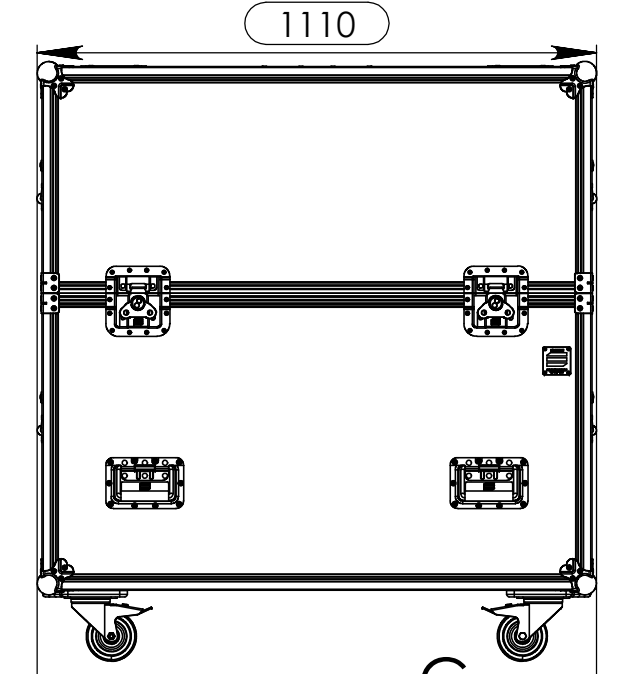
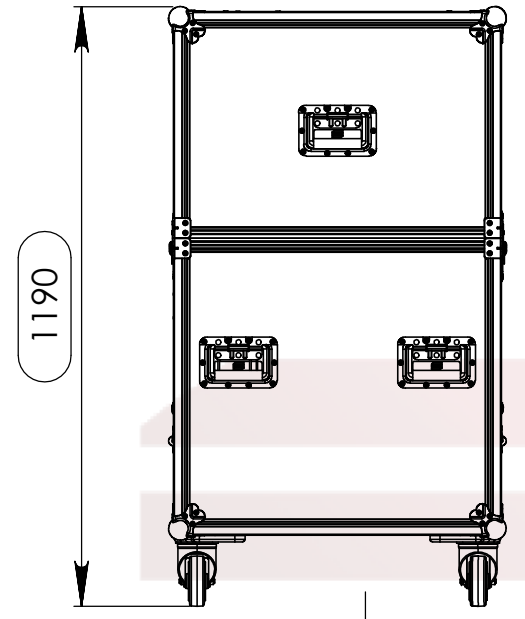
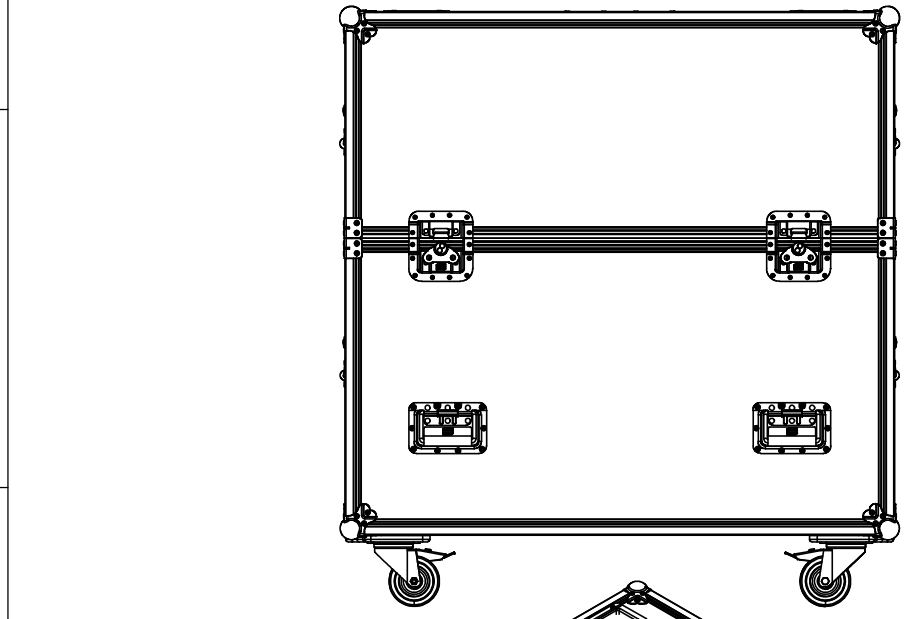


Interior dimensions		
Width	Depth	Height
1064	627	1009
Weight	Approx. 69 Kg	
Wall Thickness	10mm	

REVISIONS				
ZONE	REV.	DESCRIPTION	DATE	APPROVED
-	0	Final Drawing	20/05/2016	Carlos Rodrigues



Hardware		
Qty	Ref.	Description
8	410429	Heavy Duty Ball Corner
8	40403	Large corner bracket f. 35mm case angle
1	88001D	Dish for 88001 Tour Label
2	RODA.100T	Swivel castor Ø100mm with brake
2	RODA.100	Swivel castor Ø100 mm
10	34082	Recessed sprung handle medium model
4	172531	Large butterfly V3 with 'push-back' function
4	38082	Castor dish deep zinc plated

Drawn by	Name	Date
projects		20/05/2016
Reference	TRIPES.409	
Scale	units in mm	general tolerance
1:15	DO NOT SCALE	0.8mm
1st Angle projection	FC. 6X STAIRVILLE IX STAGE 1X1M RAISER 20/40CM	



A3 This drawing must not be copied or disclosed without consent of the owner