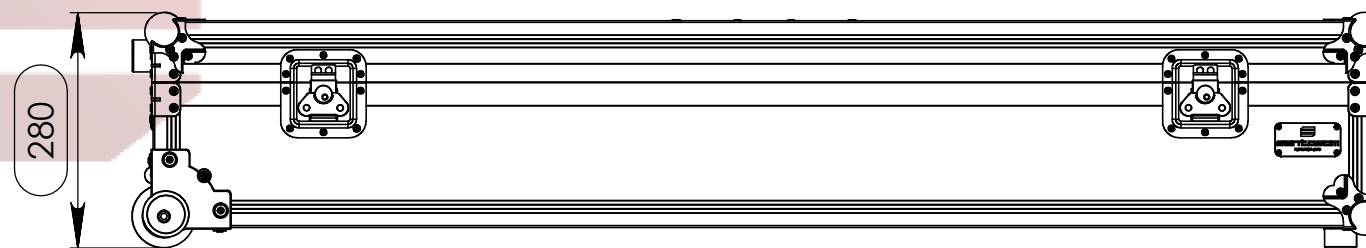
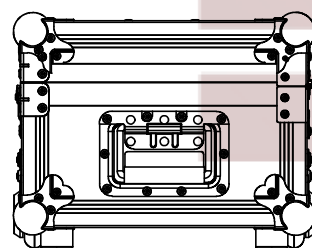
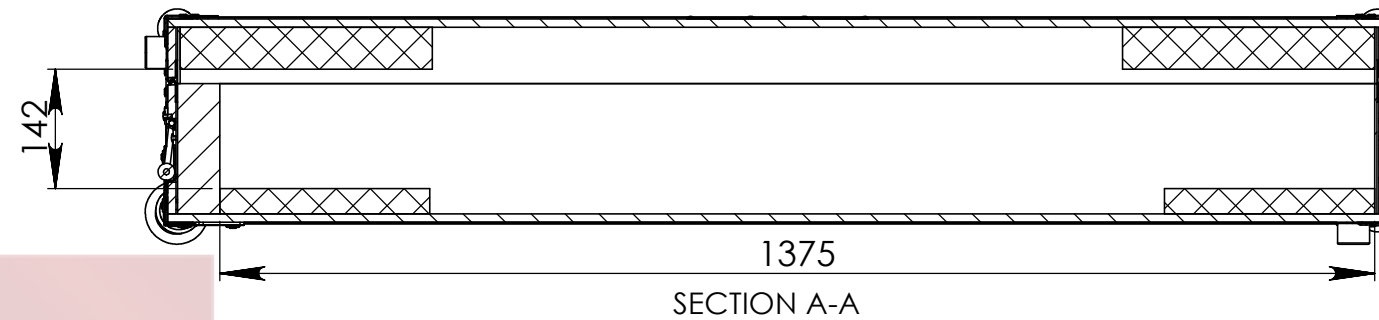
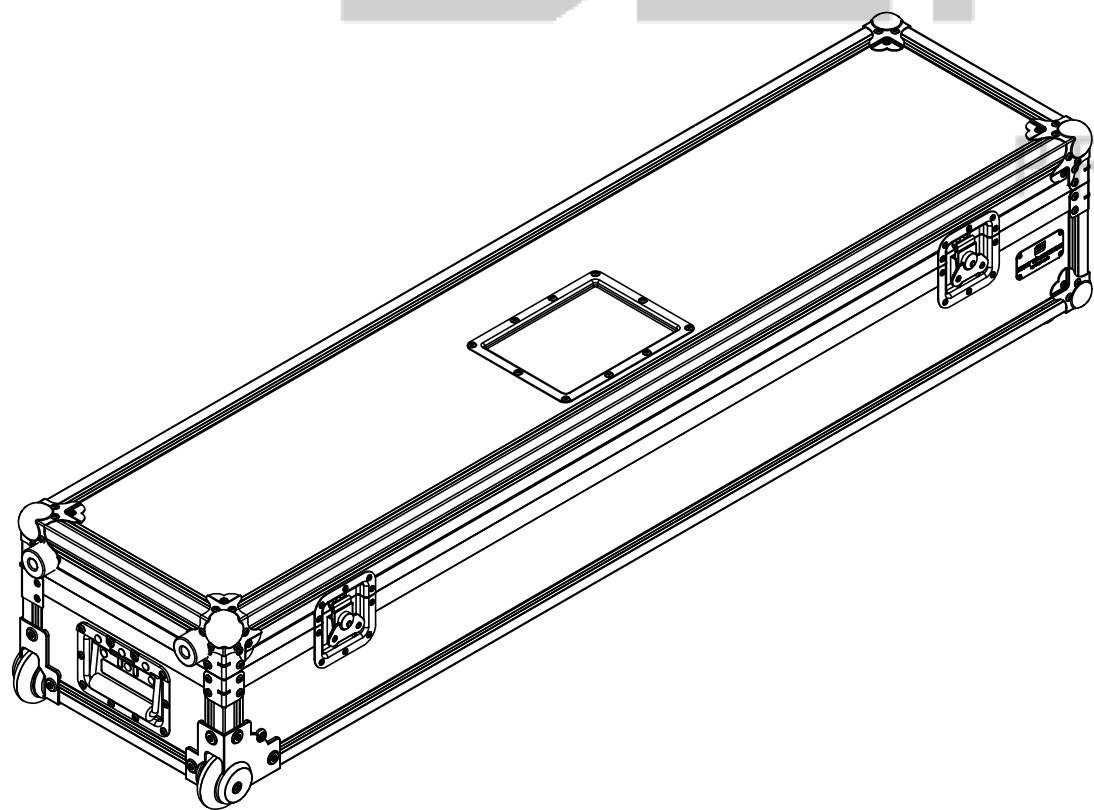
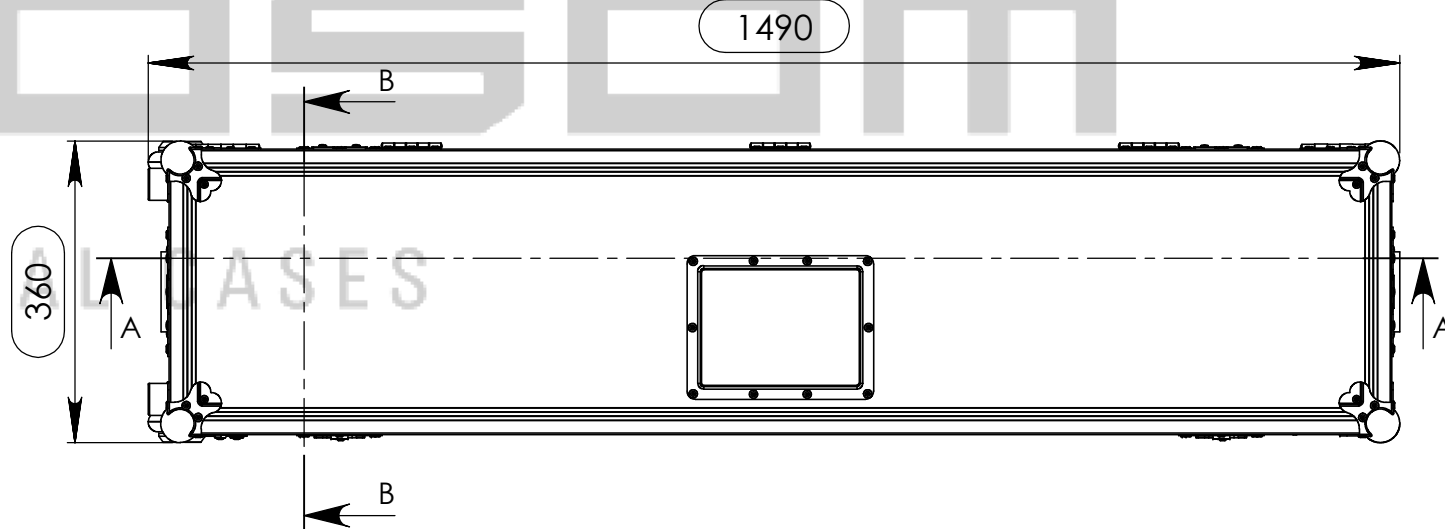
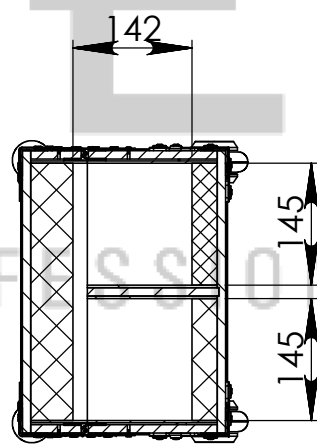


Interior dimensions		
Width	Depth	Height
1375	145	142
Weight	Approx. 28 Kg	
Wall Thickness		10mm



santosom
PROFESSIONAL CASES



This drawing must not be copied or disclosed without consent of the owner

Drawn by	Name	Date
DanielLopes	DanielLopes	03-05-2012
Reference	TRIPES.407	
Scale	units in mm	general tolerance
1:9	DO NOT SCALE	0.8mm
1st Angle projection	FC. 2 Tripés Manfroto 007 BSU, rodas canto	

