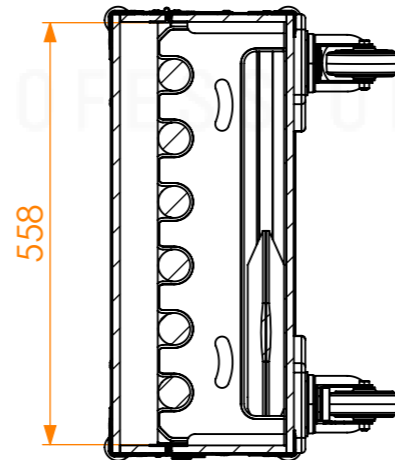
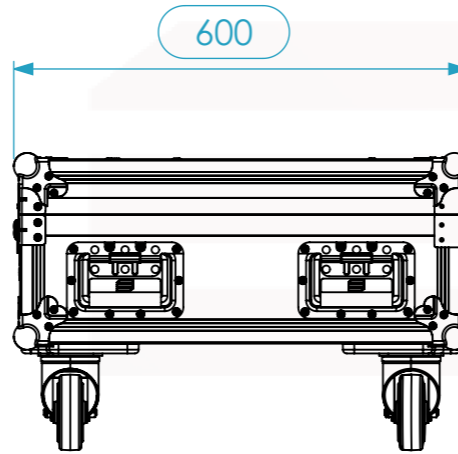
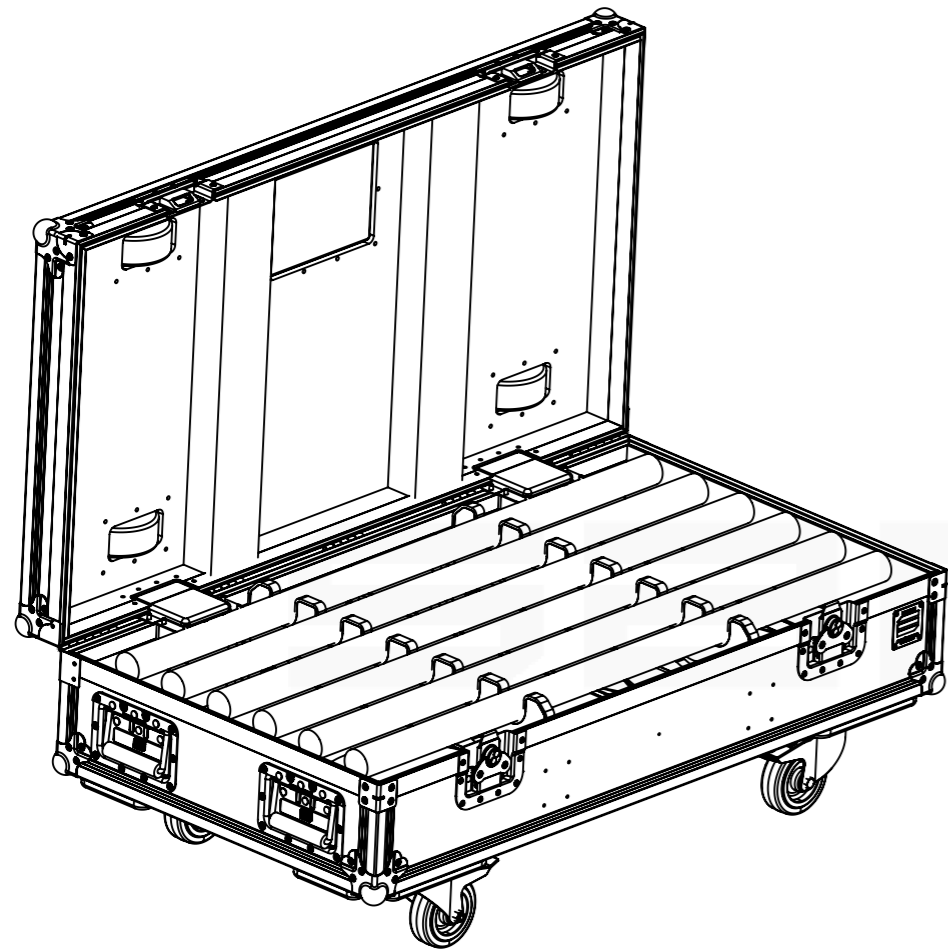
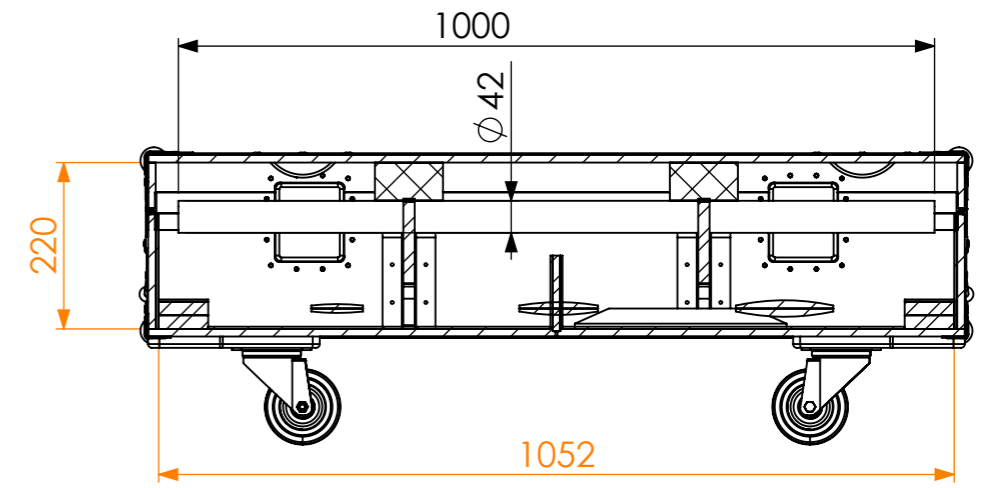


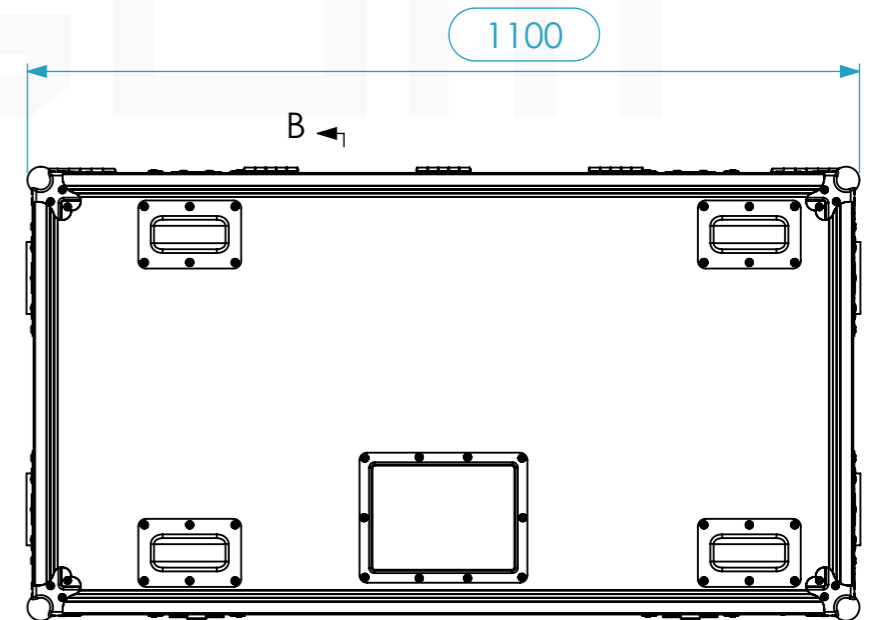
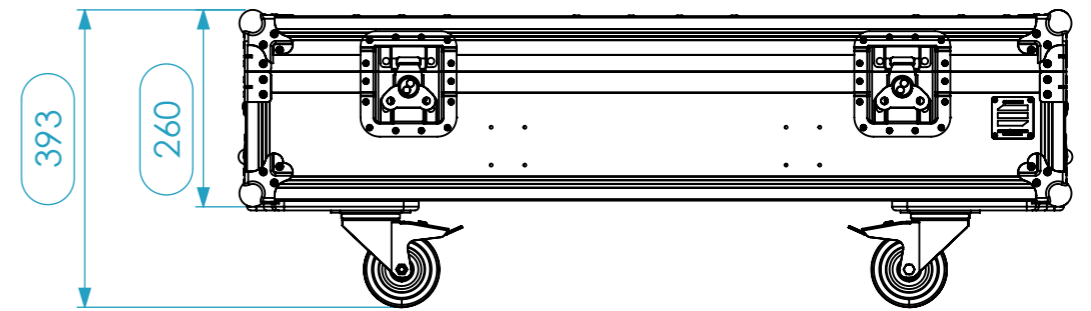
Internal Dimensions		
Width	Depth	Height
1056	556	220
Weight	Approx. 32 Kg	
Wall Thickness	10mm	



SECTION B-B



SECTION A-A



B

Drawn by	Name	Date
CarlaSilva	CarlaSilva	30/05/2018
Reference	TRIPES.211	
Scale	units in mm	general tolerance
1:10	DO NOT SCALE	0.8mm
FC, 6 TRIPÉS K&M 26125	RODAS	



This drawing must not be copied or disclosed without consent of the owner

A3

1st Angle projection