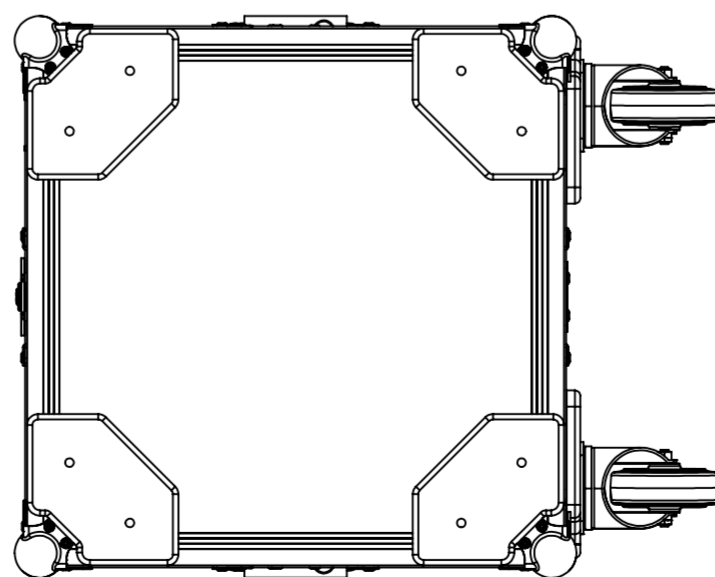
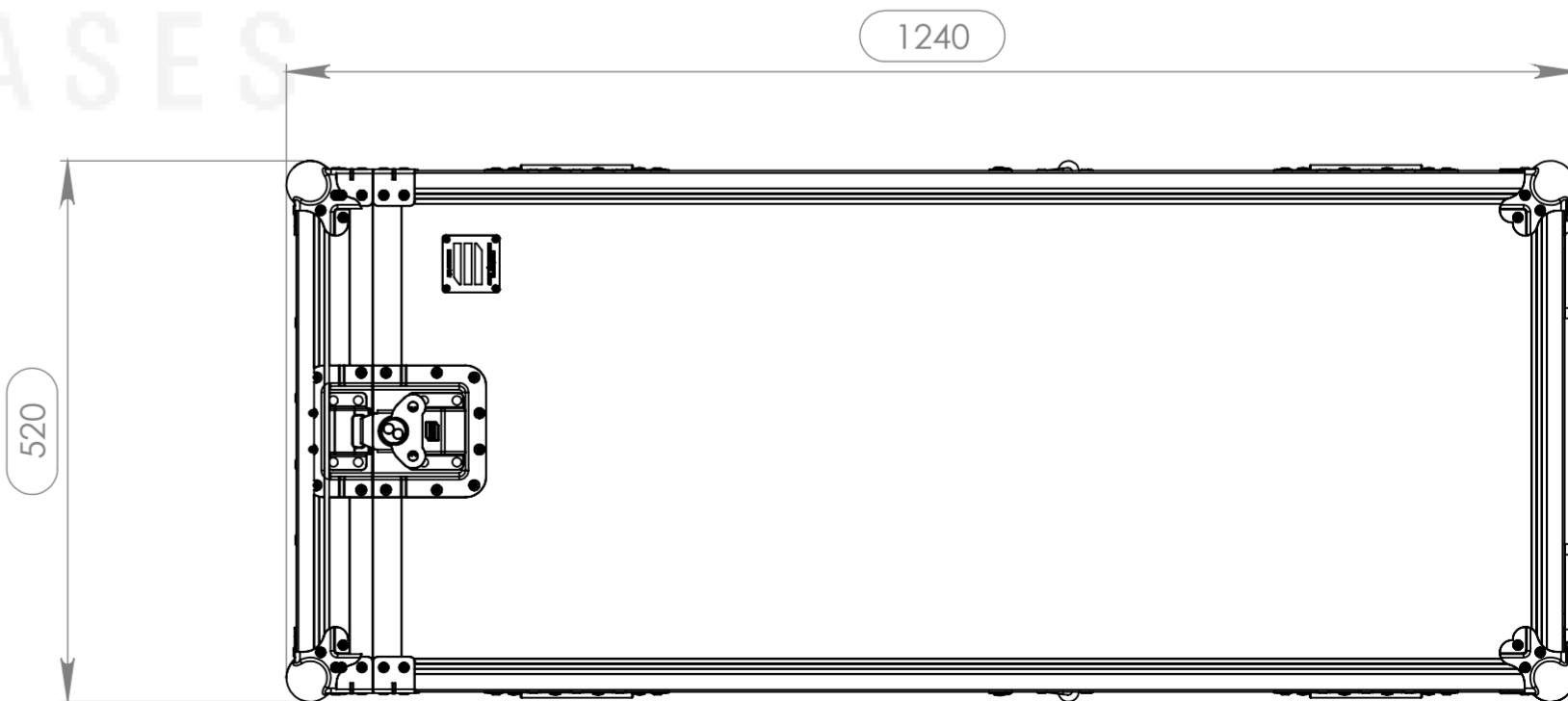
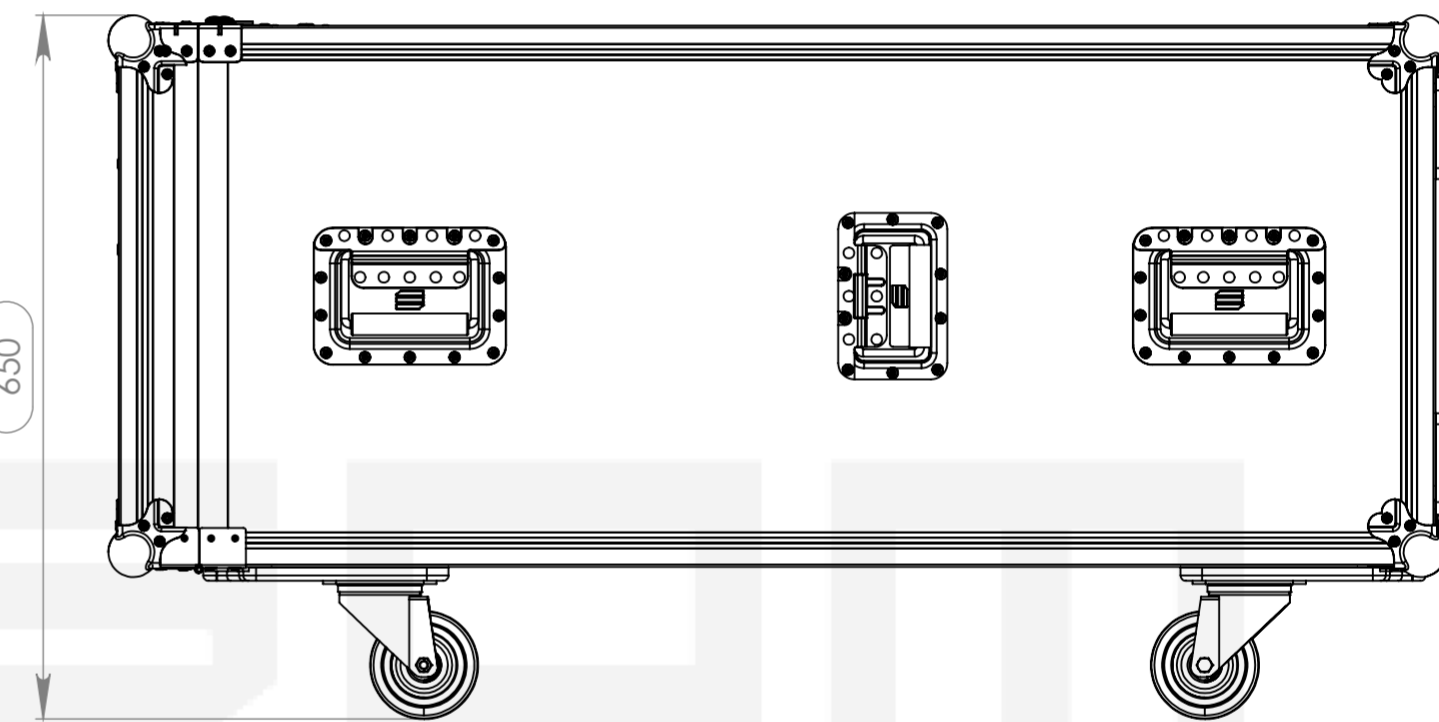
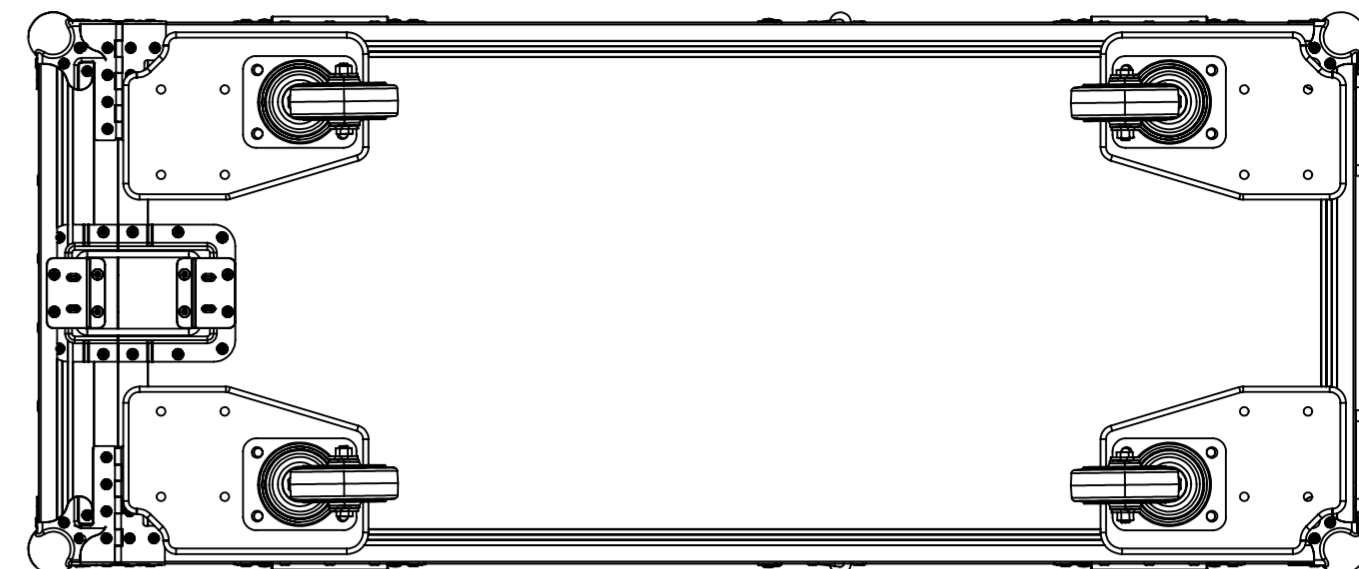
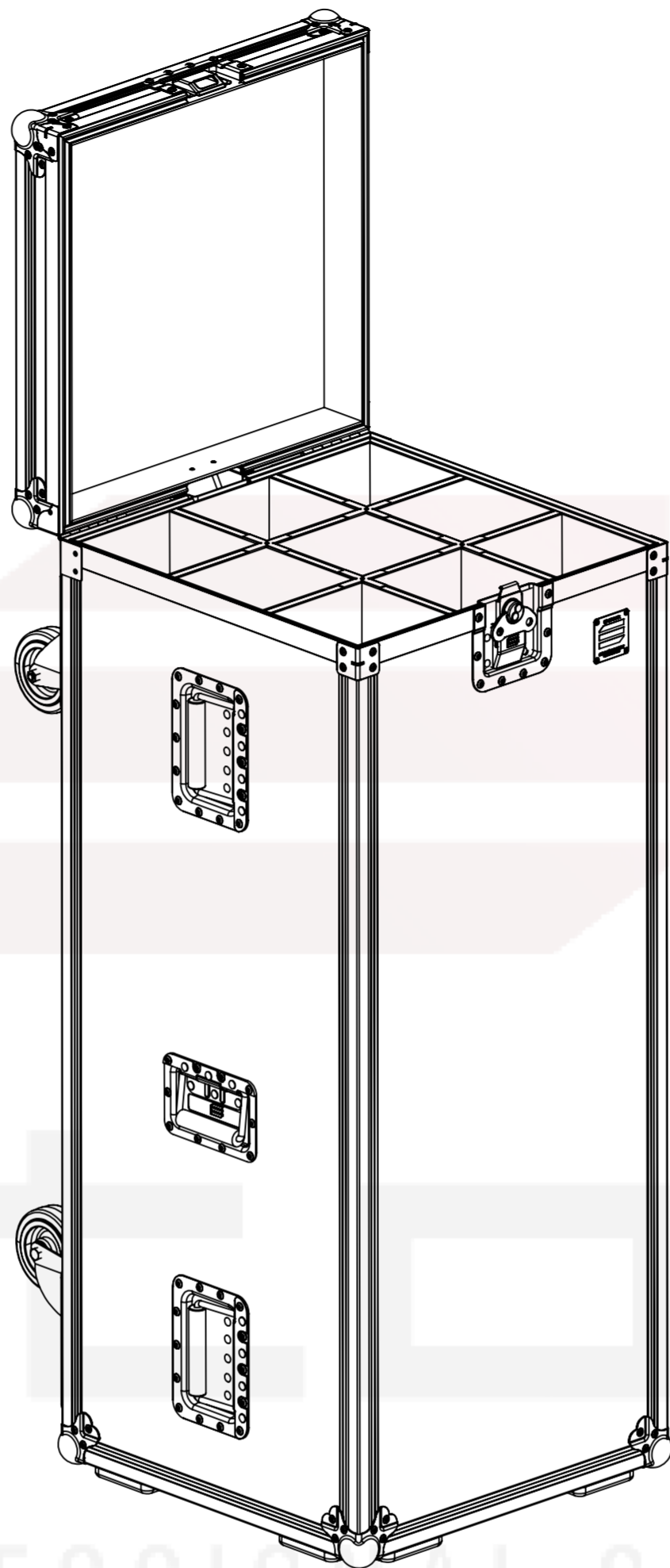
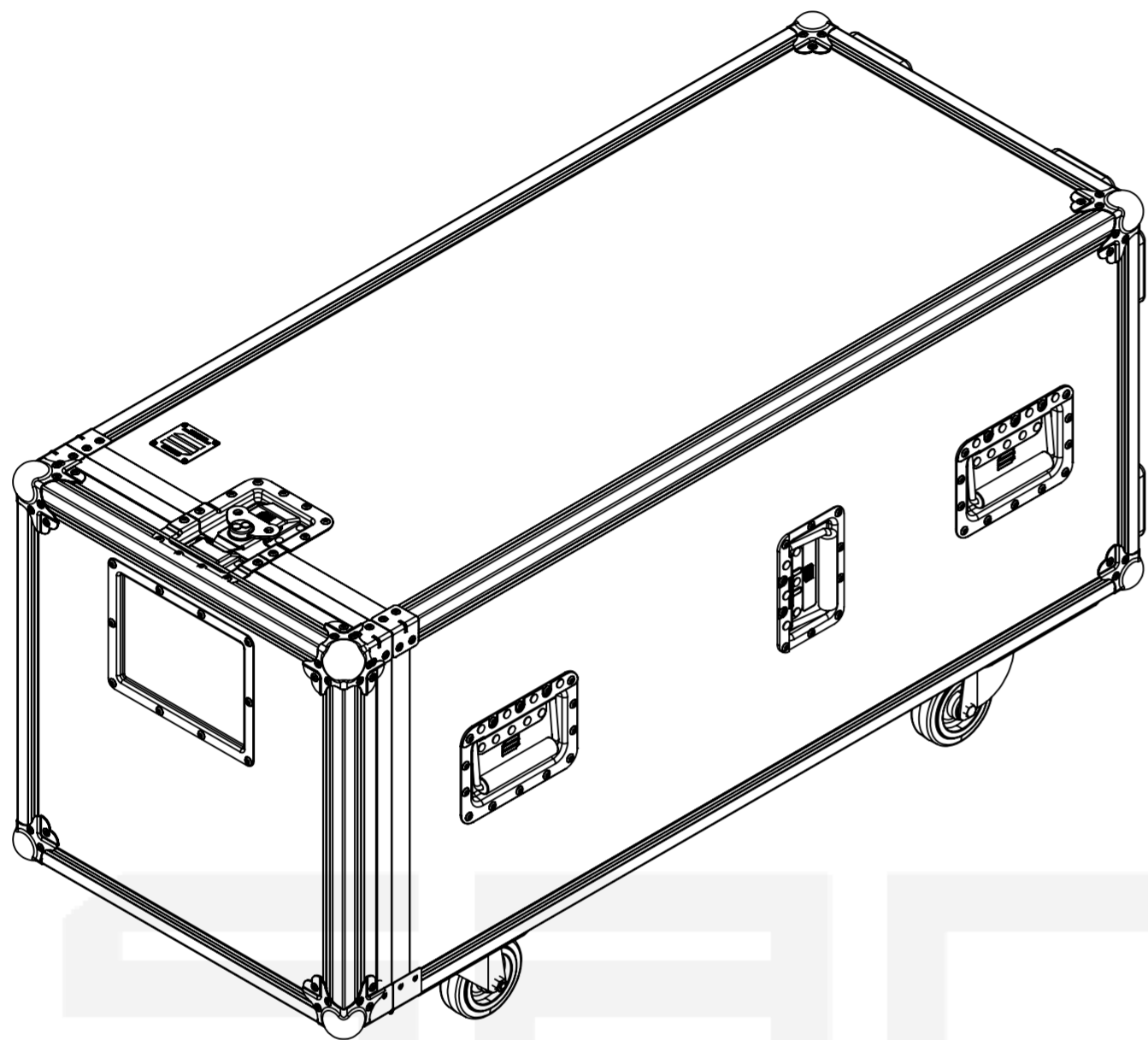


Interior dimensions		
Width	Depth	Height
151	151	1195
Weight	Approx. 48 Kg	
Wall Thickness	10mm	



Hardware		
Qty	Ref.	Description
8	4101	Heavy Duty Ball Corner
4	40403	Large corner bracket f. 35mm case angle
4	34085	Large, heavy duty, recessed sprung handle
1	172511COM <sub>p</sub>	Large AH butterfly with 'push-back', 14mm dish
1	CHAPA.1000	Identification Plate
1	270836	Large lidstay cranked / hinge
2	34082	Recessed sprung handle medium model
2	DCR110	110MM hinge shot
4	RODA.100	Swivel castor Ø100 mm
1	88001D	Dish for 88001 Tour Label
4	4291	Bracket for dividing walls

PROFESSIONAL CASES

1240

520

Name	Date
Drawn by	DanielLopes 12/10/2016
Reference	TRIPES.205
Scale	1:7
units in mm	general tolerance 0.8mm
1st Angle projection	FC, 9 Tripés de Coluna adam hall

This drawing must not be copied or disclosed without consent of the owner

