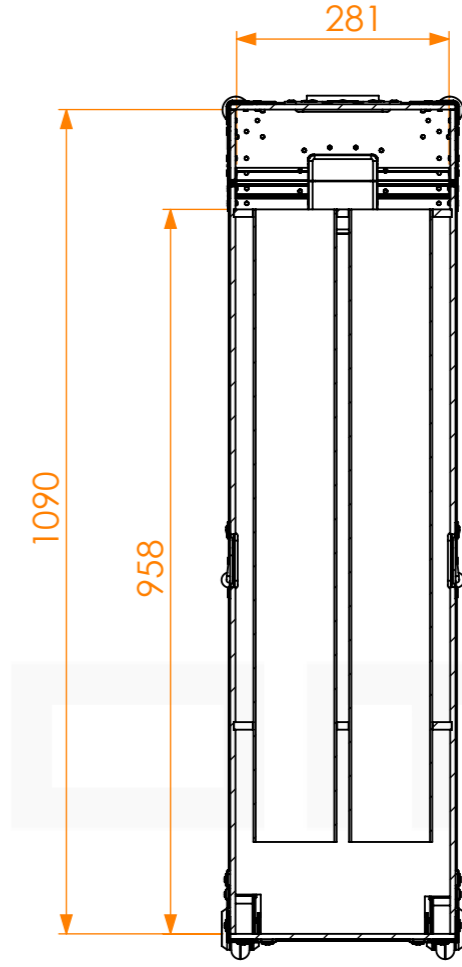
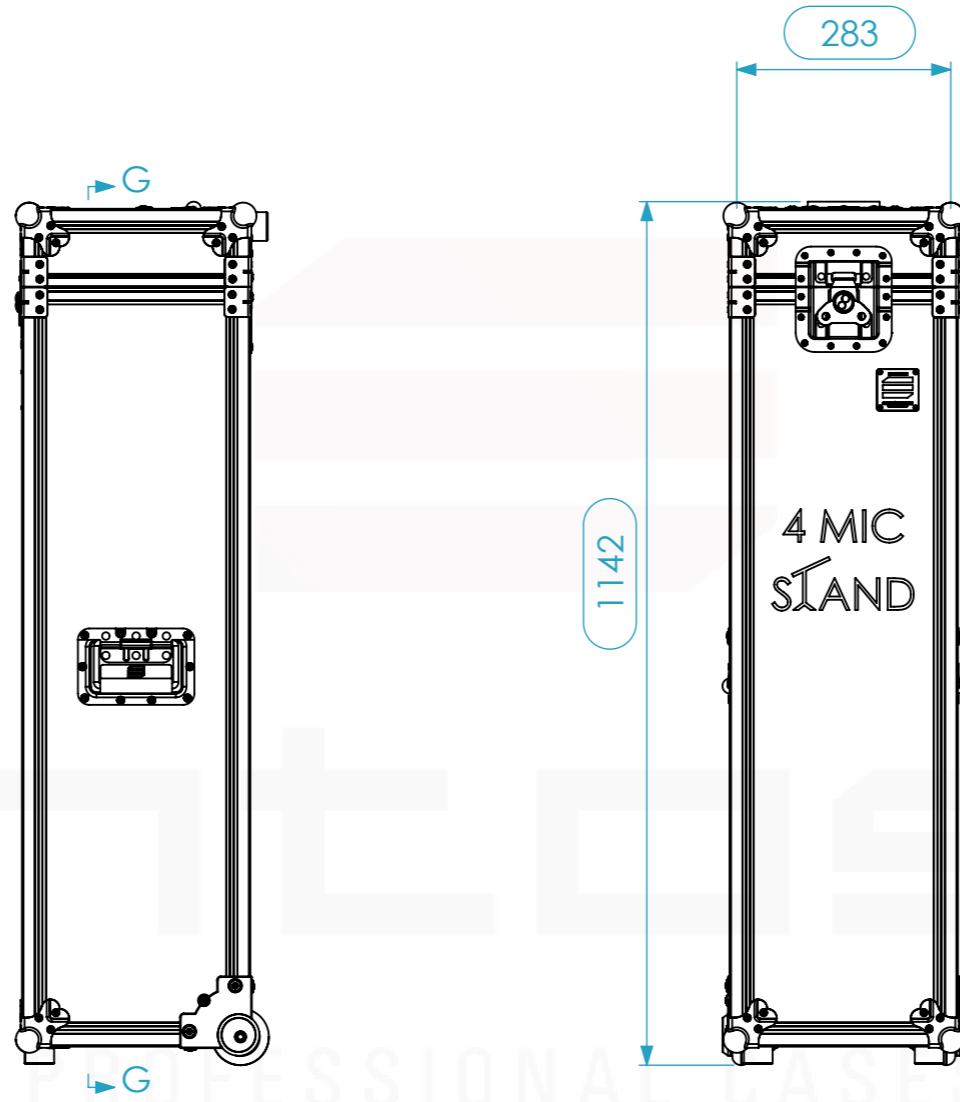
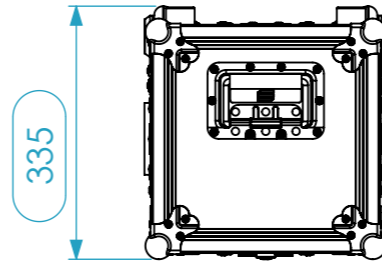


Internal Dimensions		
Width	Depth	Height
280	280	1090
Weight	Approx. 12 Kg	
Wall Thickness		7mm



G-G



Drawn by	Name	Date
CarlaSilva	CarlaSilva	14/12/2018
Reference	TRIPES.113	
Scale	units in mm	general tolerance
1:10	DO NOT SCALE	0.8mm
1st Angle projection	FC. 4 Tripés de Microfone, rodas	



This drawing must not be copied or disclosed without consent of the owner

A3