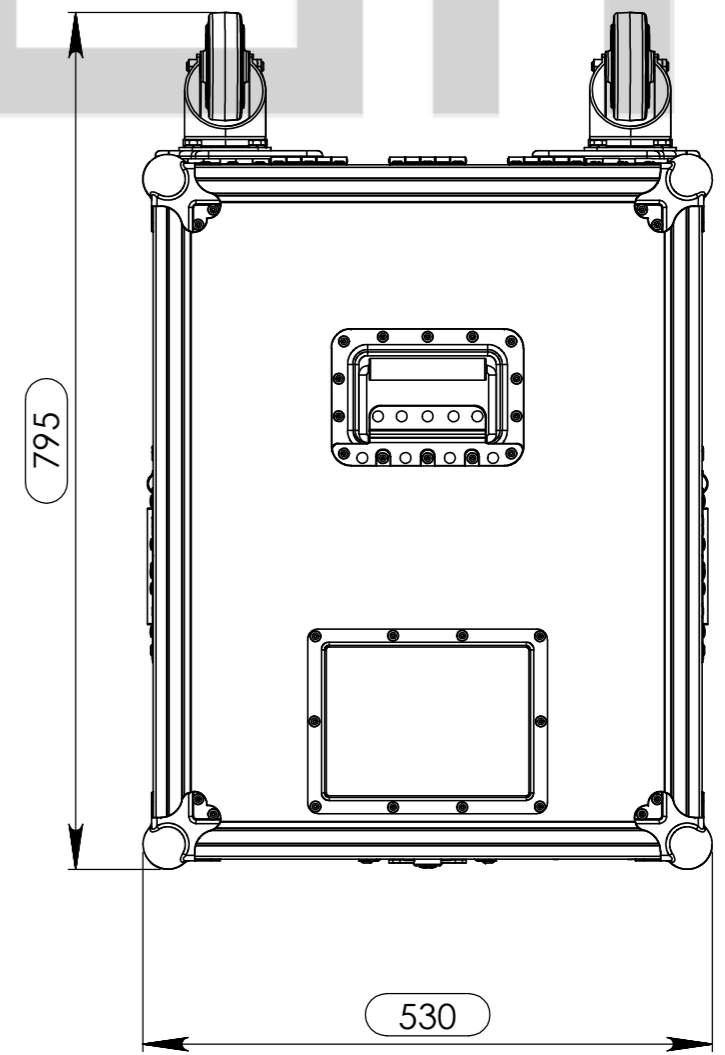
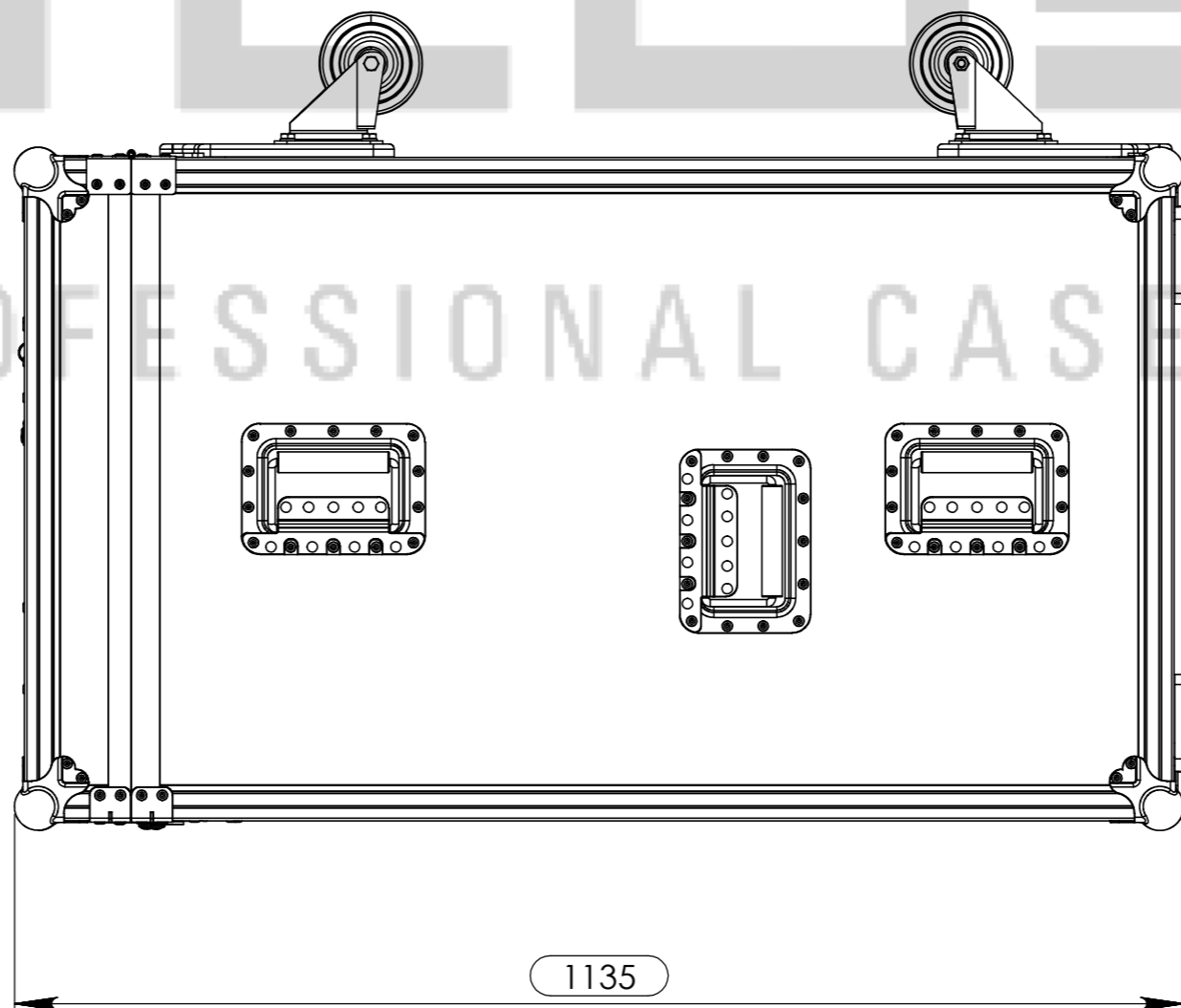
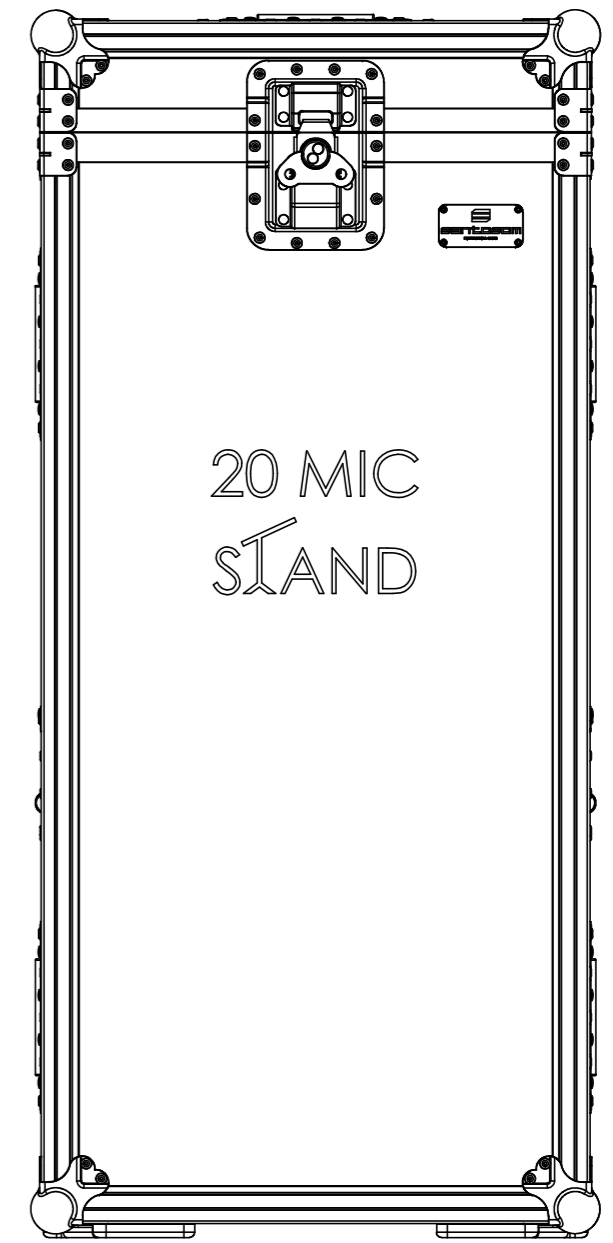
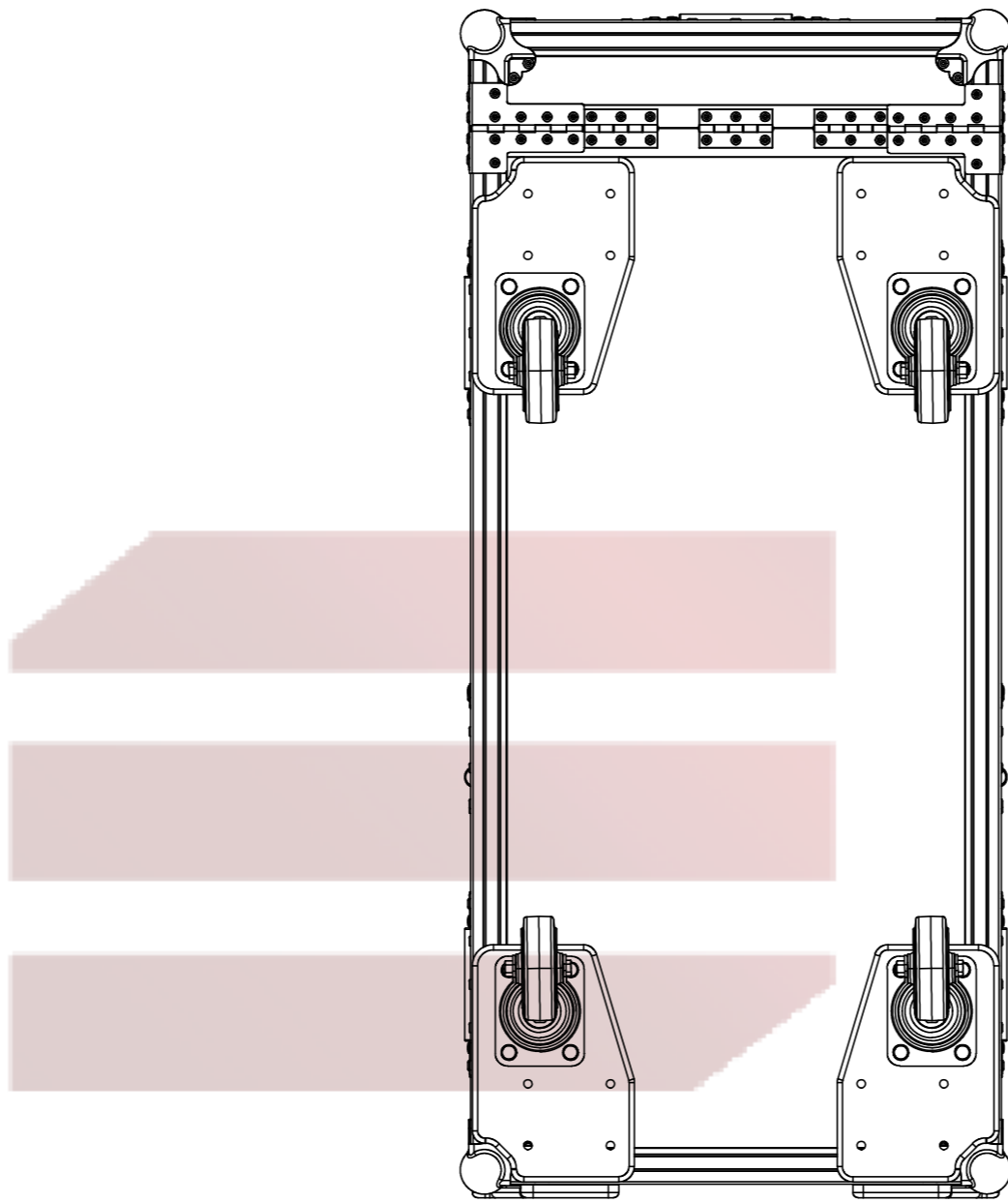
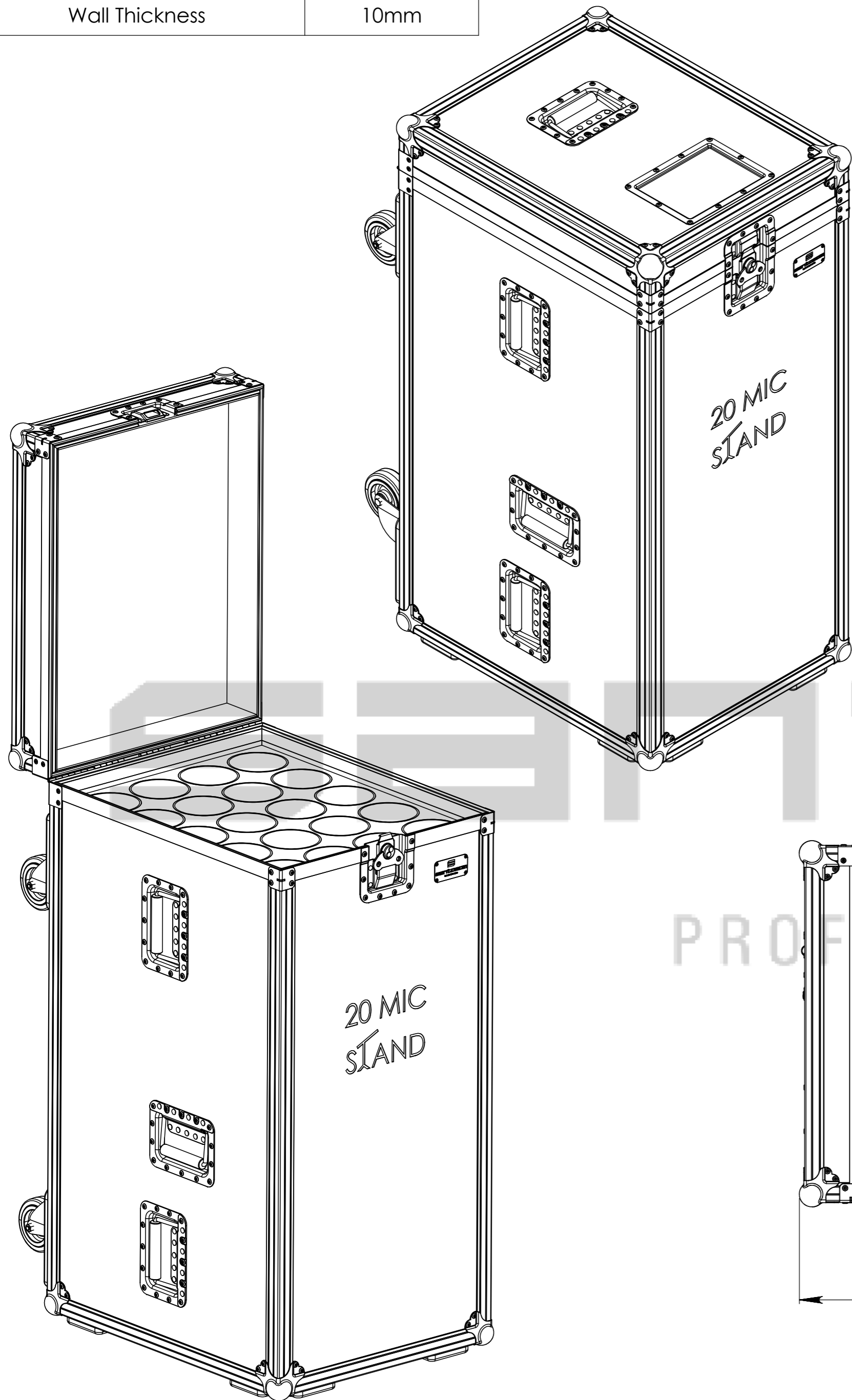


Interior dimensions		
Width	Depth	Height
Ø 100		1090
Weight	Approx. 45 Kg	
Wall Thickness	10mm	



PROFESSIONAL CASES

Name	Date
Drawn by: DaniellLopes	22-05-2012

Reference	TRIPES, 108
Scale	1:7
1st Angle projection	DO NOT SCALE

This drawing must not be copied or disclosed without consent of the owner

FC. 20 Tripés de Microfone, rodas

