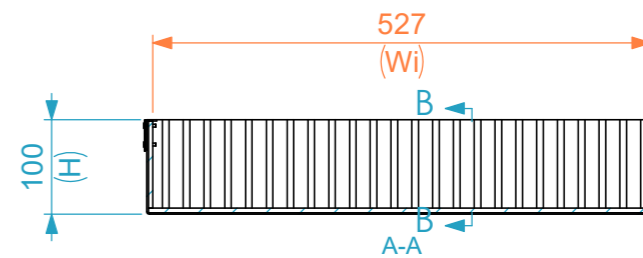
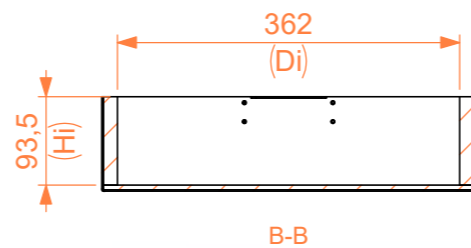
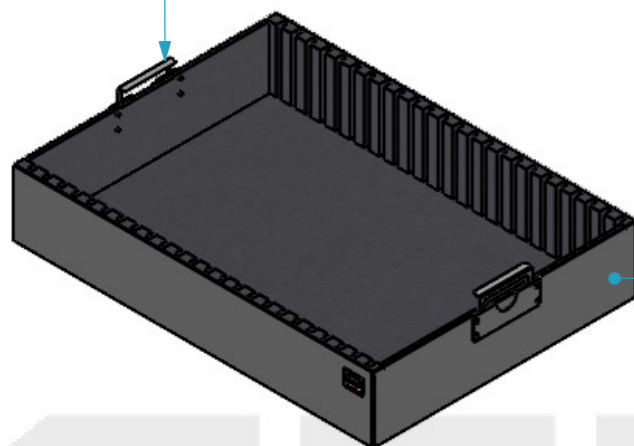


Dimensions

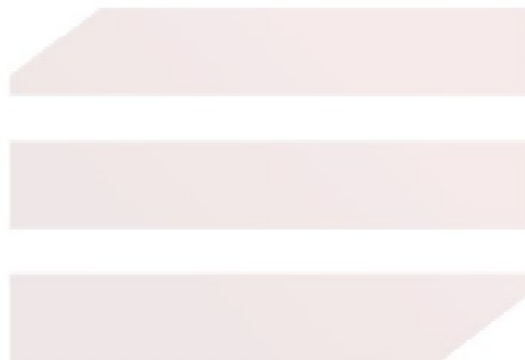
Width	Depth	Height
545	395	100
Weight	Approx. 1.83 Kg	



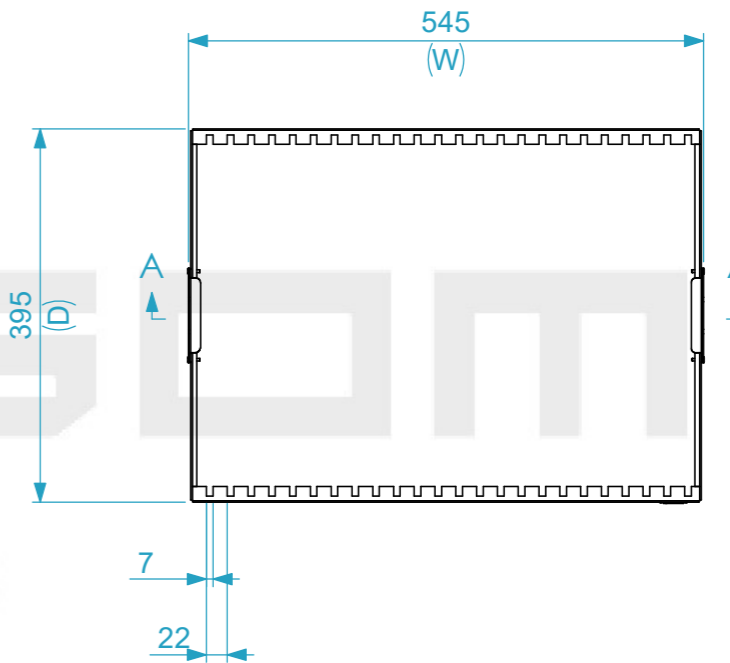
Sliding handle



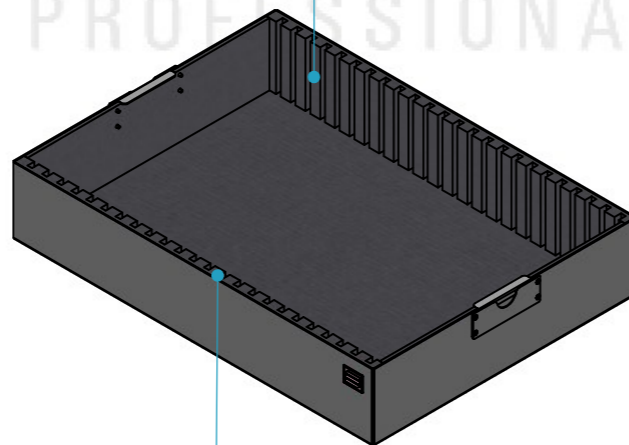
Aluminum tray



Grooved foam for wall dividers



High density foam for protection and packaging of electronic devices



General External Dimensions	
W	Width
D	Depth
H	Height
Usable Inner Dimensions	
Wi	Inside Width
Di	Inside Depth
Hi	Inside Height

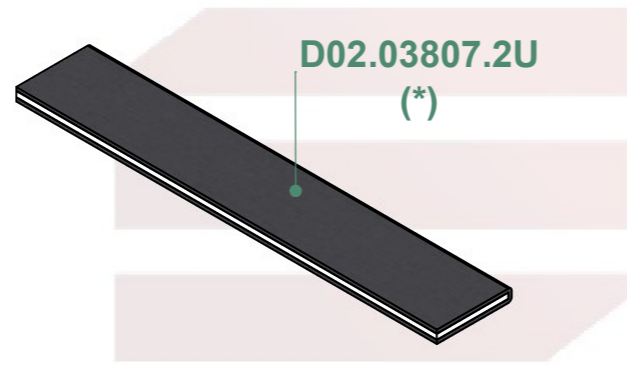
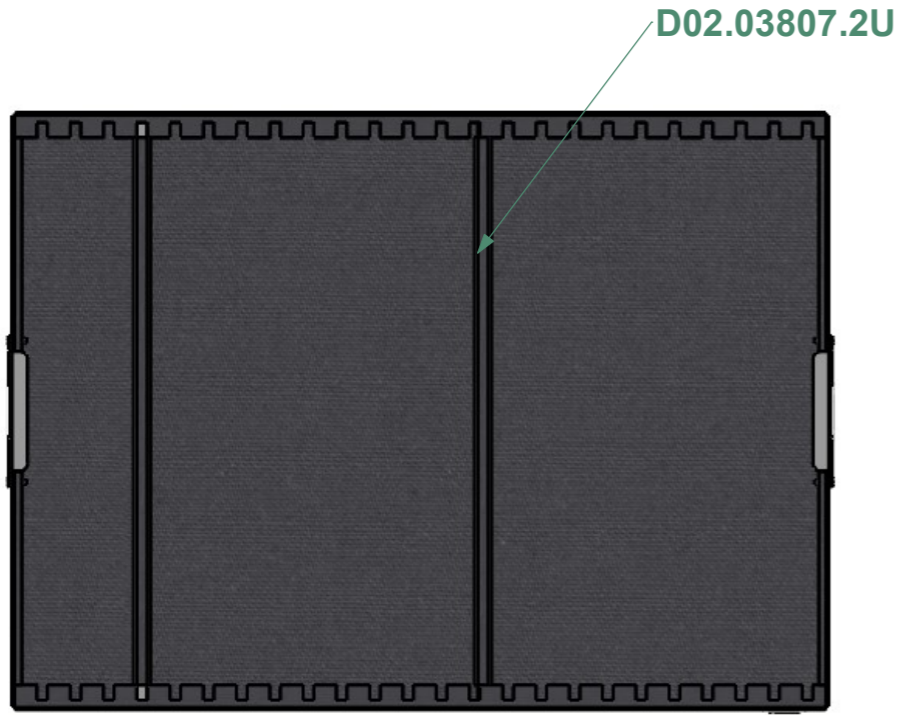
Drawn by	Name	Date
alvaro.santos	alvaro.santos	25/02/2026
Reference	TRAY1A.05439.2U	
Scale	units in mm	general tolerance
1:8	DO NOT SCALE	0.8mm
Tabuleiro Alumínio 2U, (545x395x100)		



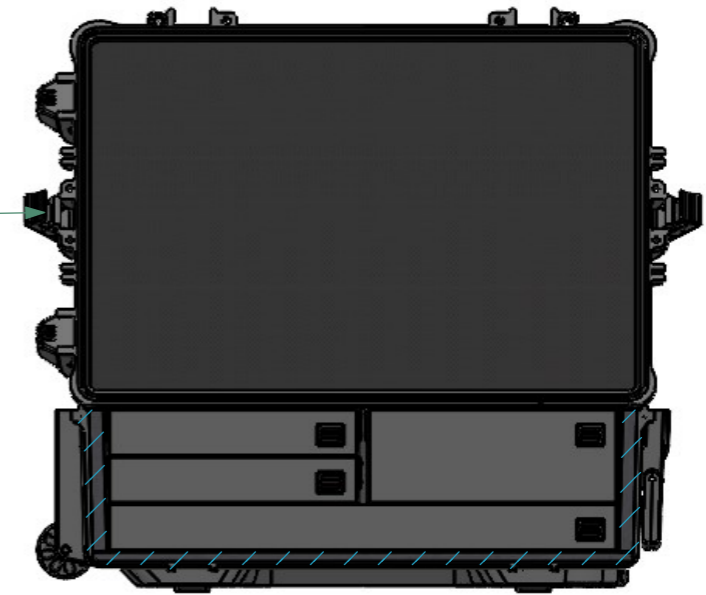
This drawing must not be copied or disclosed without consent of the owner



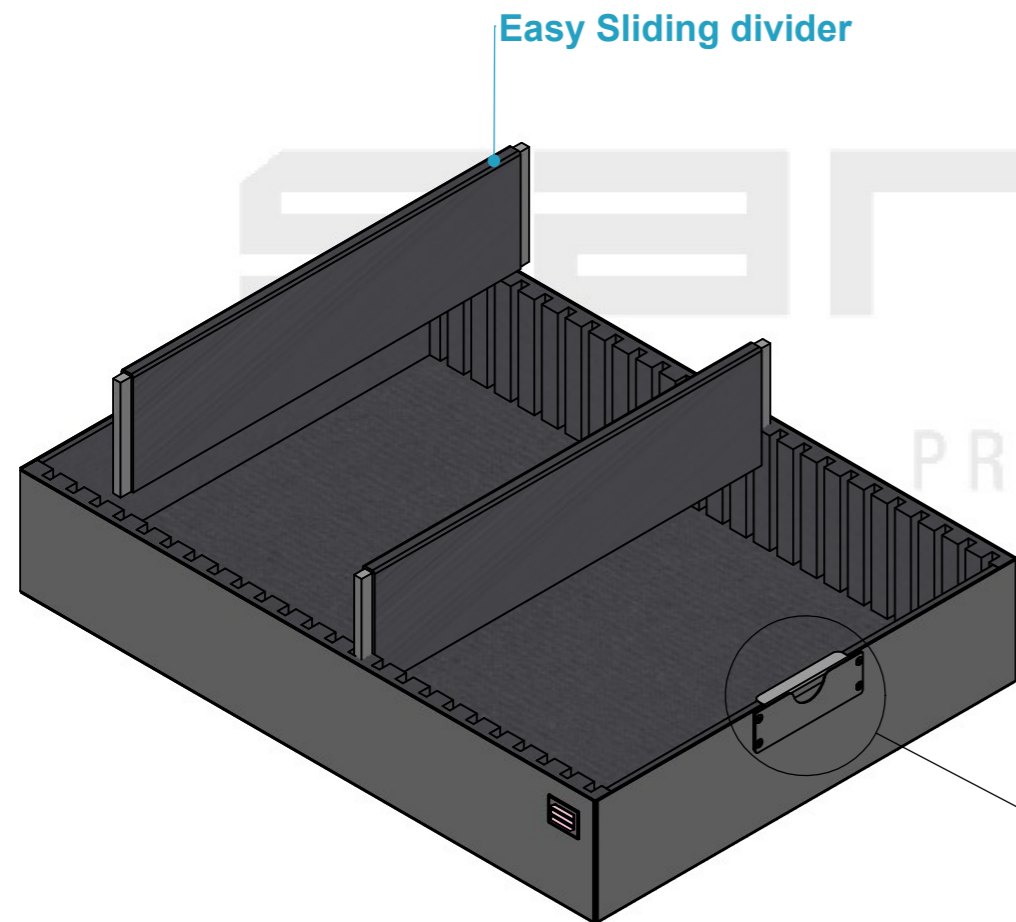
A3



PX2.05823
(*)



Multiple combinations possible

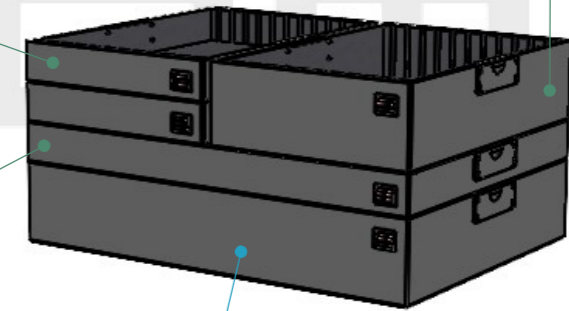


TRAY1A.02639.1U
(*)

TRAY1A.05439.1U
I (*)

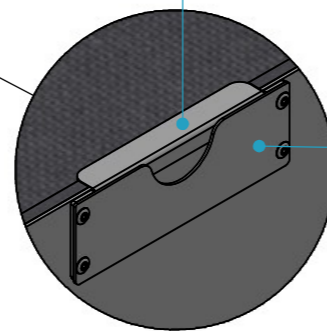
TRAY1A.05439.2U

TRAY1A.02639.2U
(*)



Sliding handle

Low profile



(*) Related optional items, not included

A3

This drawing must not be copied or disclosed without consent of the owner



Scale 1:5

units in mm
DO NOT SCALE
general tolerance 0.8mm

Tabuleiro Aluminio 2U,
(545x395x100)

Name Date
alvaro.santos 25/02/2026

Reference TRAY1A.05439.2U

