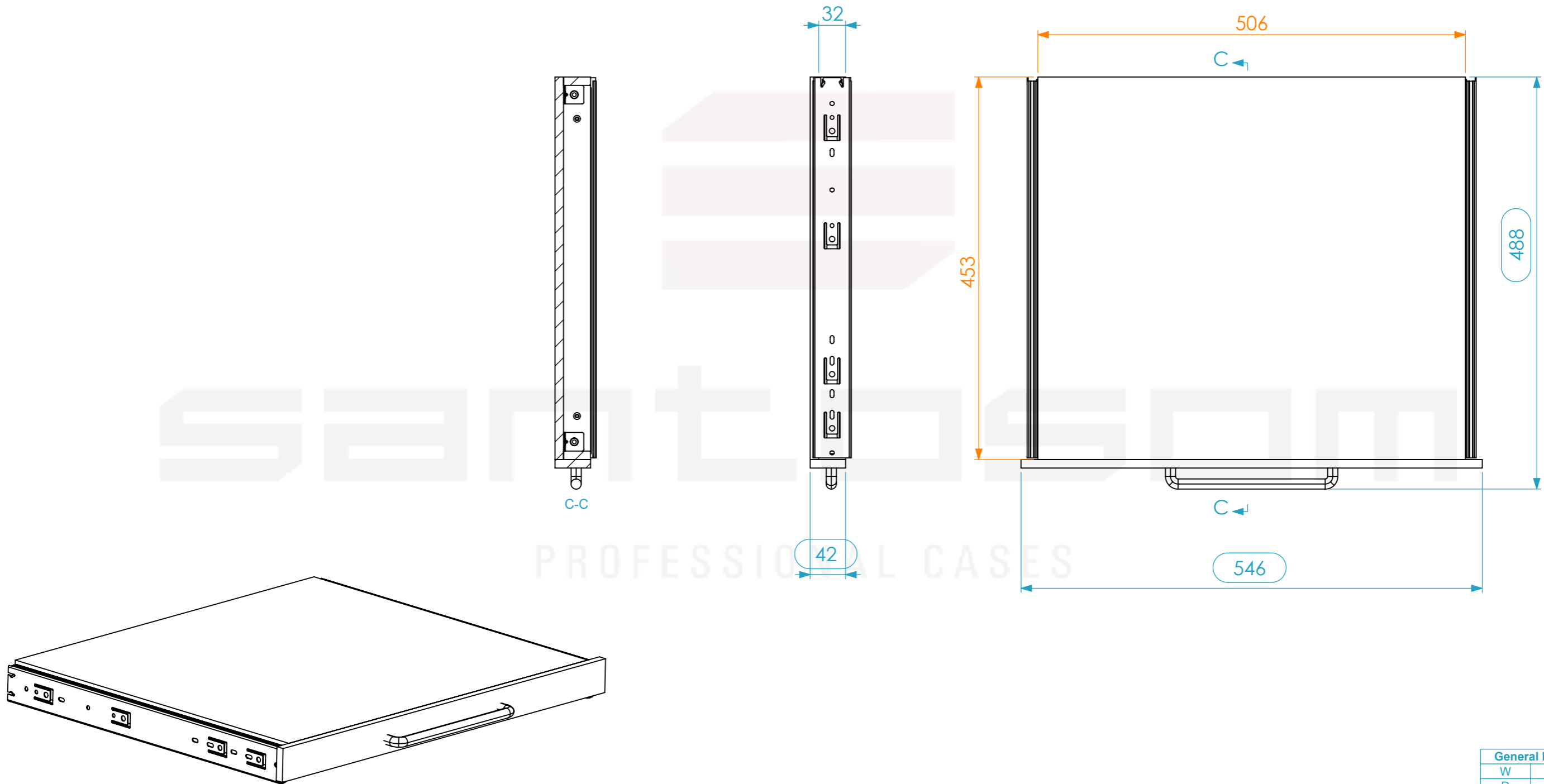


Internal Dimensions		
Width	Depth	Height
506	453	1U
Weight	Approx. Kg	
Wall Thickness		mm



General External Dimensions	
W	Width
D	Depth
H	Height
Usable Inner Dimensions	
Wi	Inside Width
Di	Inside Depth
Hi	Inside Height

Drawn by	Name	Date
jose.couto	jose.couto	27/04/2026
Reference	TRAY10.01U	
Scale	units in mm	general tolerance
1:5	DO NOT SCALE	0.8mm
TABULEIRO em PVC 1U para RC		



This drawing must not be copied or disclosed without consent of the owner



A3