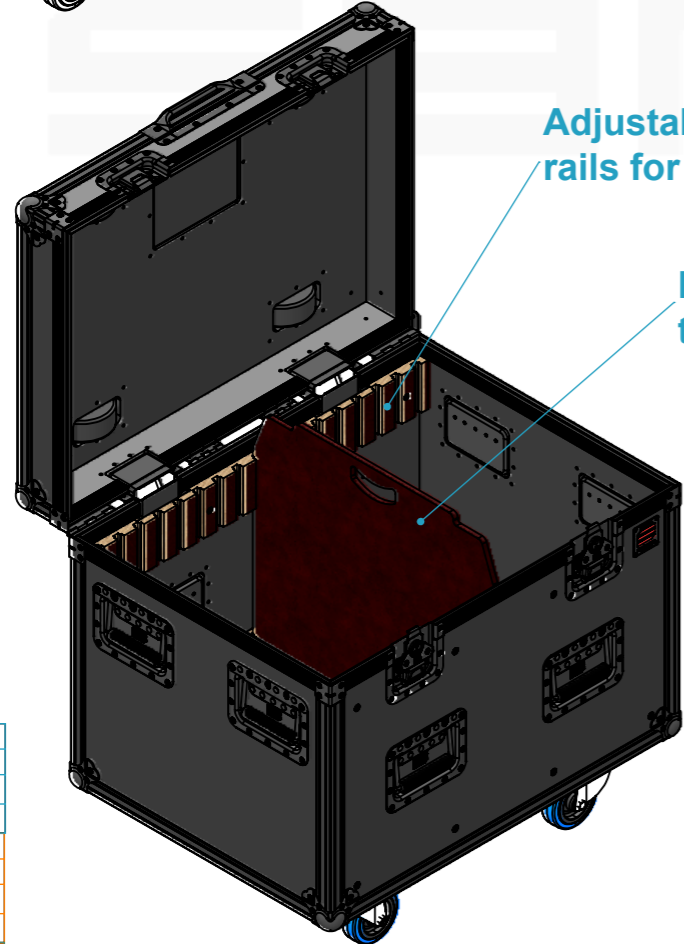
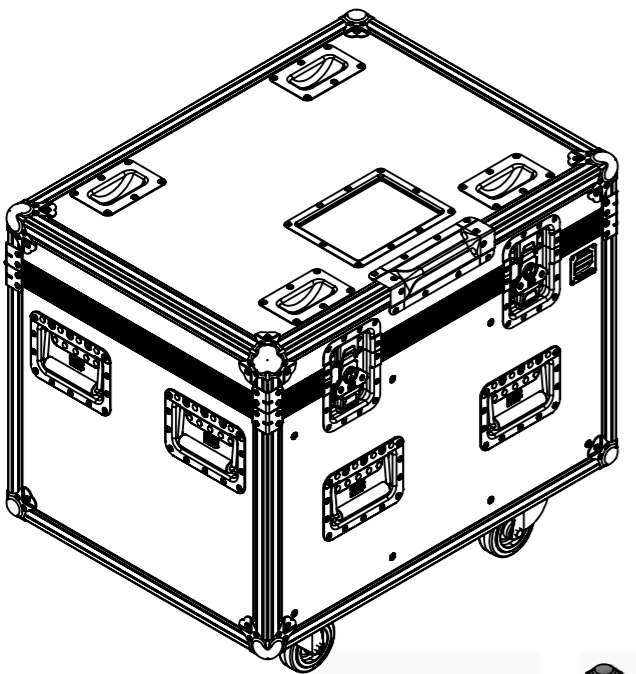
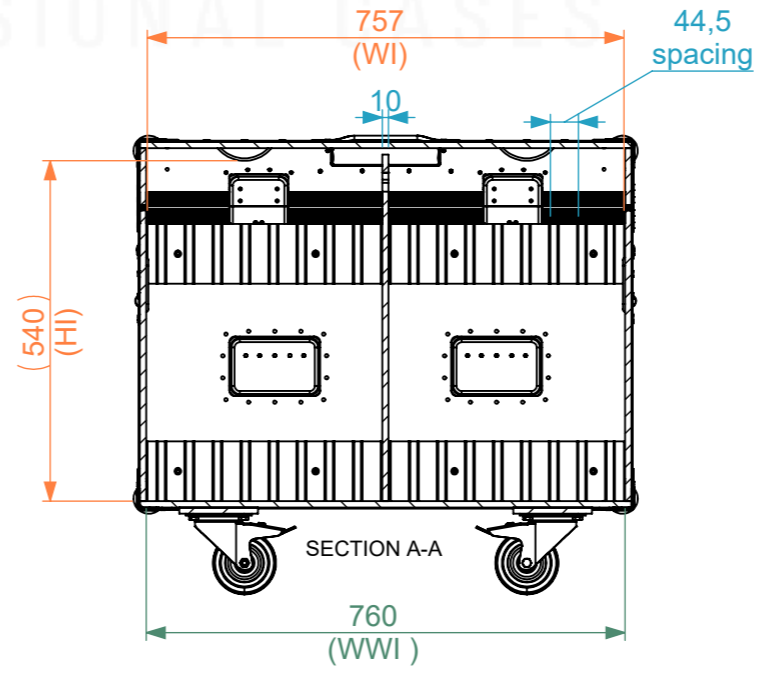
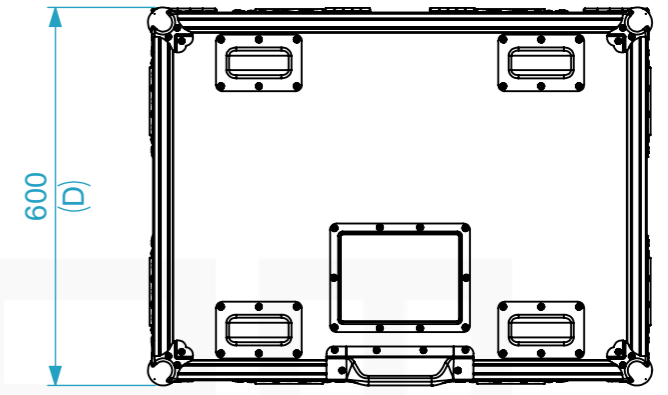
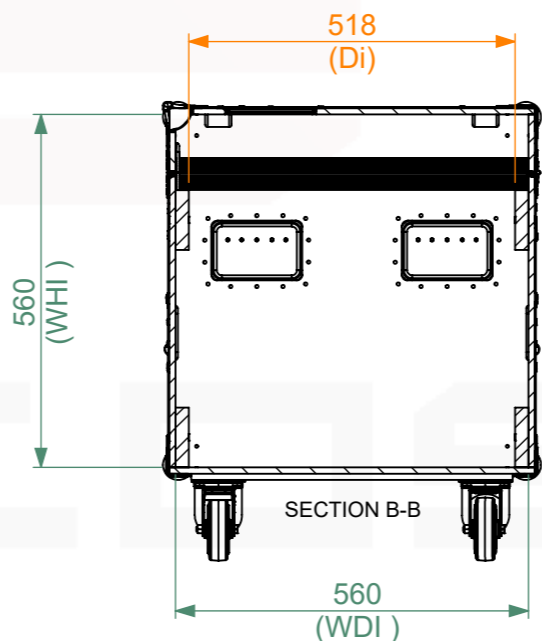
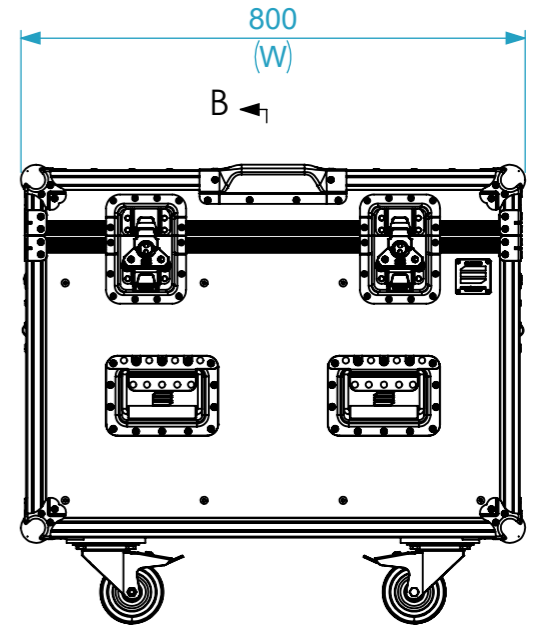
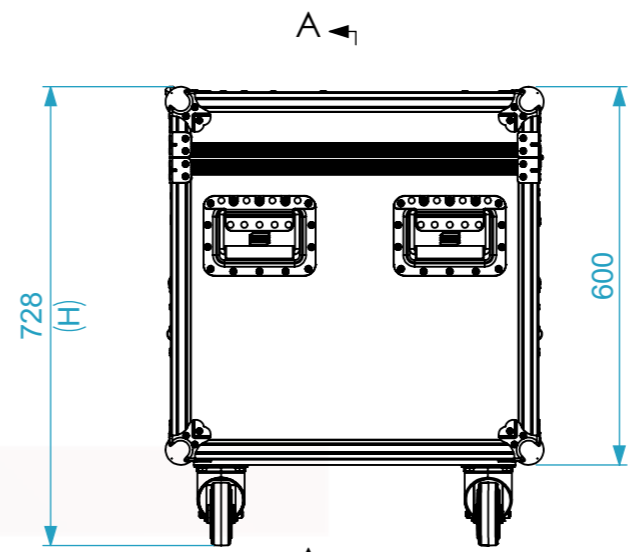


Internal Dimensions		
Width	Depth	Height
757	518	540
Weight	Approx. 45 Kg	
Wall Thickness	10mm	



Adjustable separation rails for trunk cases [R01]

Dividing wall for trunk [D01]



General External Dimensions	
W	Width
D	Depth
H	Height
Usable Inner Dimensions	
Wi	Inside Width
Di	Inside Depth
Hi	Inside Height
Wood Inner Dimensions	
WWi	Wood Inside Width
WDi	Wood Inside Depth
WHi	Wood Inside Height

Name	Date
Drawn by paula.almeida	06/12/2022
Reference	TOUR.80BK
Scale	1:12
units in mm	general tolerance 0.8mm
DO NOT SCALE	
Trunk PRO TOUR 80 BLACK (76x56x56 WID)	



This drawing must not be copied or disclosed without consent of the owner

1st Angle projection

A3