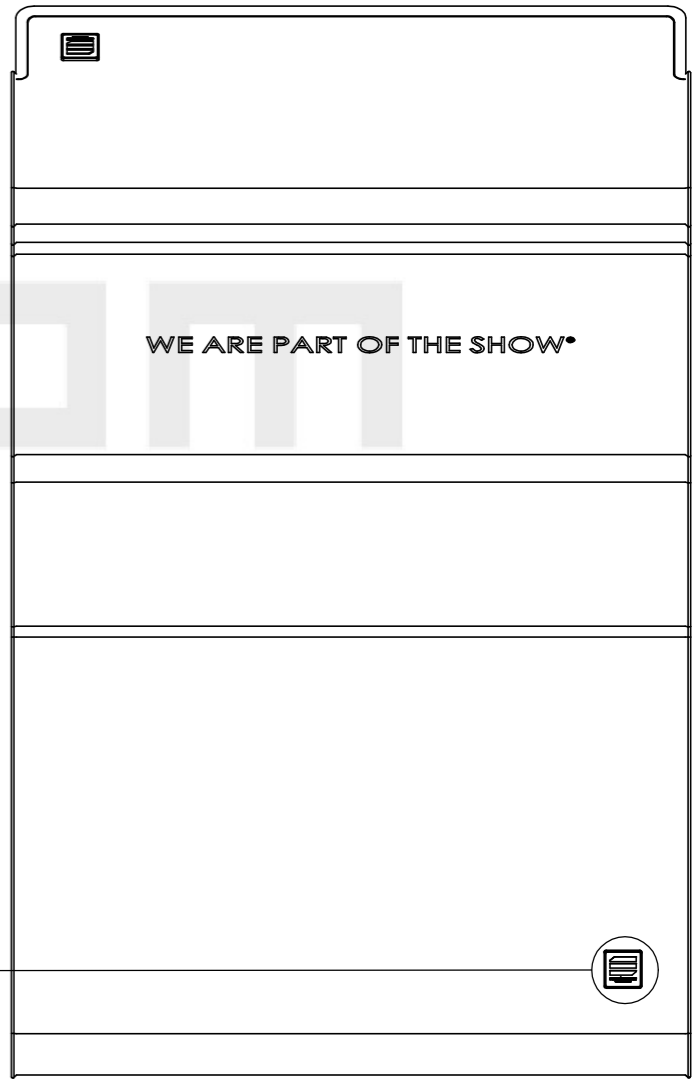
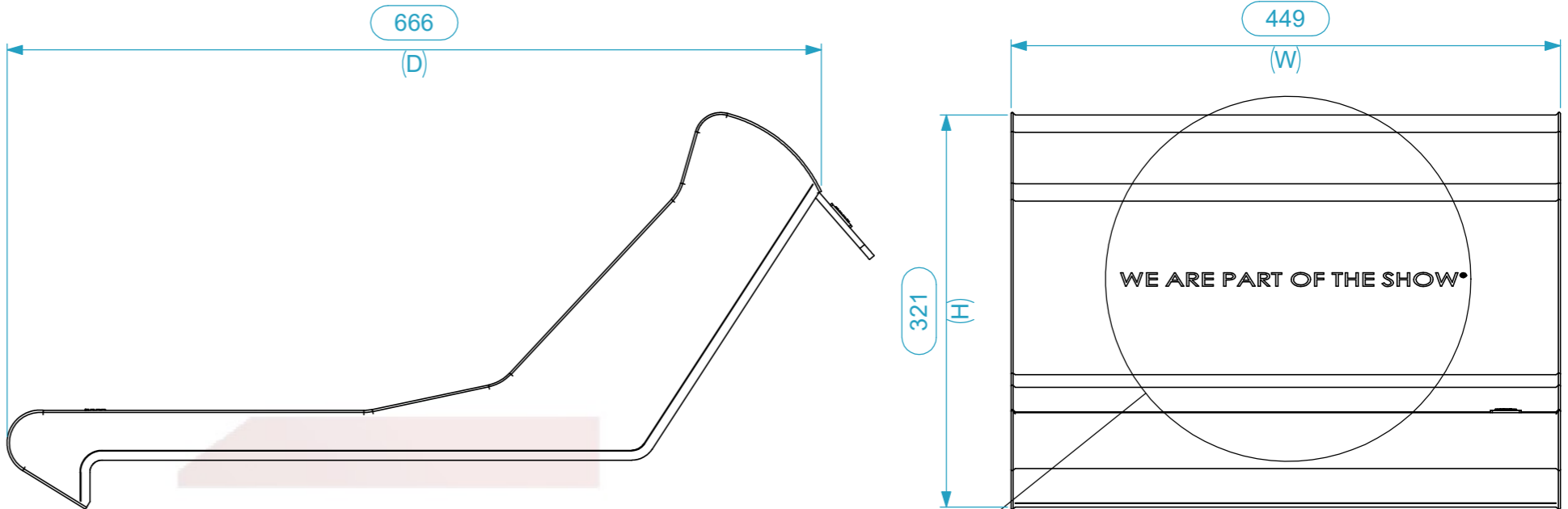


Equipment			A&H Dlive CTi1500		
Width	Depth	Height			
440	644	337			
Weight	Approx. 11.5 Kg				
Dimensions					
Width	Depth	Height			
449	666	321			
Weight	Approx. 0.4 Kg				
Wall Thickness					5 mm



General External Dimensions	
W	Width
D	Depth
H	Height

This drawing must not be copied or disclosed without consent of the owner



Scale 1:5  
units in mm  
DO NOT SCALE  
general tolerance 0.8mm

Name	Date
catarina.silva	07/11/2025
Reference	TCOV.ALHCTI1500



A3

PRO Thermal Console Cover for A&H Dlive CTi1500