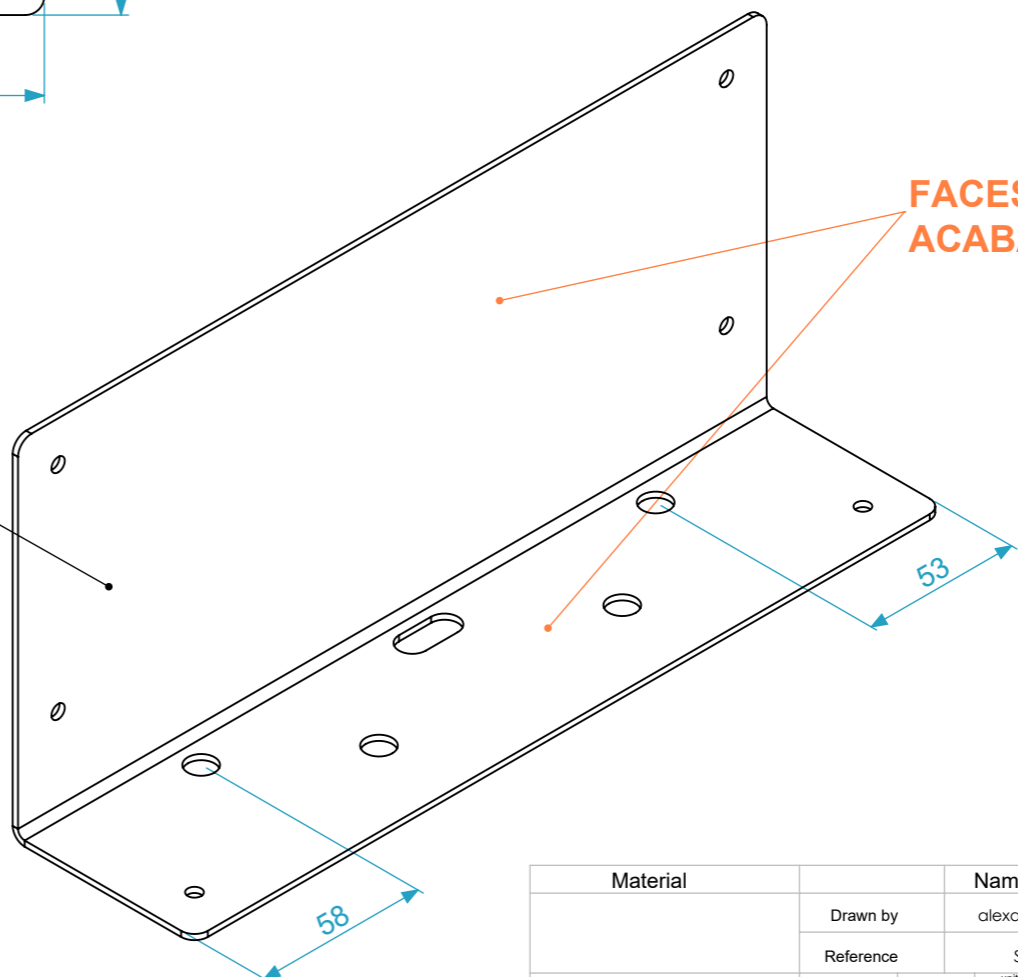


Material: Chapa Inox AISI 304
 Espessura: 2
 Planificado: 280 x 195
 Furos: 11
 Quinagens: 1
 Peso: 0.86 kg

REFORÇO P/
 PORTA DE
 FLIGHT CASE



Material	Name	Date
Drawn by	alexandre	27/07/2020
Reference	SUPORTE.1038	
This drawing must not be copied or disclosed without consent of the owner	Scale	units in mm
	1:2	DO NOT SCALE
1st Angle projection	general tolerance	0.8mm
Reforço p/ porta de flight case		

