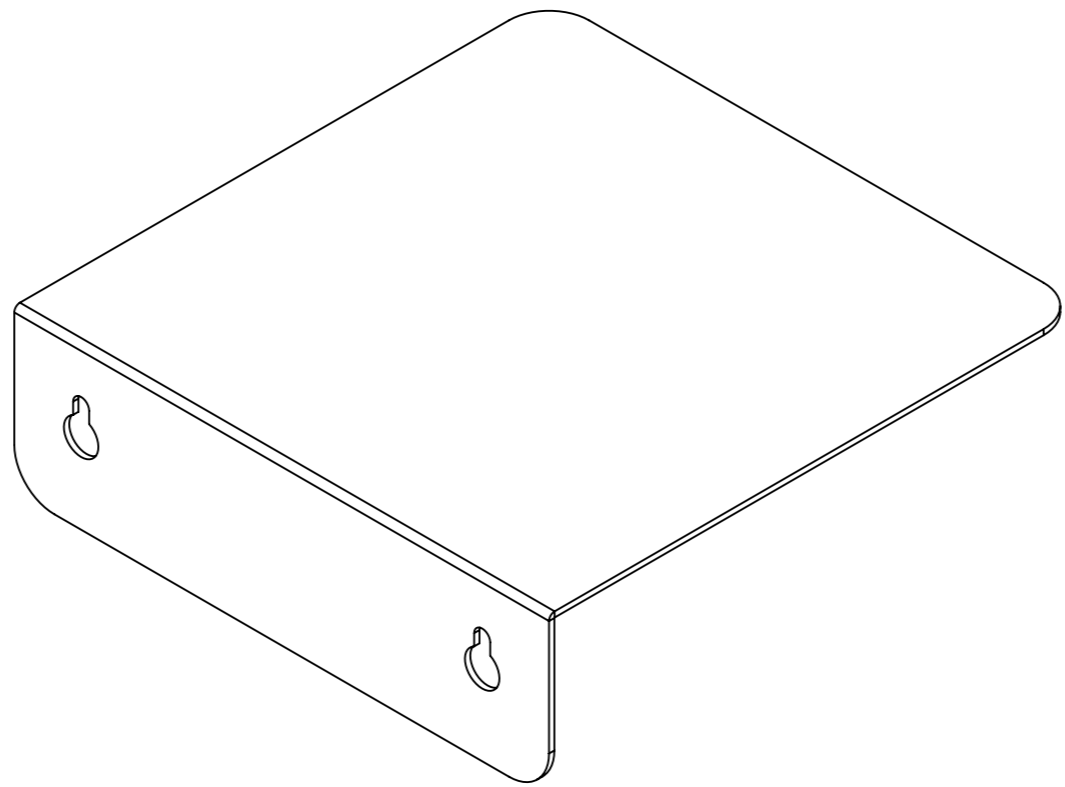
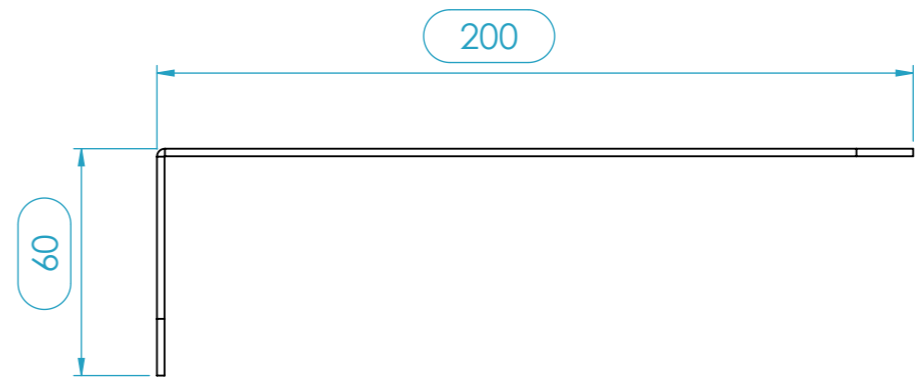
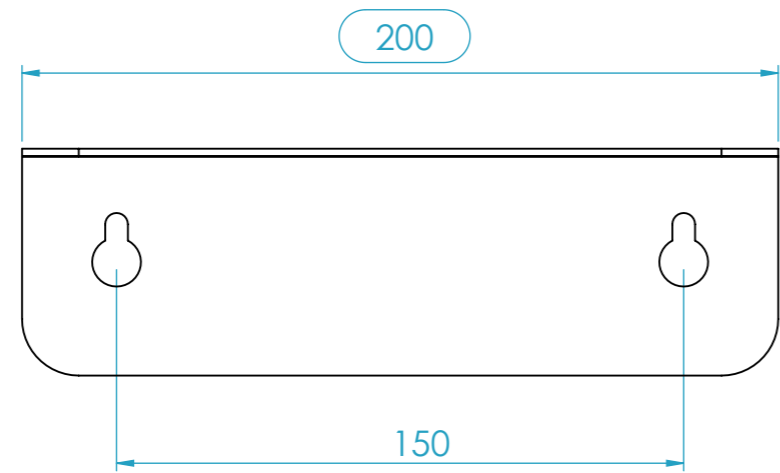


Weight	Approx. 0.82 Kg
Wall Thickness	2mm



Material	Drawn by	Name	Date
	alexandre	alexandre	06-06-2018
	Reference	SUPORTE.1031.CQ	
This drawing must not be copied or disclosed without consent of the owner	1st Angle projection	Scale	units in mm
		1:2	DO NOT SCALE
		general tolerance	0.8mm
		CORTE E QUINAGEM, SUPORTE PARA RATO	

