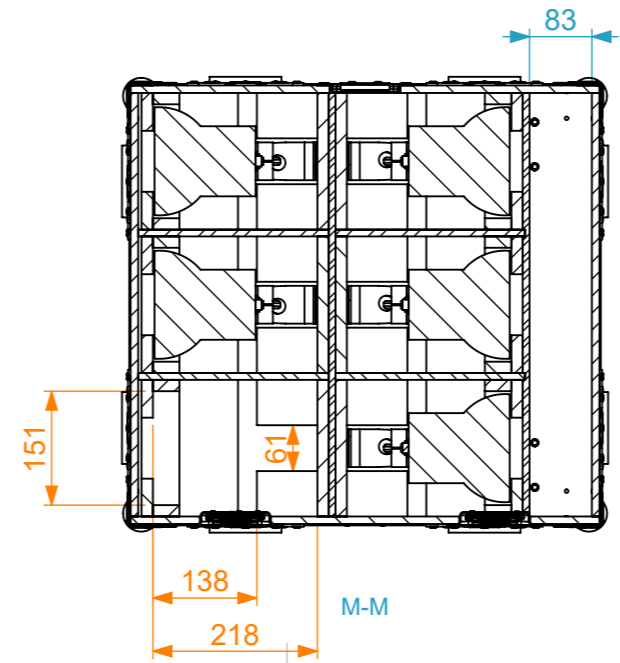
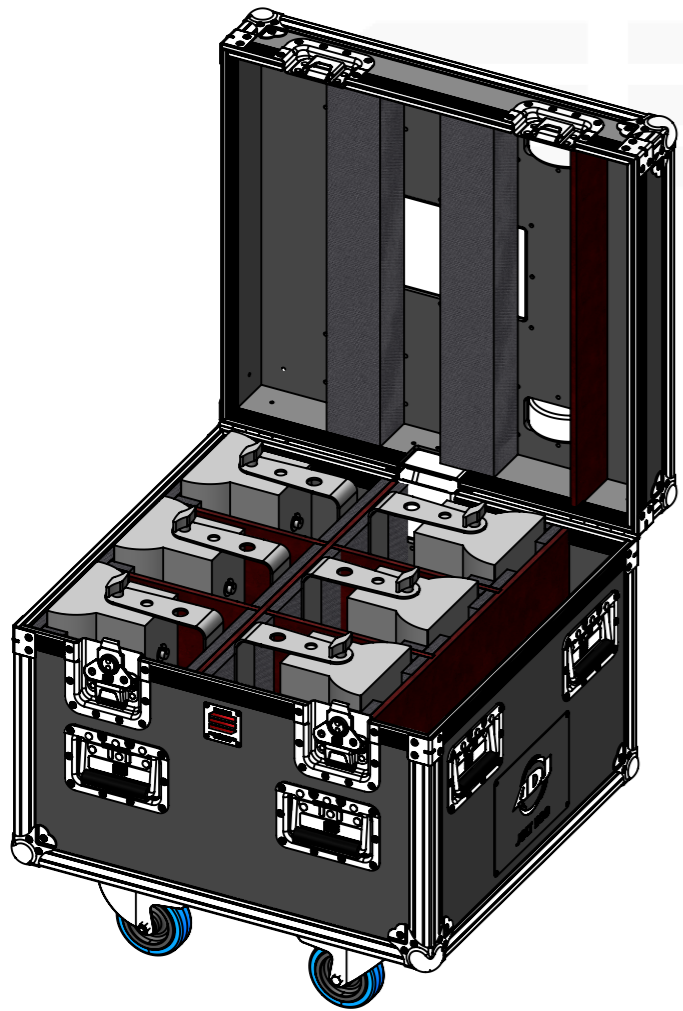
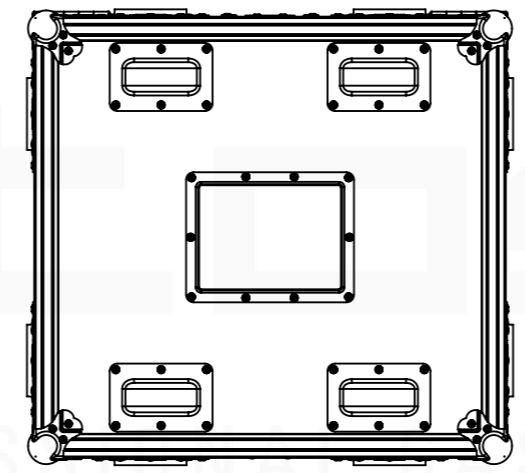
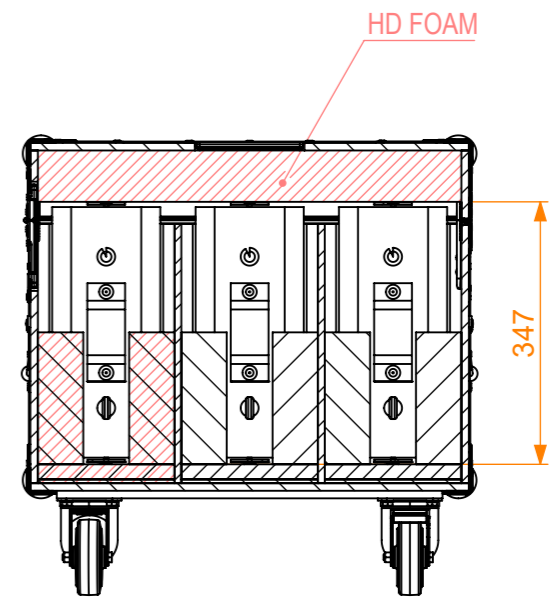
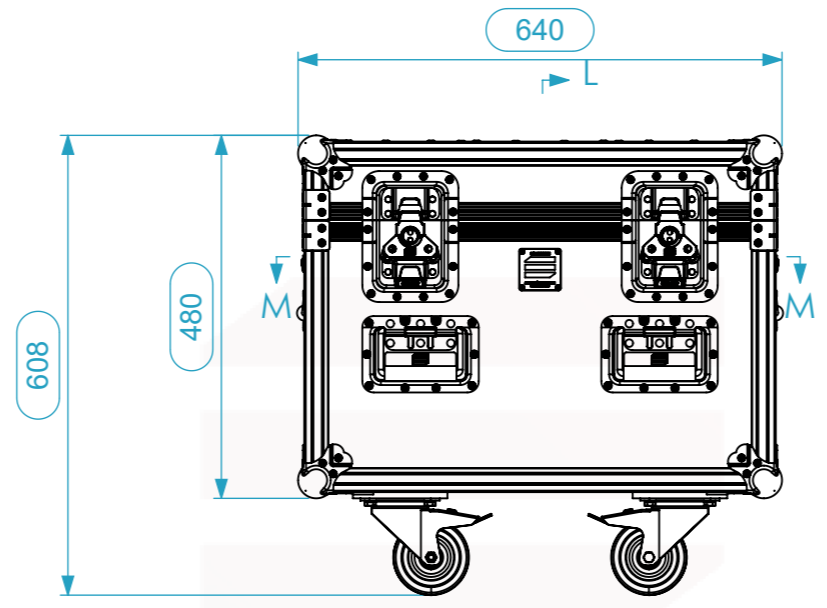
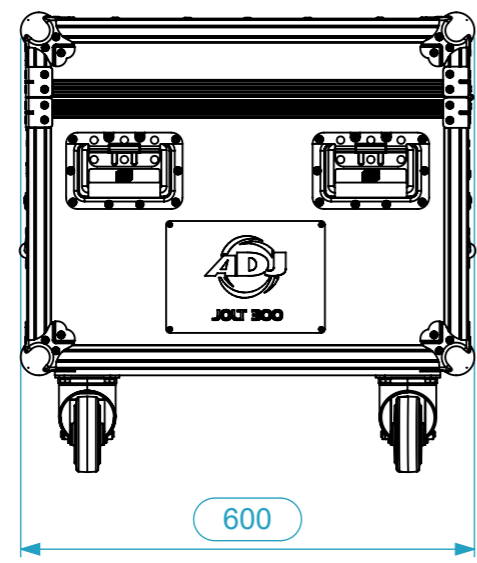


Equipment			ADJ JOLT 300		
Width	Depth	Height			
389	213	143			
Internal Dimensions					
Width	Depth	Height			
212	150	347			
Weight	Approx. 31.76 Kg				
Wall Thickness	10mm				

General External Dimensions		Usable Inner Dimensions	
W	Width	Wi	Inside Width
D	Depth	Di	Inside Depth
H	Height	Hi	Inside Height



**EQUIPMENT DIMENSIONS**

WEIGHT.: 4.75 Kg

Name	Date	
Drawn by	CarlaSilva	07/10/2020
Reference	STROB.112	
Scale	1:10	units in mm
	DO NOT SCALE	general tolerance 0.8mm
Flight case, 6x ADJ JOLT 300		



This drawing must not be copied or disclosed without consent of the owner



A3