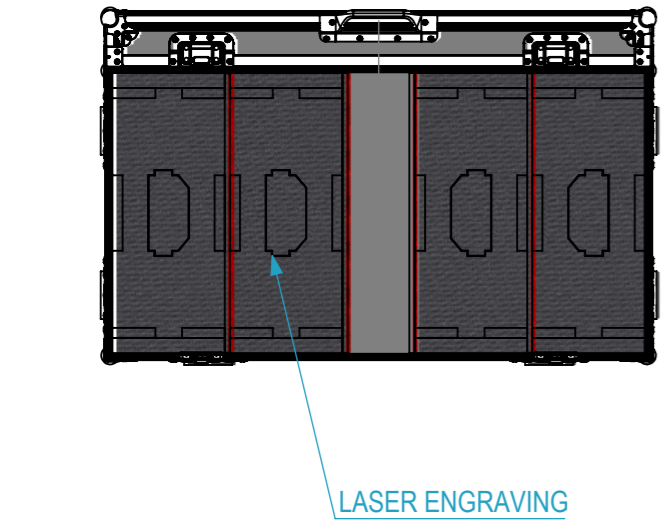
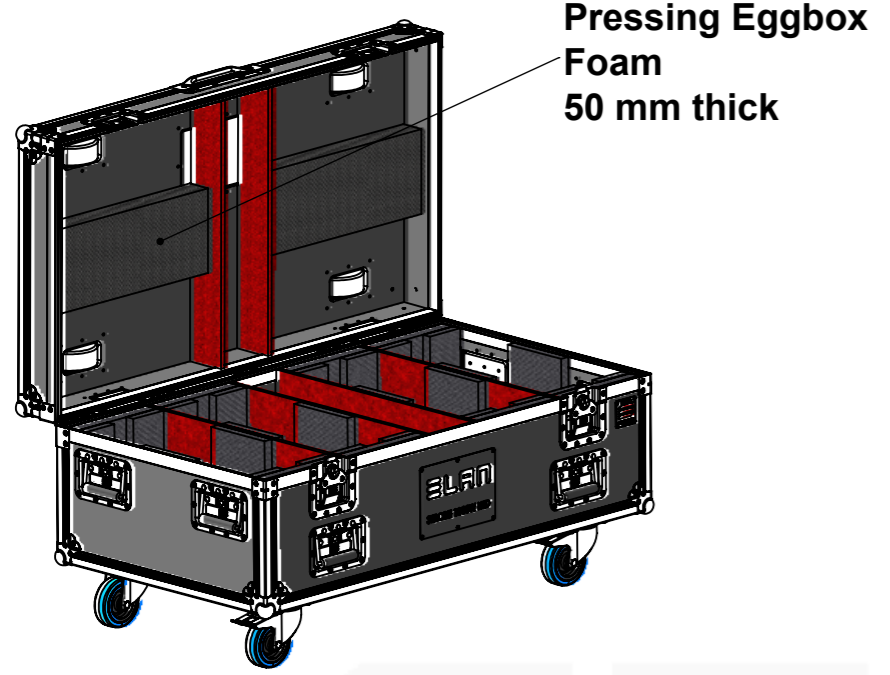
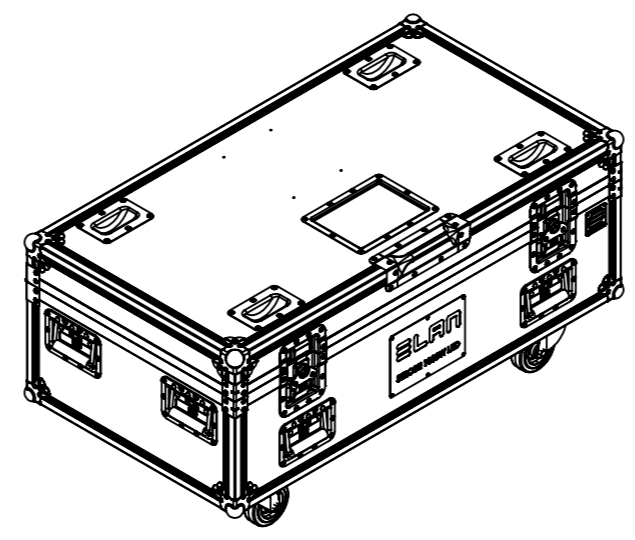
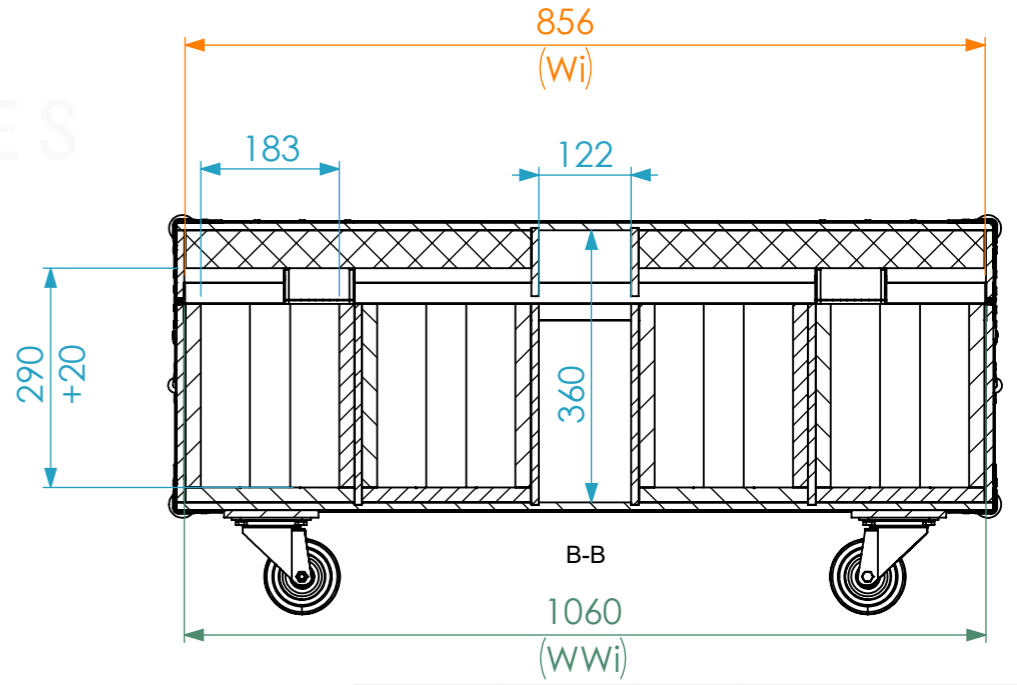
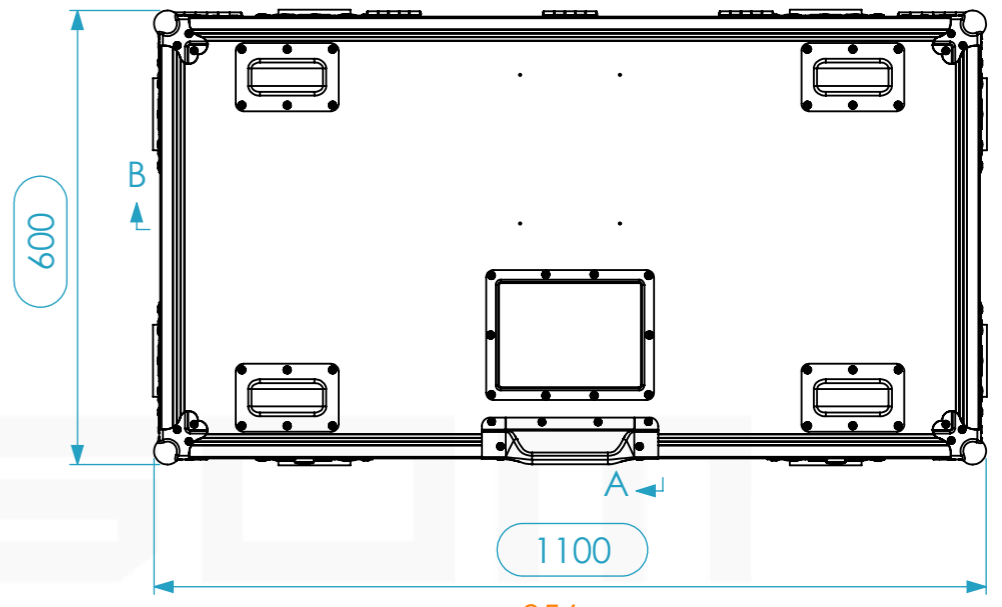
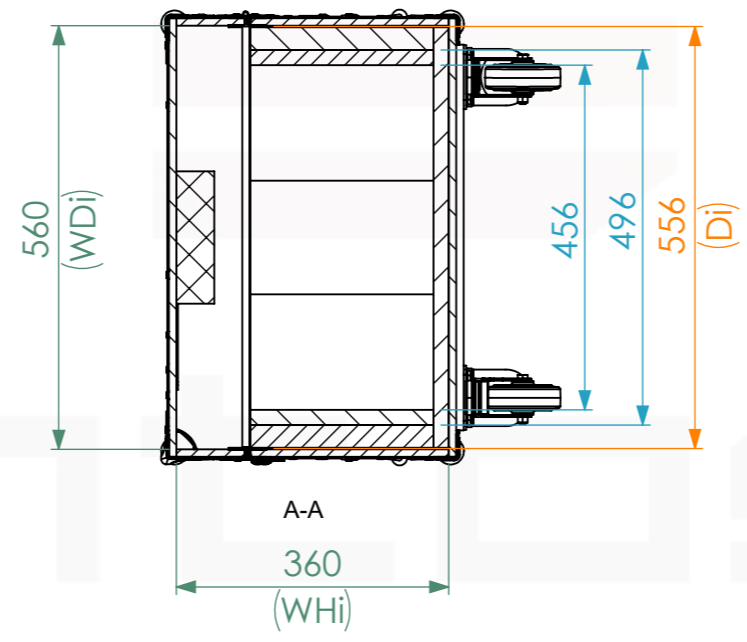
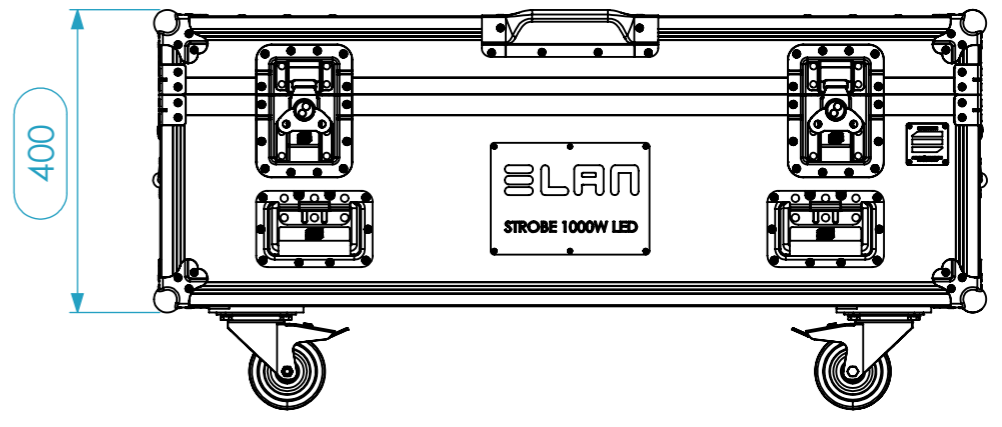
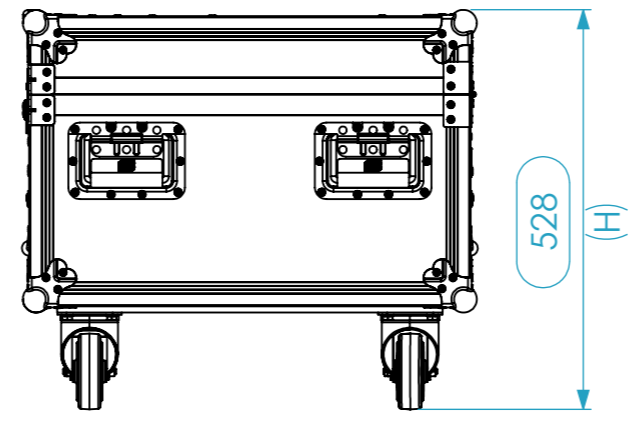


Equipment	ELAN STROBE 1000W LED	
Width	Depth	Height
490	160/220	315/295
Internal Dimensions		
Width	Depth	Height
224	556	360
Weight	Approx. 38.74 Kg	
Wall Thickness	10mm	



LASER ENGRAVING



General External Dimensions		Usable Inner Dimensions (UiD)		Wood Inner Dimensions (WiD)	
W	Width	Wi	Inside Width	WWi	Wood Inside Width
D	Depth	Di	Inside Depth	WDi	Wood Inside Depth
H	Height	Hi	Inside Height	WHi	Wood Inside Height

This drawing must not be copied or disclosed without consent of the owner

Drawn by	Name	Date
CarlaSilva	CarlaSilva	28/03/2023
Reference	STROB.110	
Scale	units in mm	general tolerance
1:10	DO NOT SCALE	0.8mm
FC PRO		
4x ELAN STROBE 1000W LED		

