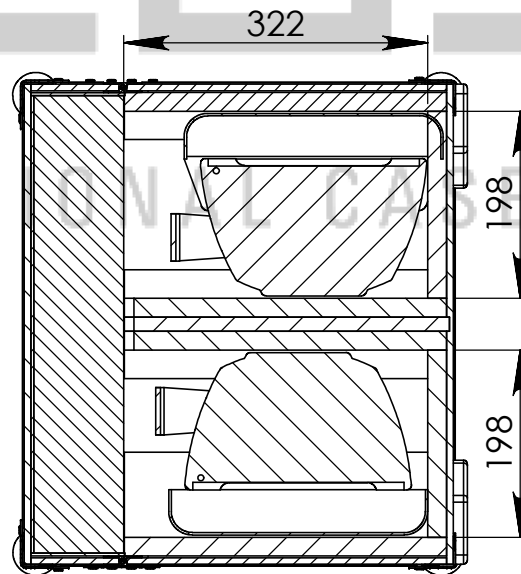
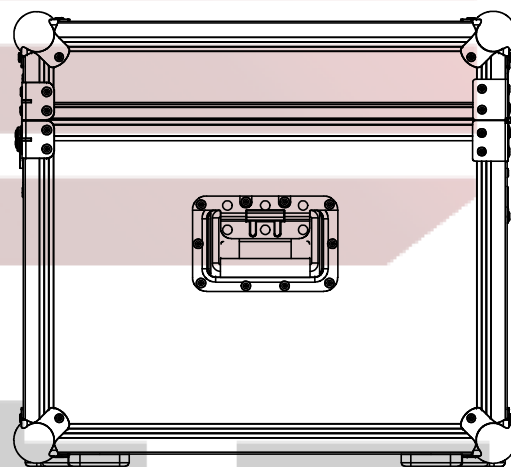
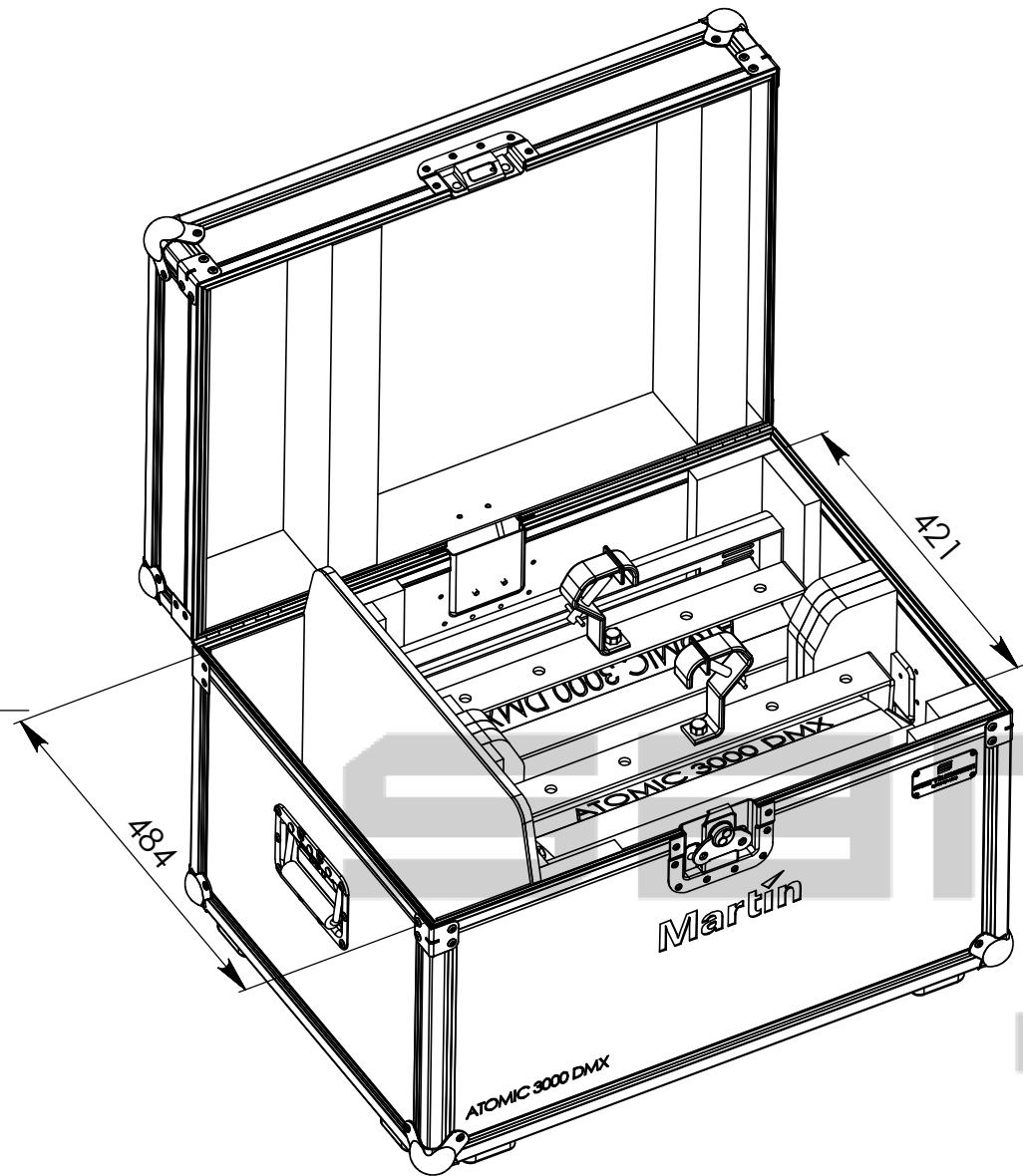
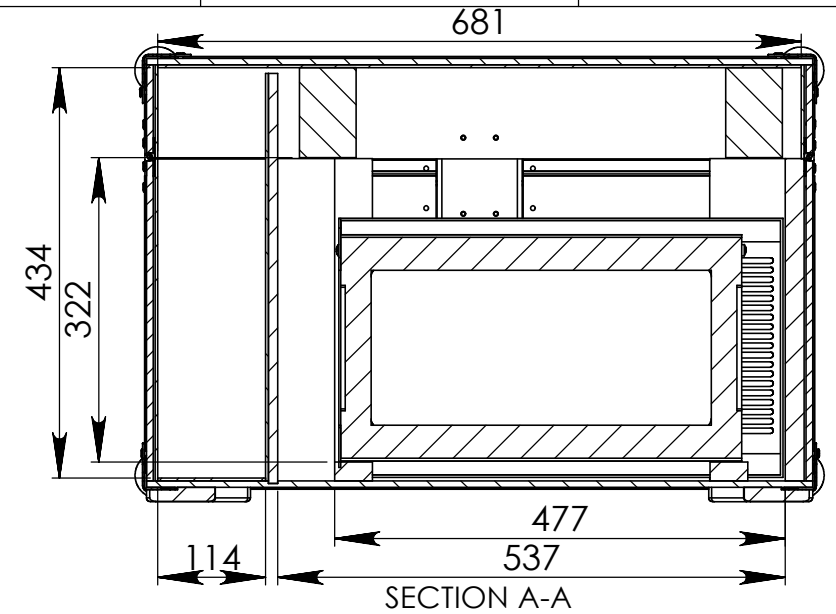


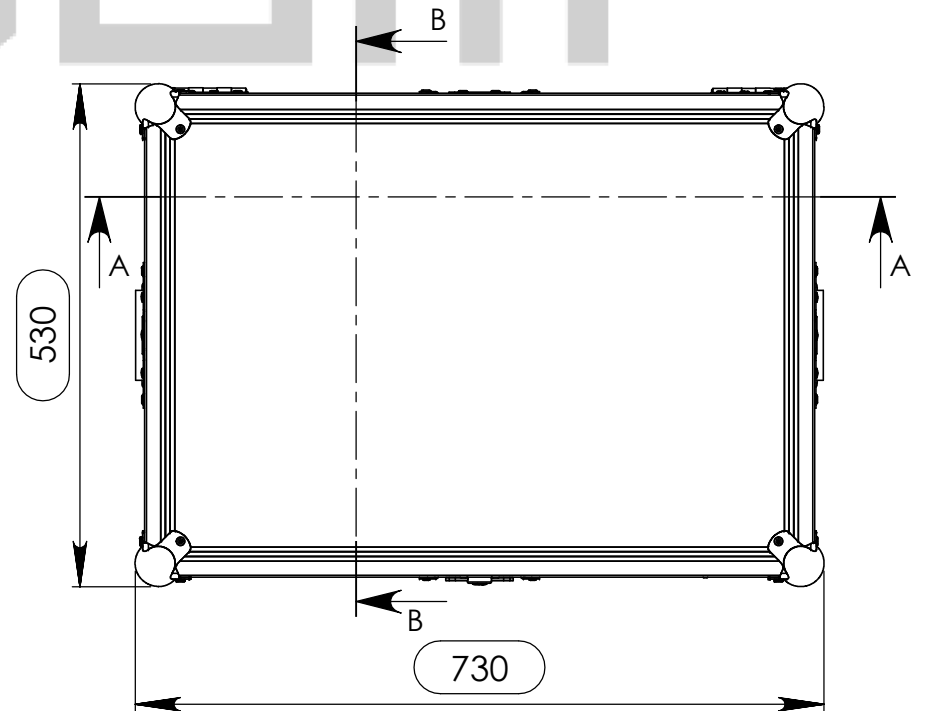
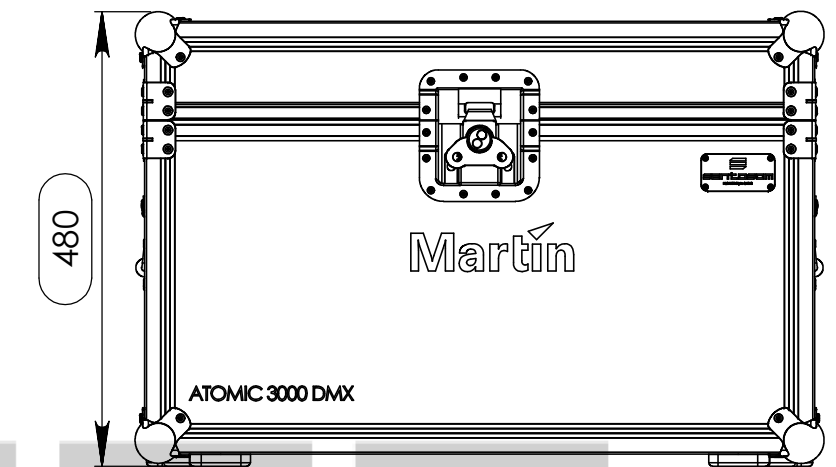
Interior dimensions		
Width	Depth	Height
681	421	322
Weight	Approx. 17 Kg	
Wall Thickness	7mm	



SECTION B-B



SECTION A-A



Hardware	
Qty	Description
8	Medium ball corner zinc plated
4	Large corner bracket f. 35mm case angle
1	Large lidstay cranked / hinge
2	Recessed sprung handle medium model
1	Large butterfly V3 with 'push-back' function in 14mm dish
2	110MM hinge shot

Drawn by	Name	Date
DanielLopes	DanielLopes	09-07-2012
Reference	STROB.105	
Scale	units in mm	general tolerance
1:8	DO NOT SCALE	0.8mm
1st Angle projection		

This drawing must not be copied or disclosed without consent of the owner

Scale 1:8
units in mm
DO NOT SCALE
general tolerance 0.8mm
1st Angle projection

