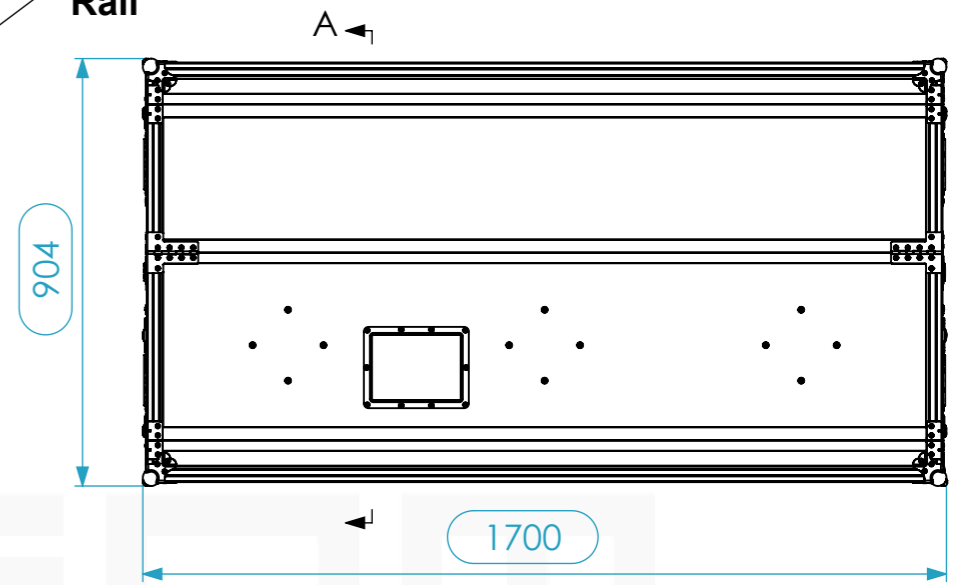
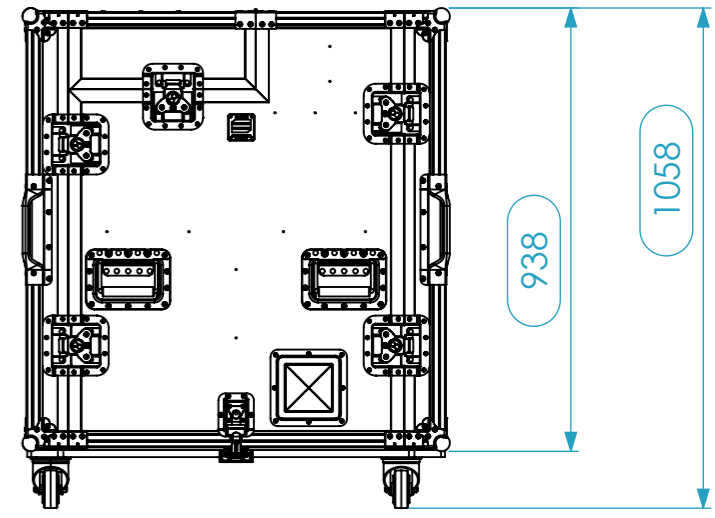
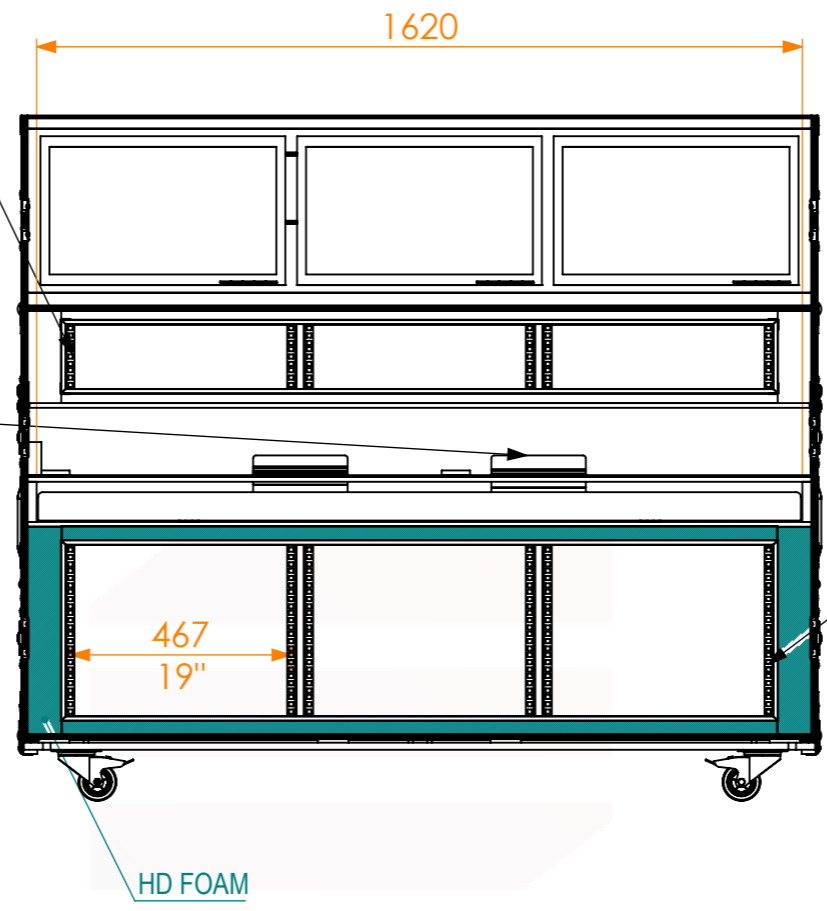
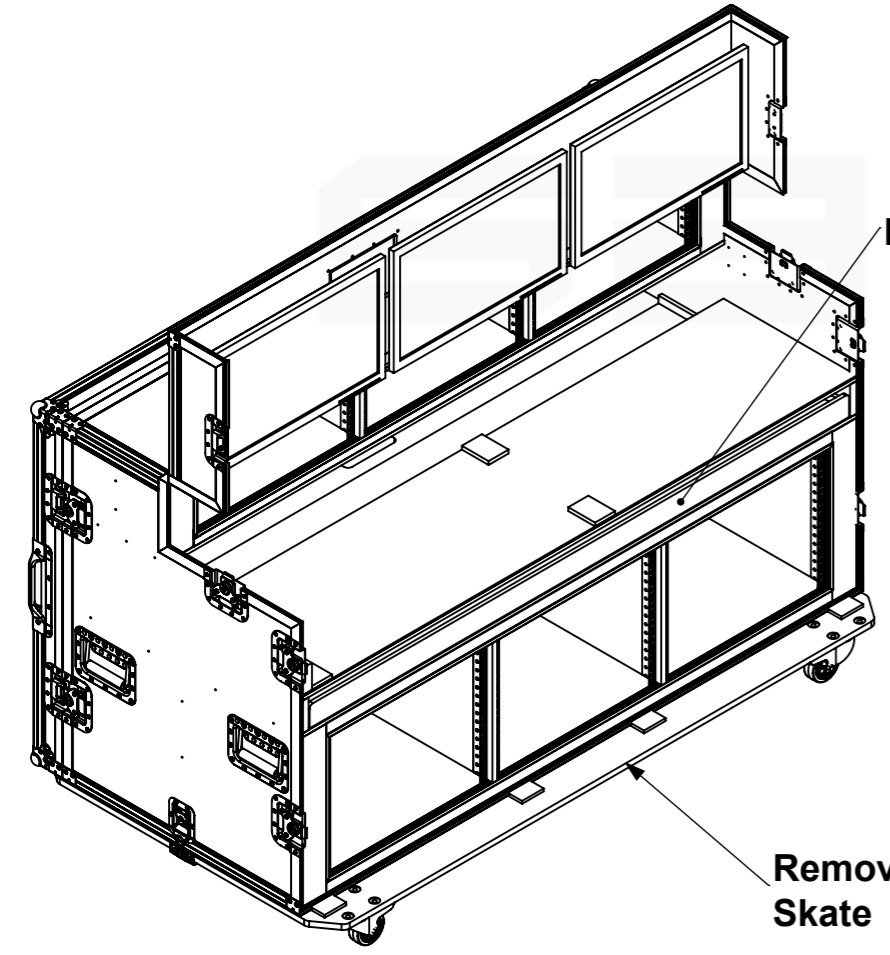


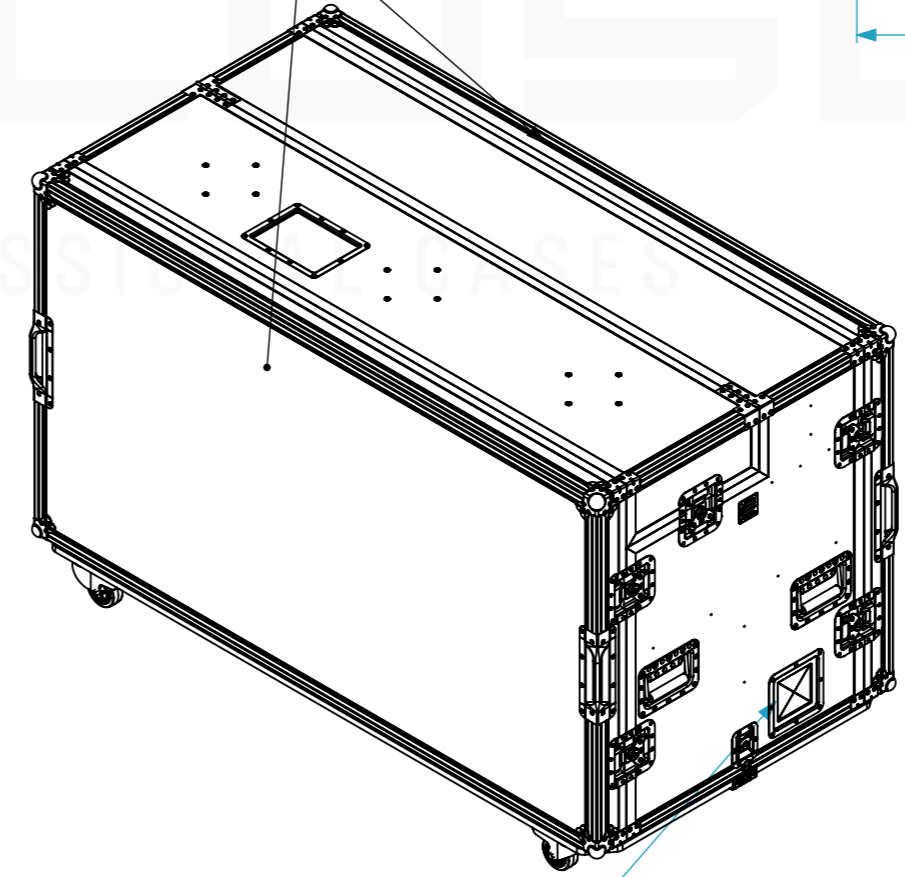
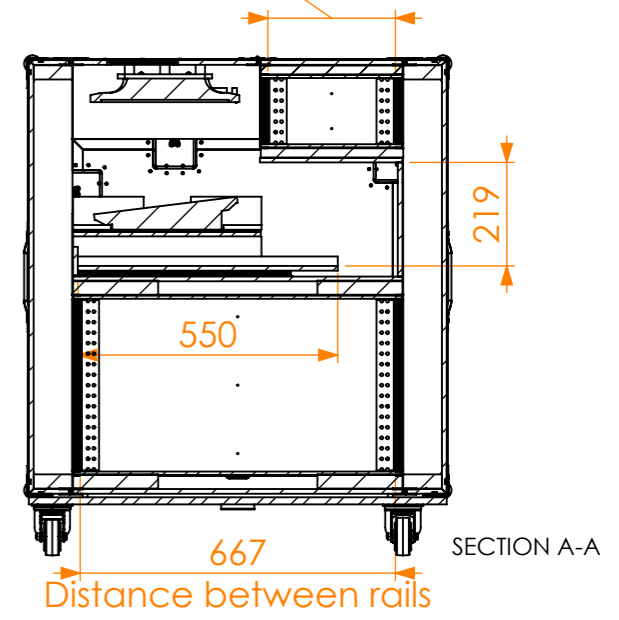
Internal Dimensions		
Width	Depth	Height
3 x 19"	270 / 667	3 UN / 8 UN
Weight	Approx. 154 Kg	
Wall Thickness	10mm	



Lids with Telescopic Table Legs inside to allow using as a desk



270
Distance between rails



Name	Date
CarlaSilva	06/07/2020
Reference	STAT3.ATEM
Scale	1:16
units in mm	general tolerance 0.8mm
DO NOT SCALE	FC.



This drawing must not be copied or disclosed without consent of the owner

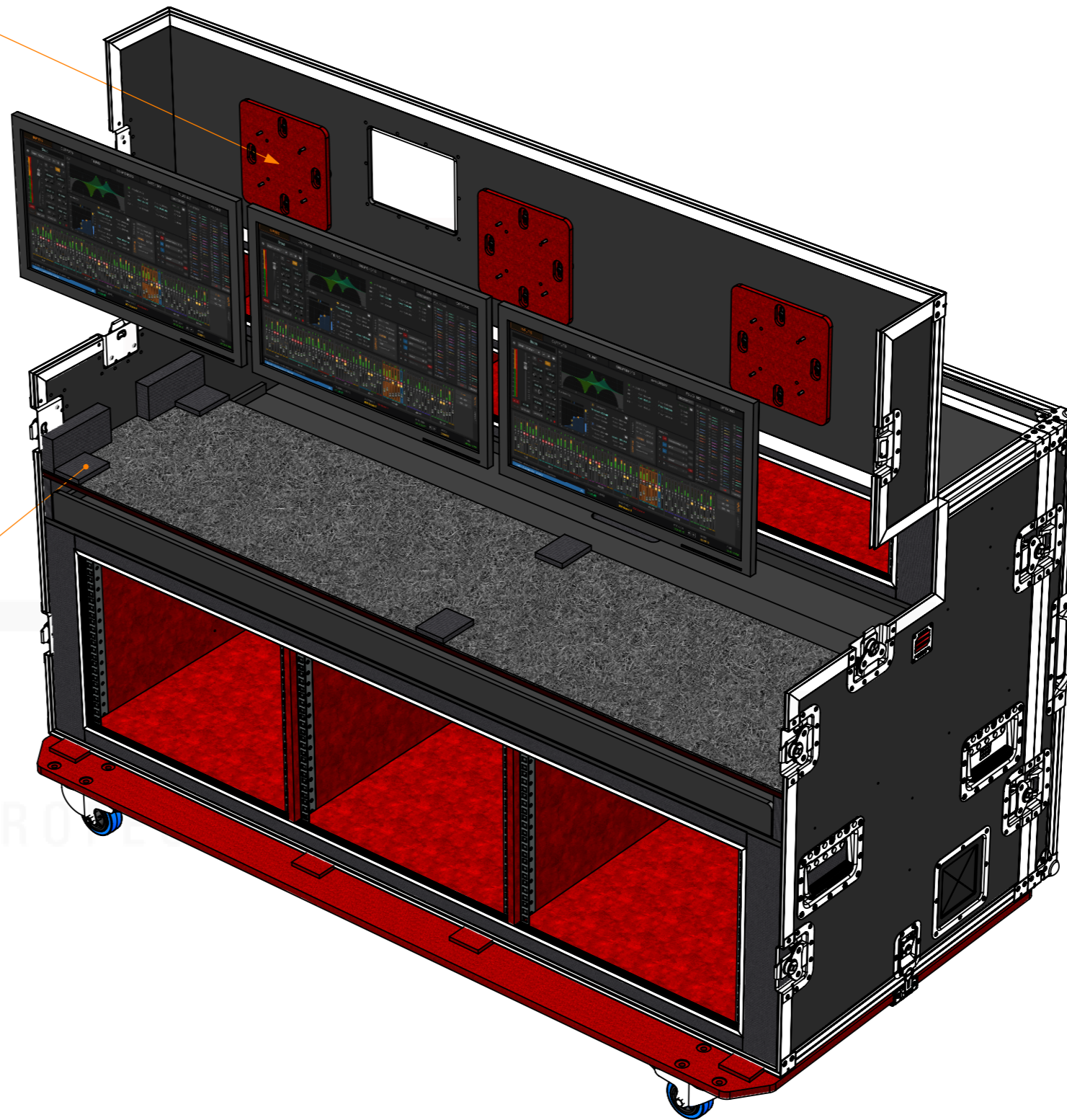


A3

VESA SUPPORT

HD FOAM TO CONTROLLER

VELCRO STRIPS TO ADJUST THE CONTROLLER



STAT3.ATEM
PROFESSIONAL CASES

Drawn by	Name	Date
CarlaSilva	CarlaSilva	06/07/2020
Reference	STAT3.ATEM	
Scale	units in mm	general tolerance
1:8	DO NOT SCALE	0.8mm
FC.	FC.	

This drawing must not be copied or disclosed without consent of the owner



A3

