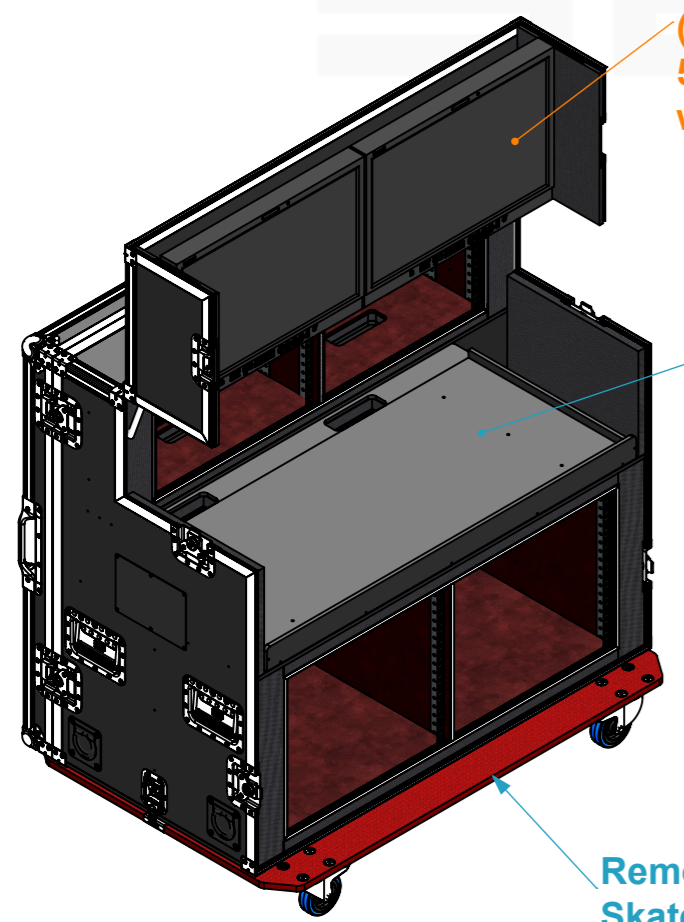
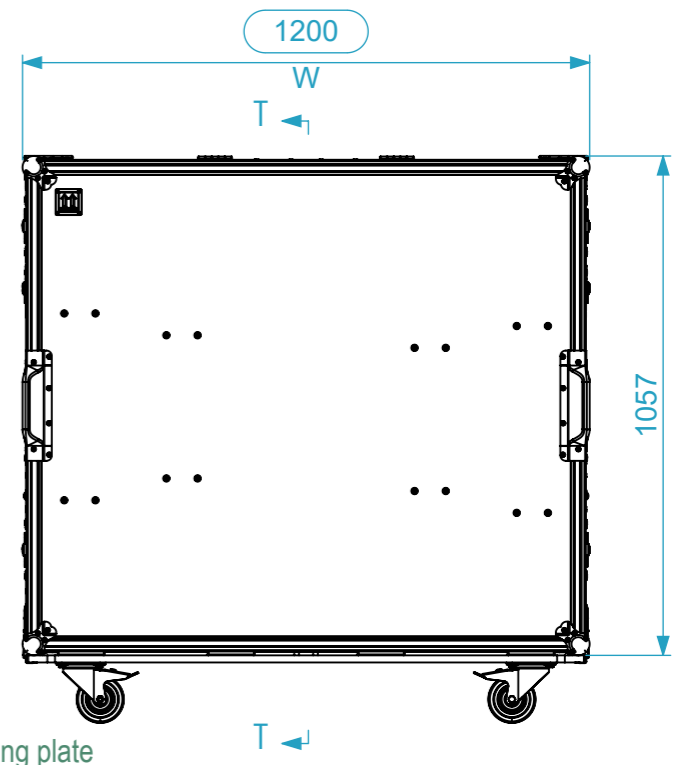
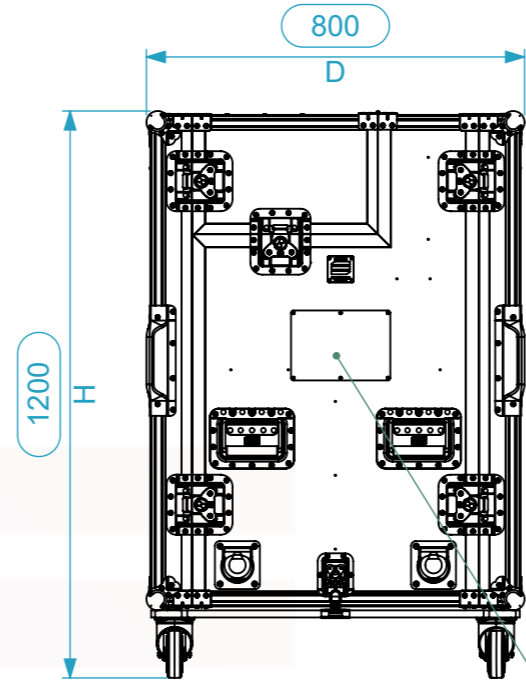
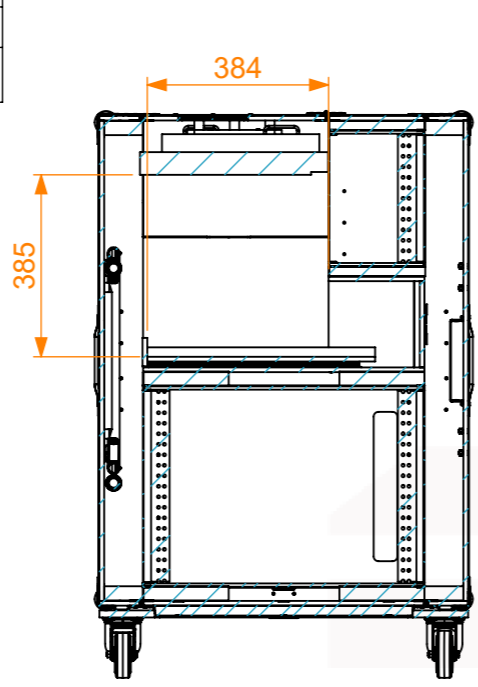
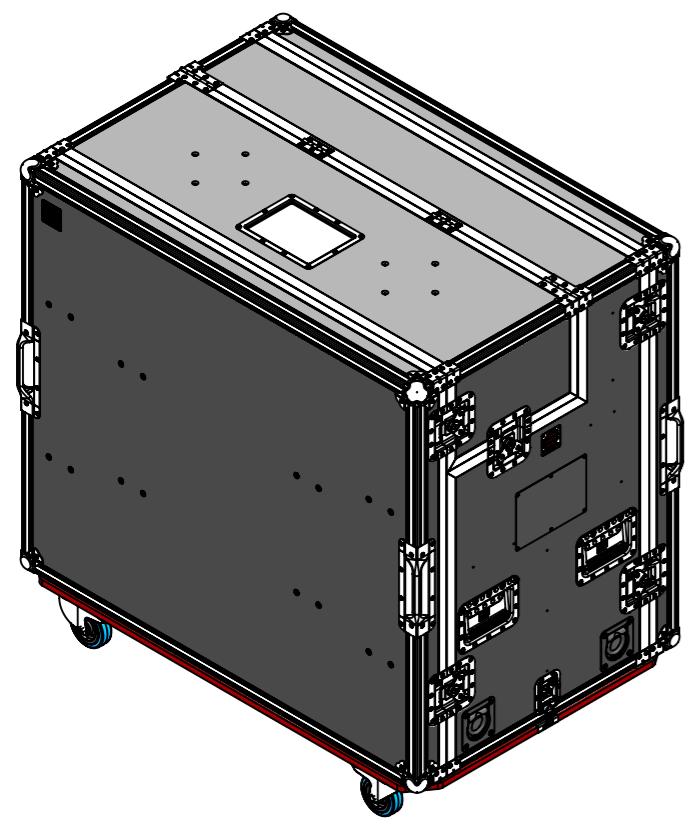


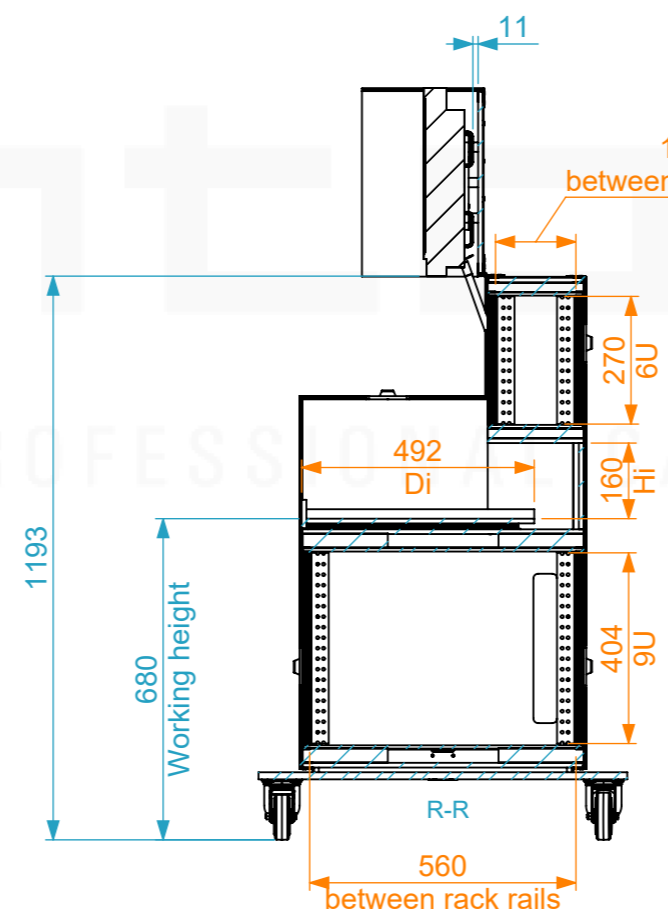
Internal Dimensions		
Width	Depth	Height
2 x 19"	170 / 560	4 UN / 9 UN
Weight	Approx. 111 Kg	
Wall Thickness	10mm	



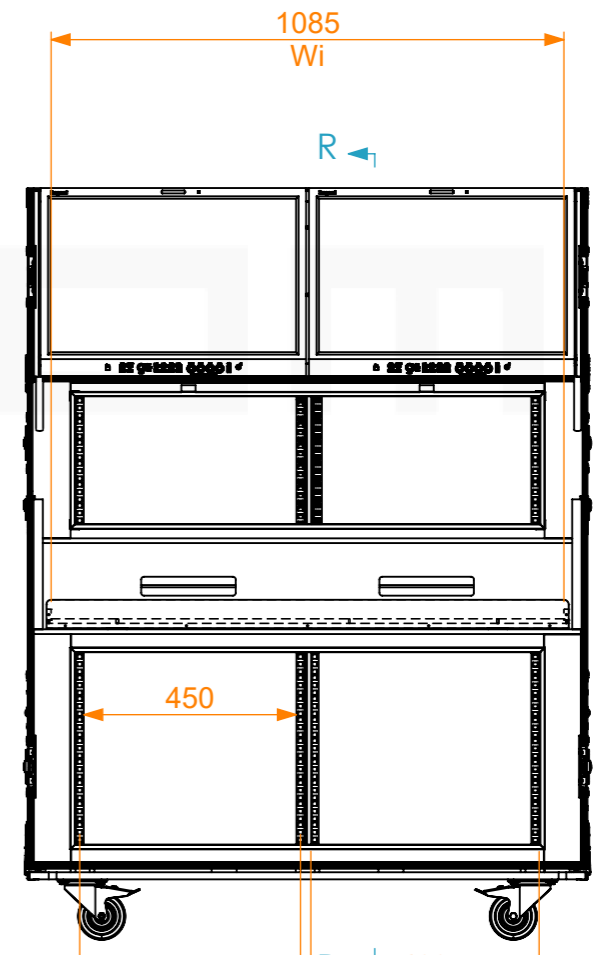
Monitor max. dimensions (WxHxD): 562x398x86 (104 with handles)mm

Drawer

Removable Skate



Optional printing plate



467 Center of cage nuts

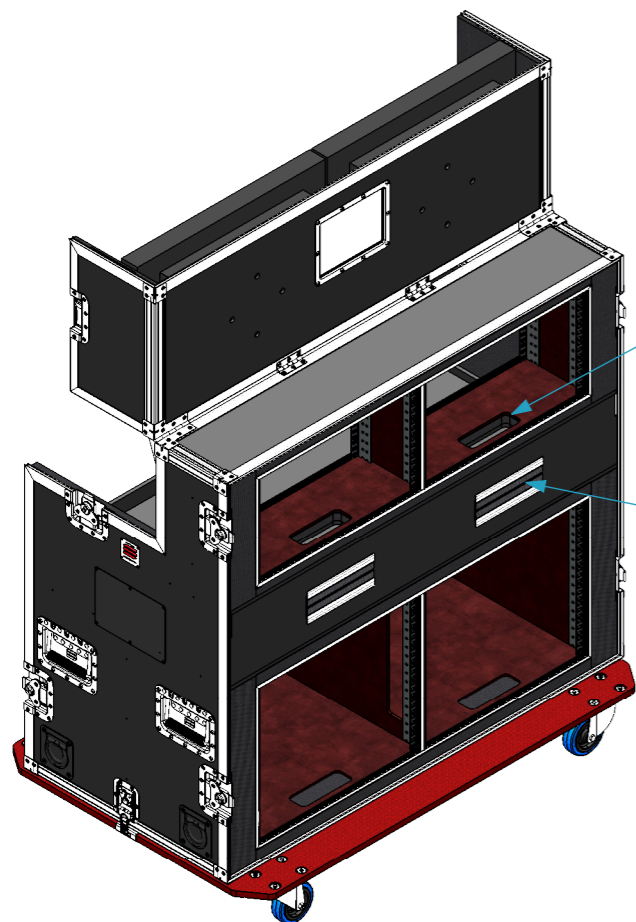
Drawn by	Name	Date
CarlaSilva	CarlaSilva	02/10/2023
Reference	STAT2.12080100	
Scale	units in mm	general tolerance
1:16	DO NOT SCALE	0.8mm
FC. Regie 2x 24" Monitors 2x6u (top)+ rack, 560-BRR 6U		



This drawing must not be copied or disclosed without consent of the owner

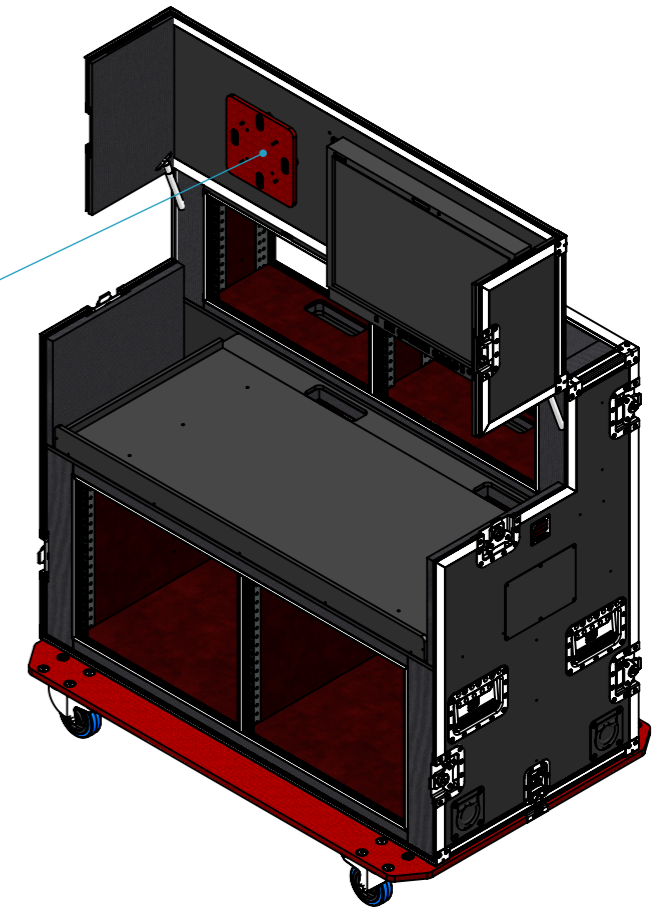
A3



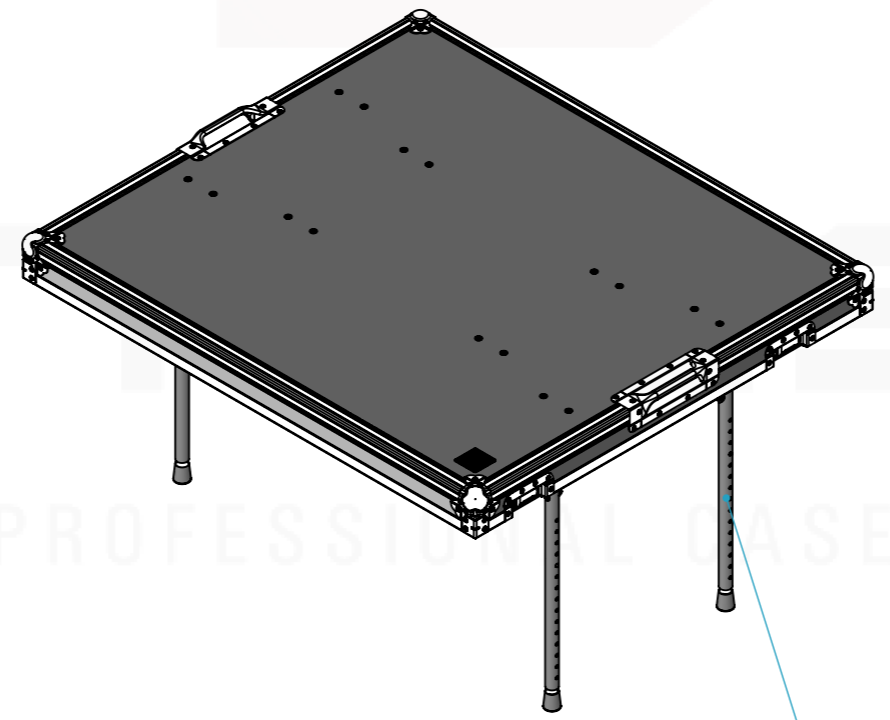


Cutouts for cables

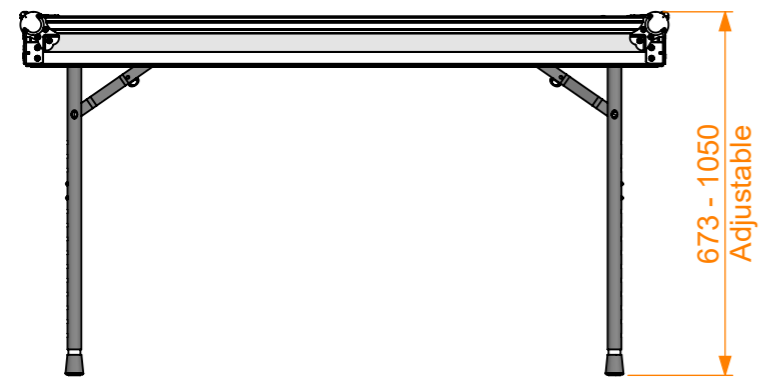
Brush grommet for wire and cable management



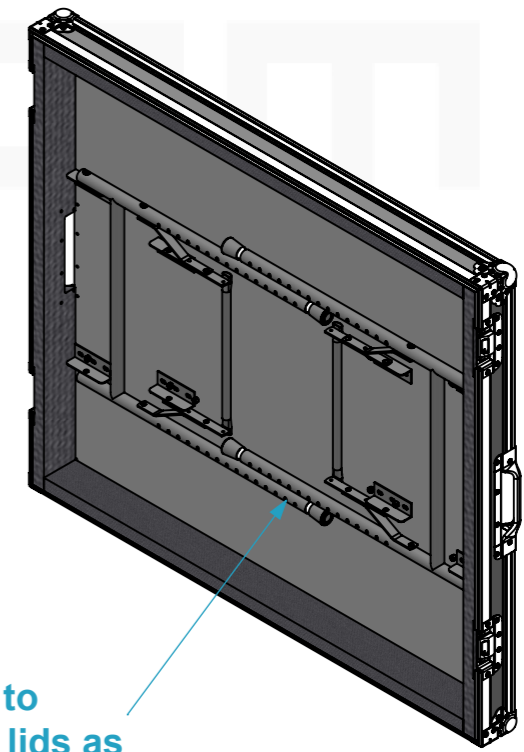
VESA supports with anti-vibration mounts



Telescopic table legs inside to allow using both lids as desks



673 - 1050 Adjustable



Drawn by	Name	Date
CarlaSilva	CarlaSilva	02/10/2023
Reference	STAT2.12080100	
Scale	units in	general tolerance
	mm	0.8mm
FC, Regie 2x 24" Monitors 2x6u (top)+ rack, 560-BRR 6U		



This drawing must not be copied or disclosed without consent of the owner

